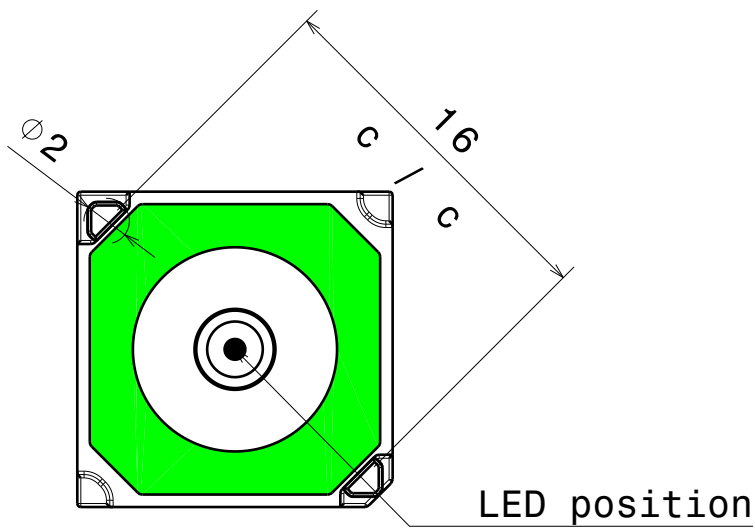
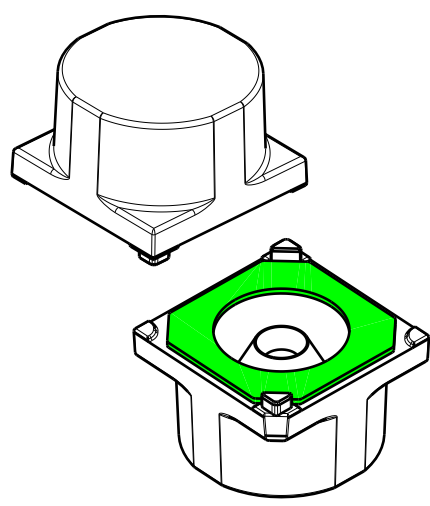


D C B A

4

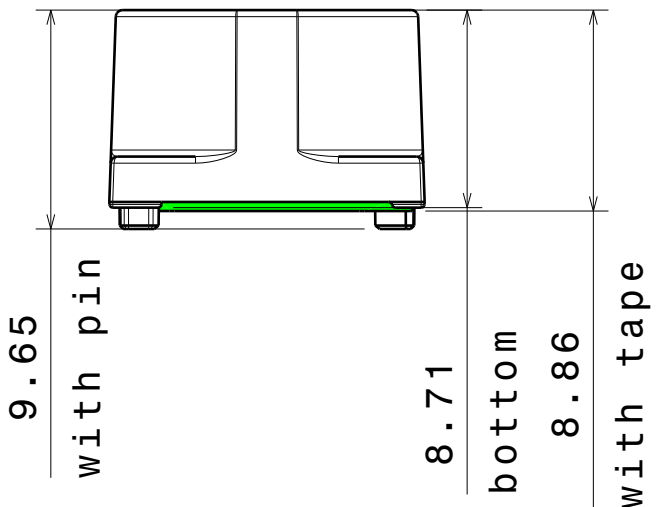


LED position



Isometric view
Scale: 2:1

3

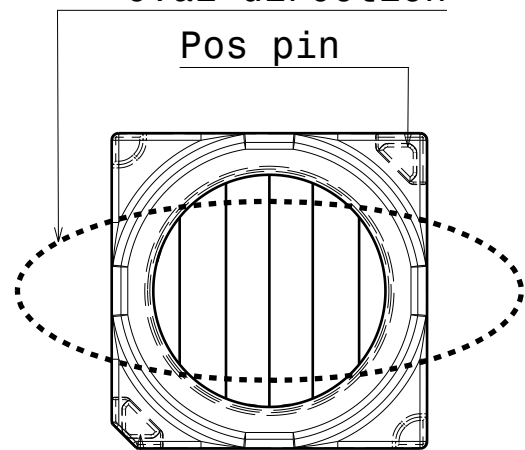


9.65
with pin

8.71
bottom
8.86
with tape

Oval direction

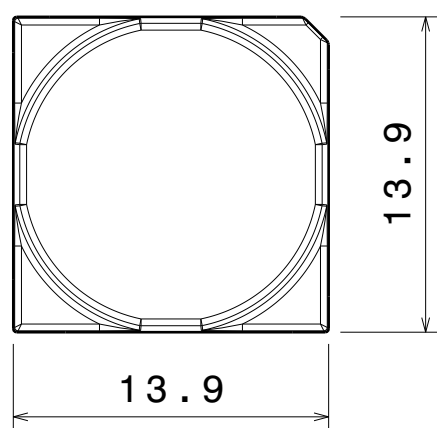
Pos pin



Pos pin

Oval version
TOP VIEW

2



13.9

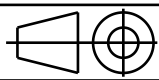
13.9

INDEX	DESCRIPTION
1	VERONICA-SQ-MINI-TAPE
2	VERONICA-SQ-MINI

Tolerances if not otherwise shown
According to DIN ISO 2768-1
Linear measures:
up to 30mm class M, otherwise class C
According to DIN ISO 2768-2
Form and position: class L

LEDiL Ledil Oy
Salorankatu 10
FIN 24240 SALO
Finland

THIRD ANGLE PROJECTION:



DRAWING TITLE
VERONICA-SQ-MINI

This drawing is the property of LEDiL Oy. It may not be reproduced, copied or communicated without a written agreement with LEDiL Oy.

SIZE PART NUMBER
A4 -

SCALE 3:1 WEIGHT SHEET 1/1

1

1

D A