

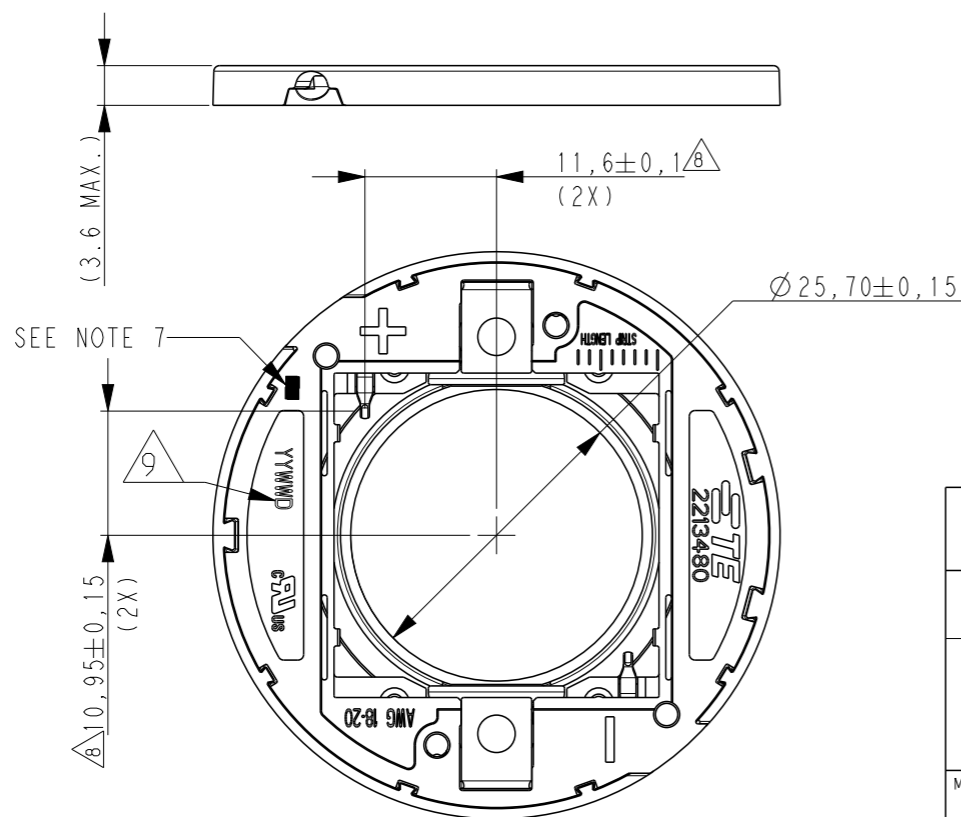
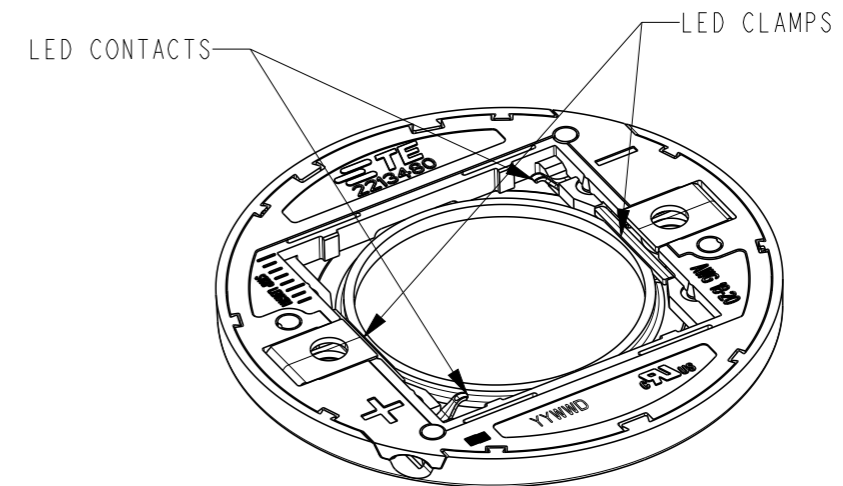
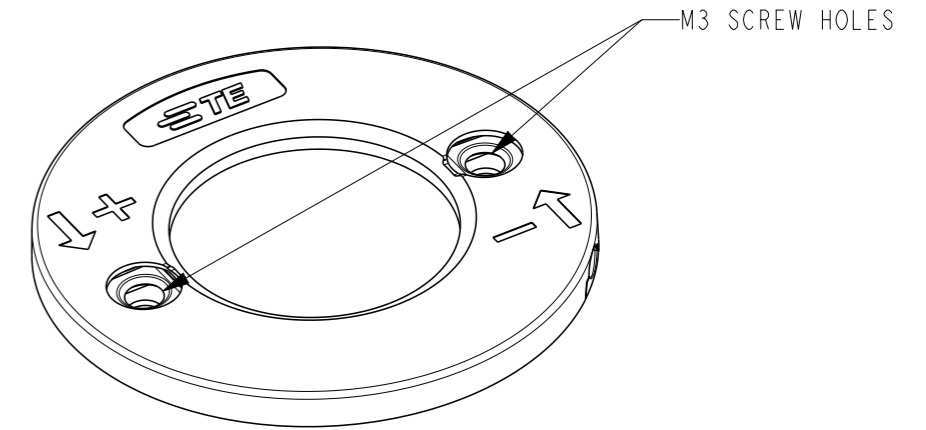
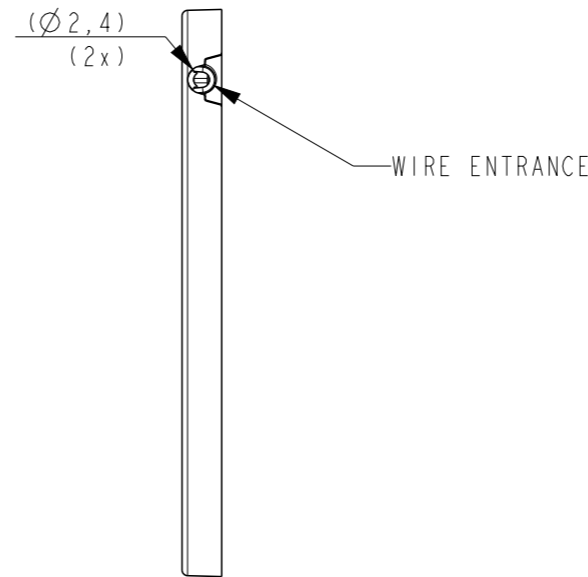
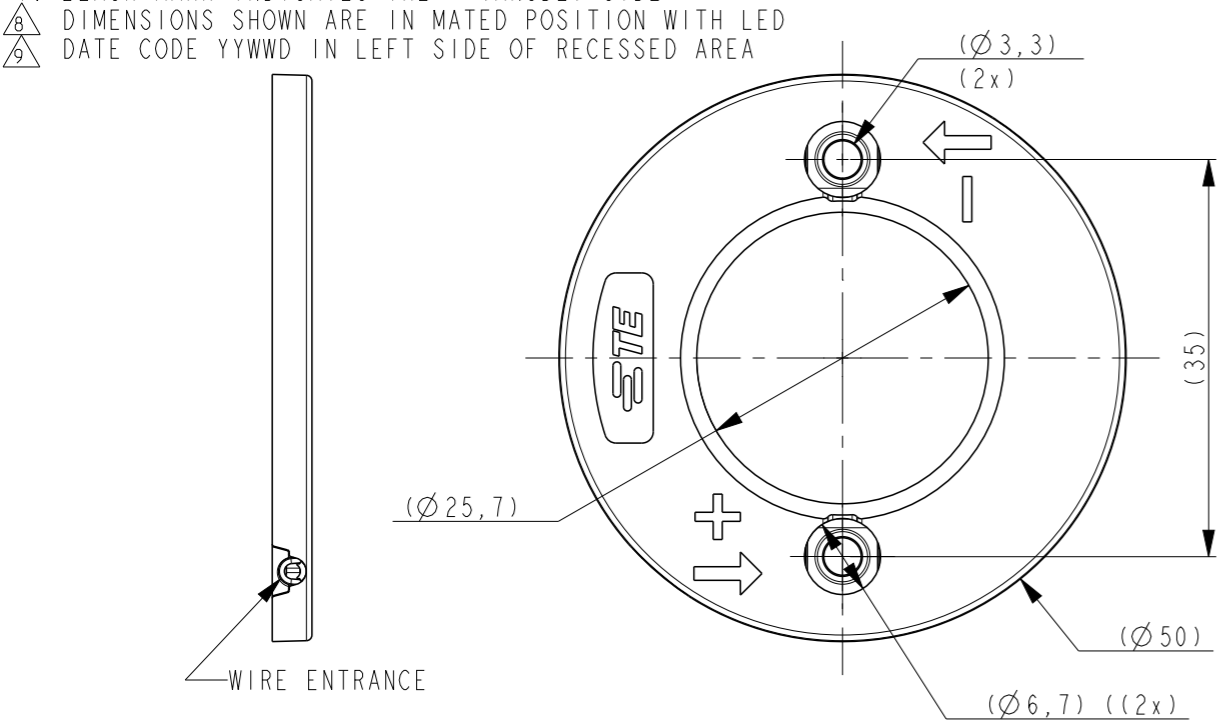
THIS DRAWING IS UNPUBLISHED. RELEASED FOR PUBLICATION

© COPYRIGHT - BY TYCO ELECTRONICS CORPORATION. ALL RIGHTS RESERVED.

LOC	DIST	REVISIONS			
P	LTR	DESCRIPTION	DATE	DWN	APVD
H	-	B	ECR-15-006869	02MAY2015	KR OL
		C	ECR-16-008263	09JUN2016	KR MvE
		C1	ECR-17-000133	05JAN2017	RK MVE
		C2	ADDED RELEASED LEDS	28JAN2017	RK MVE

NOTES:

- MATERIALS:
HOUSING: GLASS FILLED PBT, HALOGEN FREE FLAME RETARDANT
COLOR : WHITE
CONTACTS: GOLD PLATED COPPER ALLOY
 - FOR WIRE TYPES AWG 18 AND 20 AWG.
 - COMPLIES WITH DIRECTIVE 2002/95/EC (ROHS)
 - WIRE STRIP LENGTH: 7-8 mm
 - MAX. WIRE INSULATION OUTER DIAM.: $\varnothing 2.3\text{mm}$.
 - RECOMMENDED SCREW TORQUE: 0.4 - 0.6 Nm.
 - IN ORDER TO CREATE A FLAT OPTIC LANDING ZONE ON HOLDER A COUNTERSUNK SCREW CAN BE USED, I.E. SCREW-TYPE ISO 10642.
 - BLACK MARK INDICATES THE + (ANODE) SIDE
- DIMENSIONS SHOWN ARE IN MATED POSITION WITH LED
DATE CODE YYWW IN LEFT SIDE OF RECESSED AREA



PART NO	DESCRIPTION	PACKAGING
2-2213480-1	Z50 LED HOLDER 2828	2x10 PIECES IN TRAY AND BOX 25 BOXES IN SHIPPING BOX
1-2213480-1	Z50 LED HOLDER 2828	2x10 PIECES IN TRAY AND BOX 25 BOXES IN SHIPPING BOX
2213480-2	LUMAWISE Z50 LED holder 2727 general	2x5 PIECES IN TRAY 56 TRAYS IN SHIPPING BOX
2213480-1	LUMAWISE Z50 LED holder 2828 general	2x5 PIECES IN TRAY 56 TRAYS IN SHIPPING BOX

THIS DRAWING IS A CONTROLLED DOCUMENT.

DWN: 08APRIL2014, P. POORTER
CHK: 08APRIL2014, O. LEIJNSE
APVD: 08APRIL2014, O. LEIJNSE

PRODUCT SPEC: 108-133018
APPLICATION SPEC: 114-133019

WEIGHT: -

Customer Drawing

SCALE: 3:2, SHEET: 1 OF 3, REV: C2

STE TE Connectivity

NAME: LUMAWISE Z50 high performance LED HOLDER

SIZE: A3, CAGE CODE: 00779, DRAWING NO: C-2213480

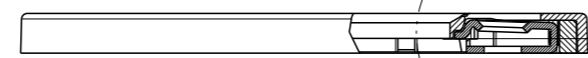
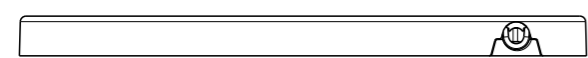
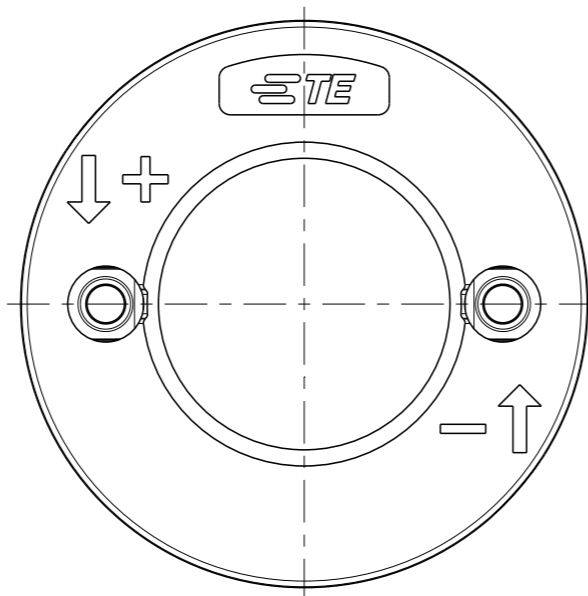
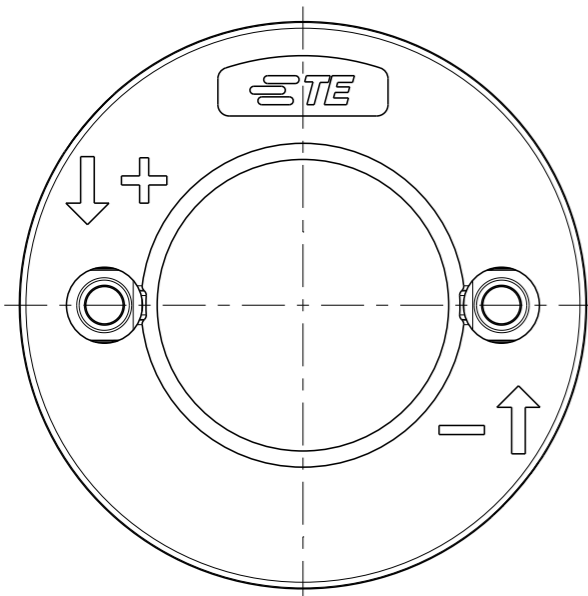
RESTRICTED TO: -

THIS DRAWING IS UNPUBLISHED. RELEASED FOR PUBLICATION
 © COPYRIGHT - BY TYCO ELECTRONICS CORPORATION. ALL RIGHTS RESERVED.

LOC	DIST	REVISIONS			
P	LTR	DESCRIPTION	DATE	DWN	APVD
		SEE SHEET 1			

2213480-1 AS SHOWN

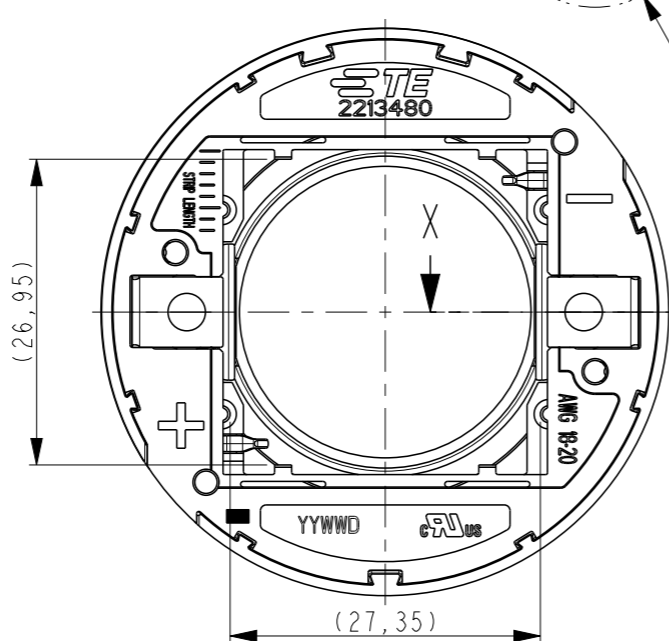
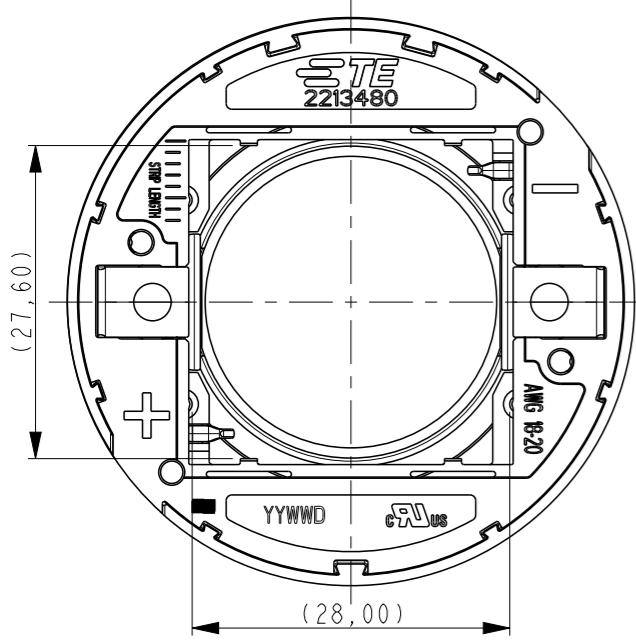
2213480-2 AS SHOWN



SECTION X-X

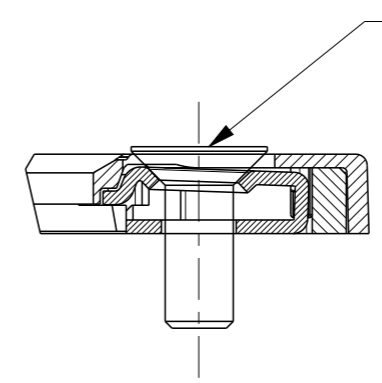
1.2 MAX. LED HEIGHT

SEE DETAIL A



RELEASED LED'S


NAME	DATA SHEET	REVISION	PART NUMBER
LUMINUS CXM-22	PDS-002437	REV 04	2213480-1
CITIZEN	CLU044		
CITIZEN	CLU046		
CITIZEN	CLU730		
CITIZEN	CLL040		
CITIZEN	CLL042		
CITIZEN	CLU730		
LG INNOTEK	LEMWM28C80LZXXXX		
LG INNOTEK	LEMWM28C80HZXXXX		
BRIDGELUX	V22		
EDISON OPTO	2PHM40X		
SEOUL SEMI	SDW05F1C, SDW85F1C, ZC40	REV1.0, JULY 19, 2013	
LUMINUS	CXM-22	PDS-002437 REV 04	
PANASONIC	DMC12CC	PM-VSO / 5	
PANASONIC	DMC 17CC	PM-VSO / 5	
PANASONIC	DMS 150		
PANASONIC	DMS 120		
PANASONIC	DMS12CC40G		
BRIDGELUX	V22C GEN 7 ARRAY	DS103 REV. C (07/2016)	



DETAIL A
SCALE 3:1

SEE NOTE 6.

THIS DRAWING IS A CONTROLLED DOCUMENT.

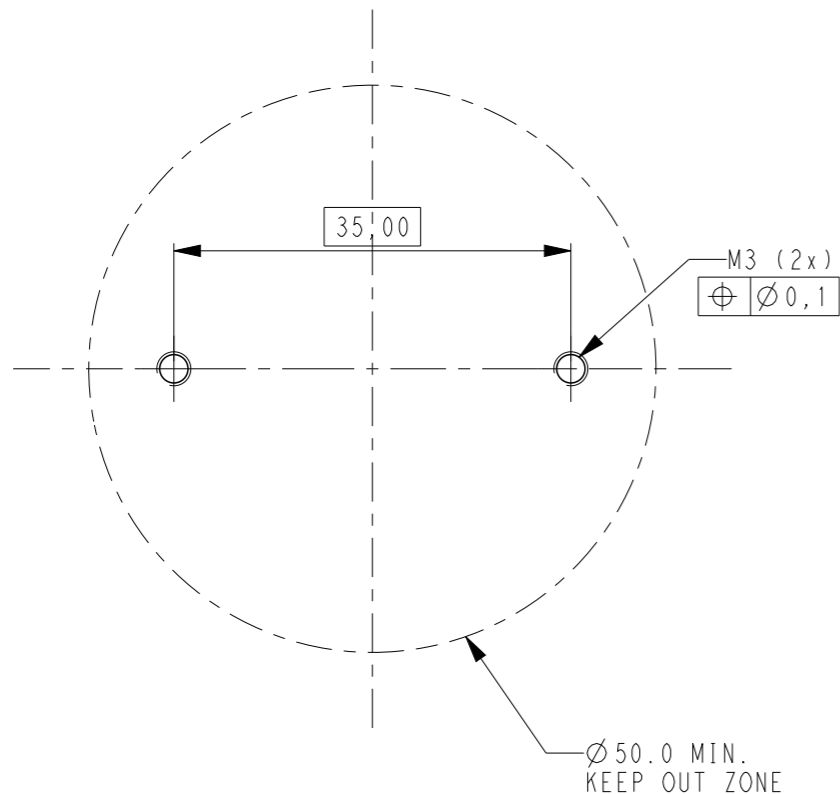
DIMENSIONS: mm	TOLERANCES UNLESS OTHERWISE SPECIFIED: 0 PLC ±- 1 PLC ±- 2 PLC ±- 3 PLC ±- 4 PLC ±- ANGLES ±- FINISH	DWN 08APRIL2014 P. POORTER CHK 08APRIL2014 O. LEIJNSE APVD 08APRIL2014 O. LEIJNSE PRODUCT SPEC 108-133018 APPLICATION SPEC 114-133019 WEIGHT -	 TE Connectivity NAME LUMAWISE Z50 high performance LED HOLDER SIZE A3 CAGE CODE 00779 DRAWING NO C-2213480 RESTRICTED TO - SCALE 3:2 SHEET 2 OF 3 REV C2
-------------------	---	--	--

Customer Drawing

THIS DRAWING IS UNPUBLISHED. RELEASED FOR PUBLICATION
 © COPYRIGHT - BY TYCO ELECTRONICS CORPORATION. ALL RIGHTS RESERVED.

LOC	DIST	REVISIONS					
		P	LTR	DESCRIPTION	DATE	DWN	APVD
			-	SEE SHEET 1	-	-	-

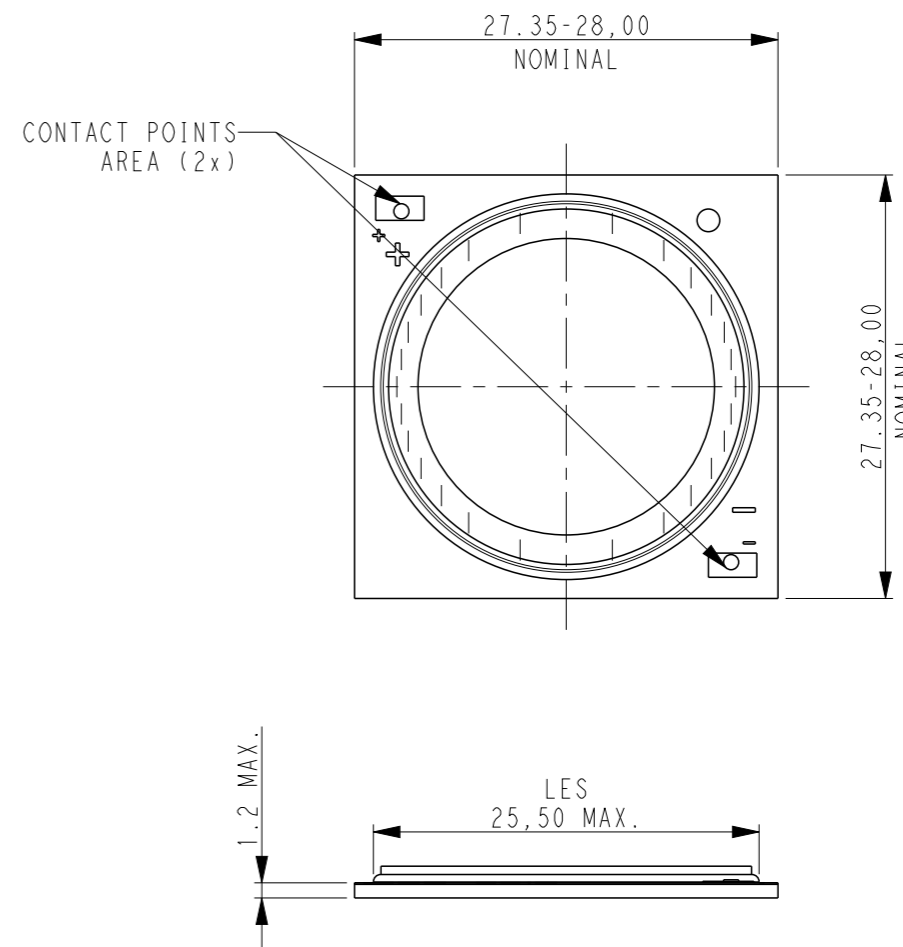
RECOMMENDED DRILLING HOLE PATTERN:



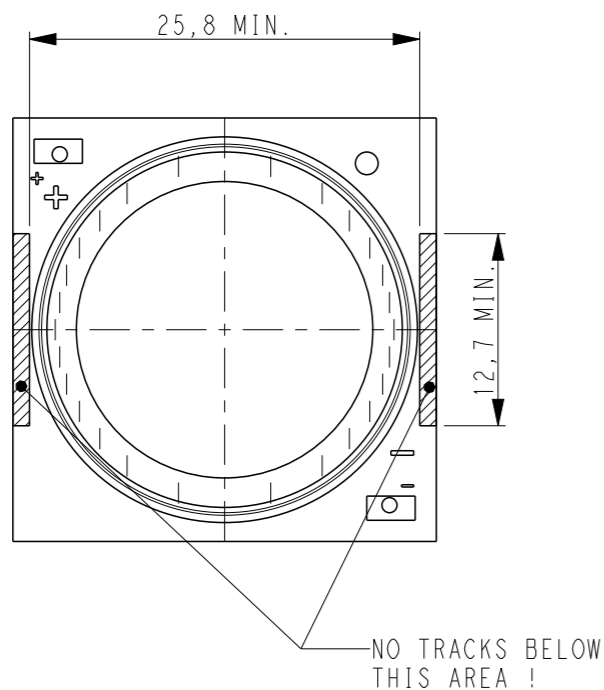
NOMINAL LED INFO:


THE SKETCH BELOW IS SHOWING THE NOMINAL LED COB DIMENSIONS TO MATCH WITH THE Z50 LED HOLDER 2828

FOR TECHNICAL DETAILS ABOUT A PROPER MATCH WITH A SPECIFIC LED COB ARRAY PLEASE CONTACT A REPRESENTATIVE AT TE-CONNECTIVITY



RECOMMENDED KEEP OUT AREA FOR CLAMPING:



THIS DRAWING IS A CONTROLLED DOCUMENT.		DWN P. POORTER 08APRIL2014	 TE Connectivity	
DIMENSIONS: mm		CHK O. LEIJNSE 08APRIL2014		
TOLERANCES UNLESS OTHERWISE SPECIFIED:		APVD O. LEIJNSE 08APRIL2014	NAME LUMAWISE Z50 high performance LED HOLDER	
0 PLC ±- 1 PLC ±- 2 PLC ±- 3 PLC ±- 4 PLC ±- ANGLES ±-		PRODUCT SPEC 108-133018	RESTRICTED TO	
MATERIAL		APPLICATION SPEC 114-133019	SIZE A3	CAGE CODE 00779
FINISH		WEIGHT	DRAWING NO C-2213480	
		Customer Drawing	SCALE 3:2	SHEET 3 OF 3
				REV C2