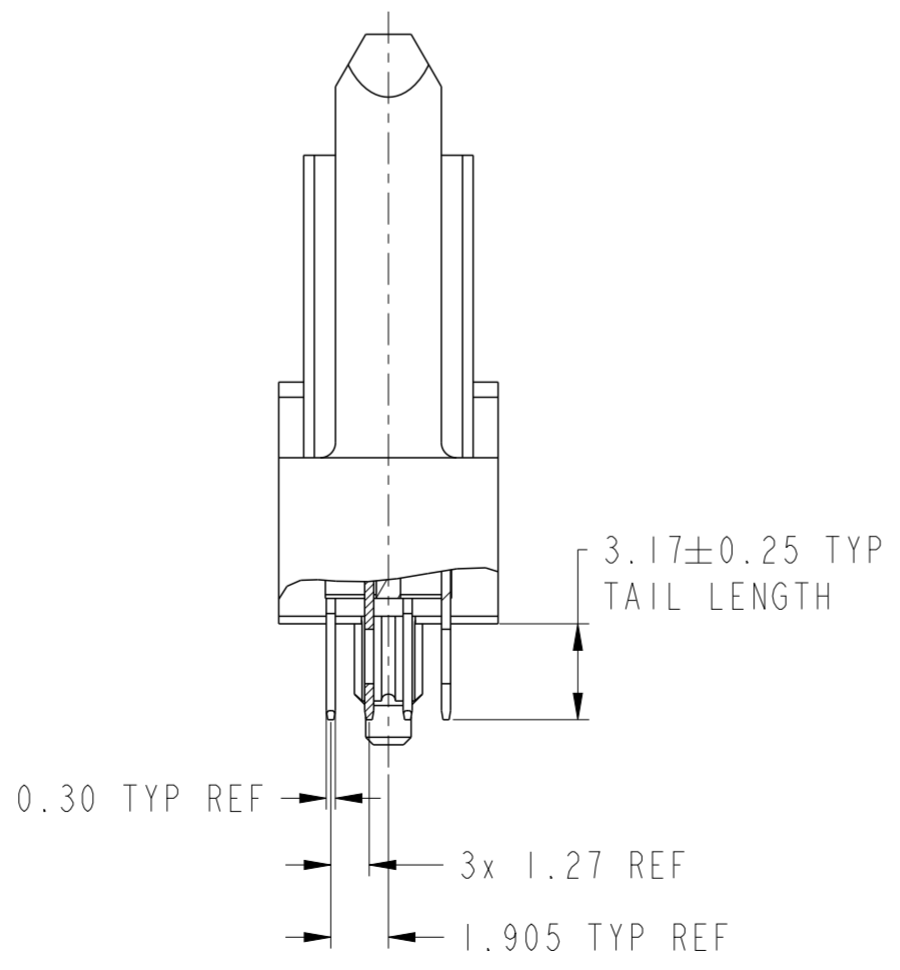


SECTION A-A  
SCALE 4:1

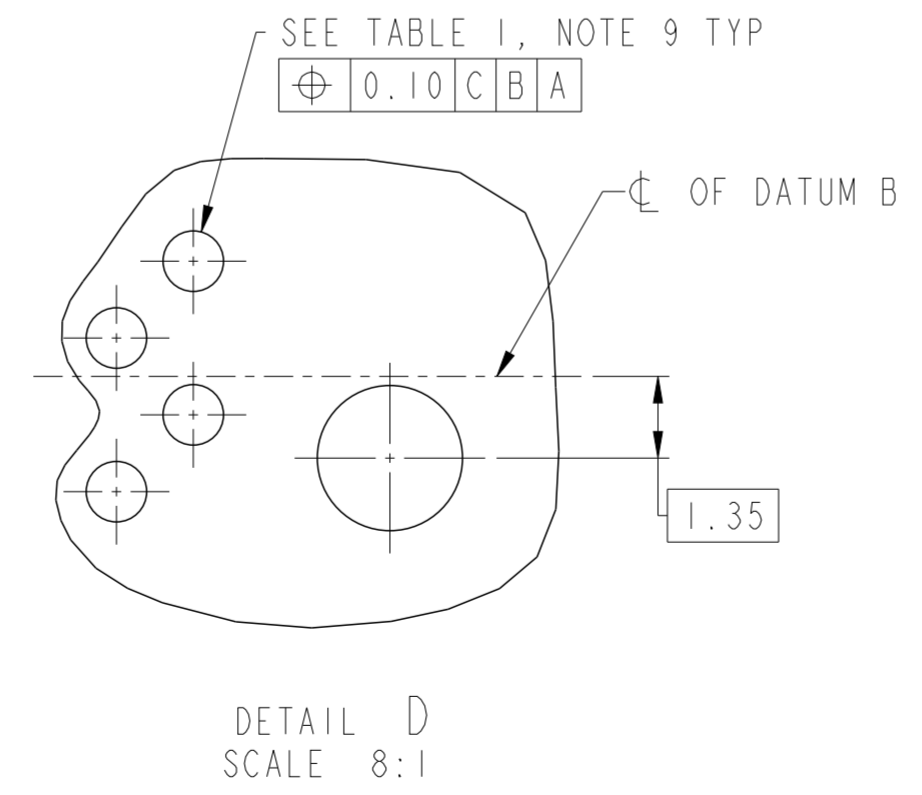
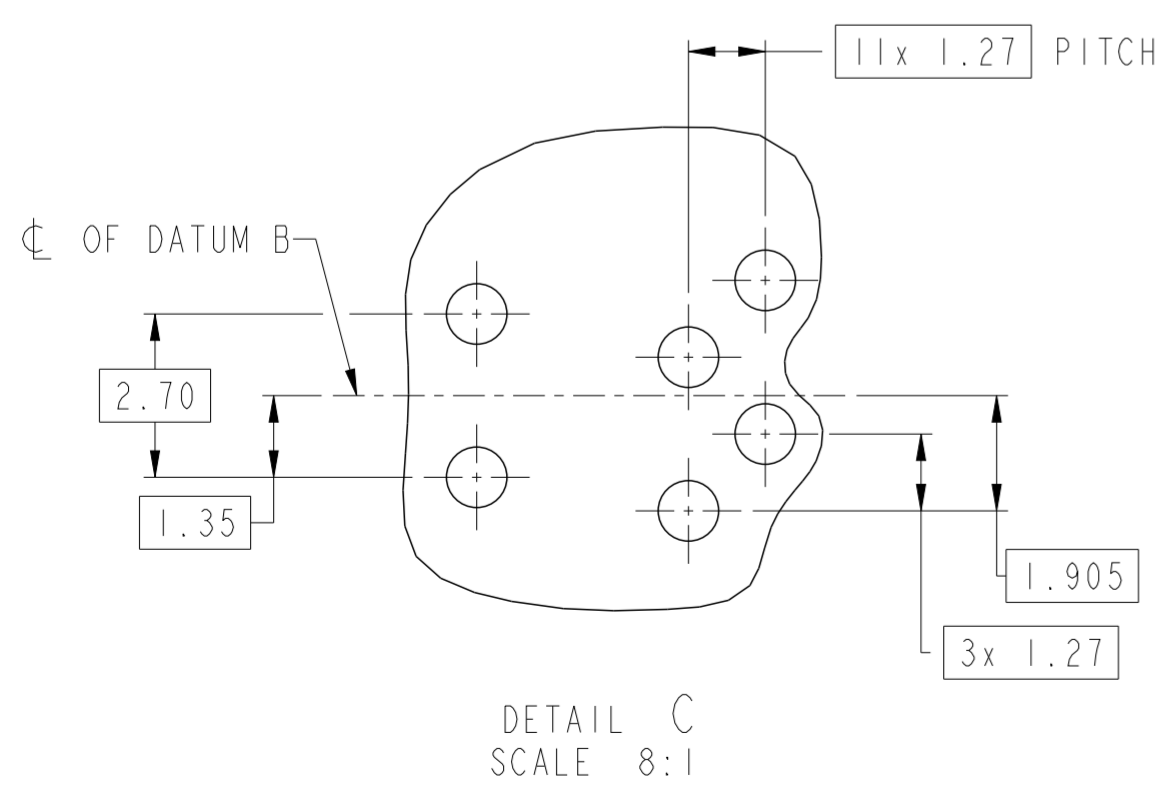
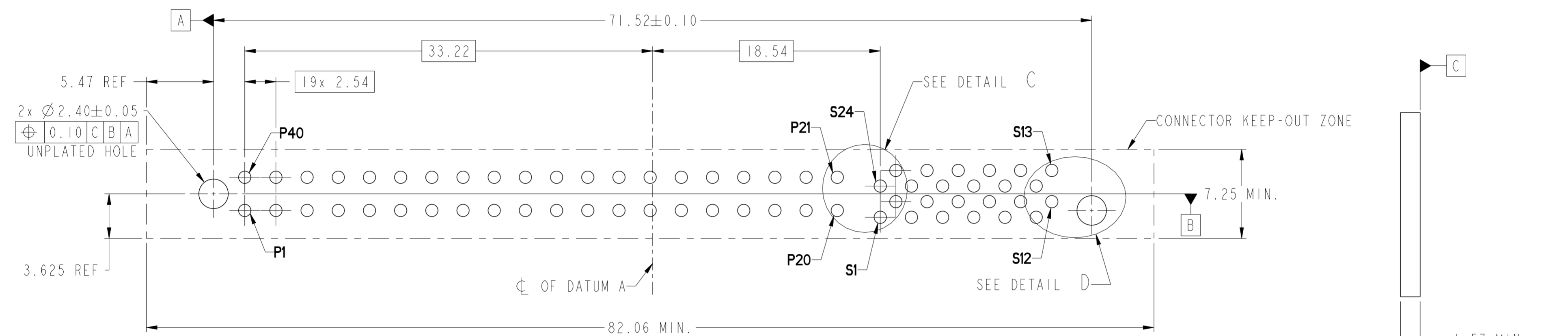


SECTION B-B  
SCALE 4:1

spec ref	dr Daniel Xiao	2013/02/21	projection	MM	size	A2	scale	4:1
tolerance std	eng Julia Wang	2014/01/09			ecn no	-	rel level	Released
ISO 406 ISO 1101	chr Eleven Hu	2014/01/08						
surface	linear	0.X	±0.50		title	HPCE BTB VT PF RECEPT W/ GUIDE POST	dwg no	10124393
		0.XX	±0.25					
ISO 1302	angular	0°	±2°	www.fci.com	cat. no.	Product - Customer Drw	sheet 1 of 3	rev
								A

TABLE I (HPCE / PRESS-FIT TAILS)  
PLATED THROUGH-HOLE REQUIREMENTS

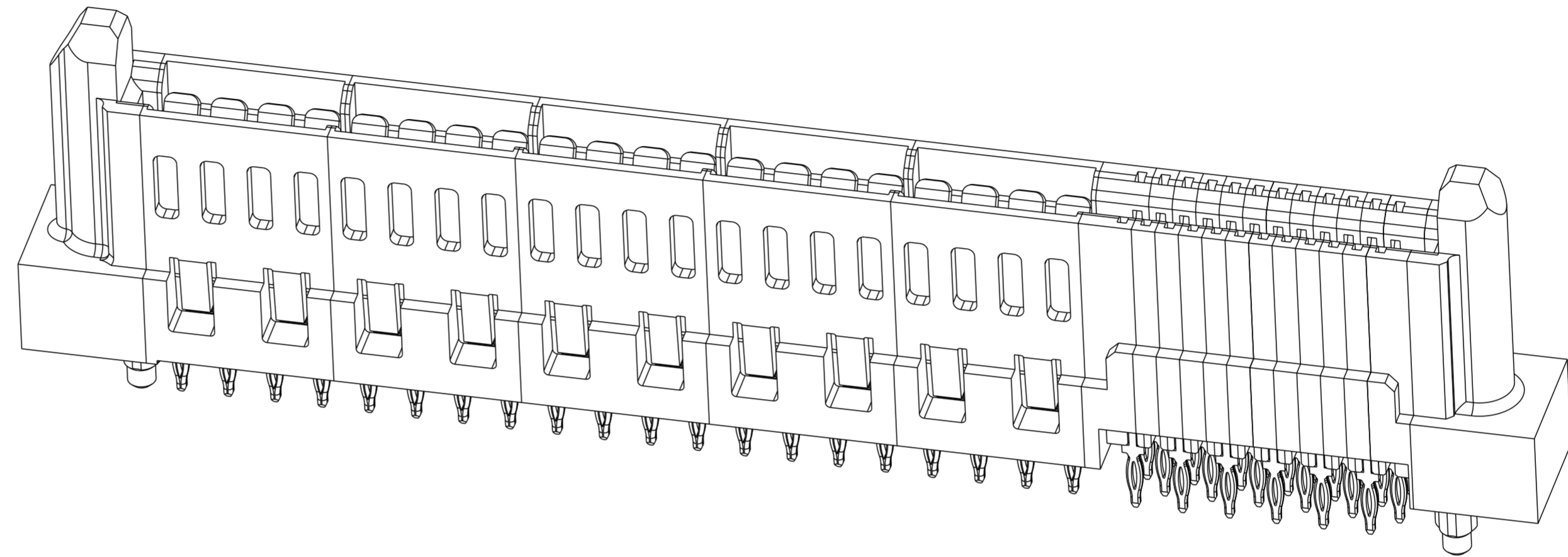
CONTACT TYPE	TOP LAYER DESCRIPTION	DRILLED HOLE DIAMETER	COPPER THICKNESS	TIN-LEAD THICKNESS	TIN THICKNESS	FINISHED HOLE DIAMETER
		POWER & SIGNAL	TIN-LEAD	0.81-0.86 (0.85 DRILL)	0.025 - 0.050	0.005 - 0.015
	IMMERSION TIN	0.81-0.86 (0.85 DRILL)	0.025 - 0.050	--	0.9 - 1.5um	0.70 - 0.80
	COPPER (SEE NOTE 8)	0.81-0.86 (0.85 DRILL)	0.025 - 0.050	--	--	0.70 - 0.80



dr	Daniel Xiao	2013/02/21	projection	MM	size	A2	scale	4:1
eng	Julia Wang	2014/01/09			ecn no	-	rel level	Released
chr	Eleven Hu	2014/01/08						
appr	Pei-Ming Zheng	2014/01/09	product family					
		title	HPCE BTB VT PF RECEIPT W/ GUIDE POST		dwg no	10124393		rev
www.fci.com		cat. no.	Product - Customer Drw		sheet 2 of 3		A	

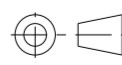
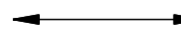

Copyright FCI.

PRODUCT PART NUMBER:  
10124393 - 001LF



NOTES:

1. CONNECTOR MATERIALS:  
     HOUSING: HIGH TEMPERATURE THERMAL PLASTIC, BLACK  
             UL 94V-0 COMPLIANT  
     CONTACTS: HIGH PERFORMANCE COPPER ALLOY.
2. CONTACT FINISH REF. GS-12-1125 SECTION 5.2.
3. PRODUCT SPECIFICATION: GS-12-1125.
4. APPLICATION SPECIFICATION: GS-20-0388.
- ⑤ PRODUCT MARKING (FCI - PART NUMBER & DATE CODE) ON HOUSING IN AREA SHOWN.
6. PACKAGING MEETS FCI SPECIFICATION GS-14-2272.
7. HOUSING COMPONENT WILL WITHSTAND EXPOSURE TO 260°C PEAK TEMPERATURE FOR 60 SECONDS IN A CONVECTION, INFRA-RED, OR VAPOR PHASE REFLOW OVEN.
- ⑧ COPPER PLATING THICKNESS IN CENTER OF VIA-HOLE CAN BE NO MORE THAN 0.003 LESS THAN OTHER AREAS.
- ⑨ ALL HOLE SIZES ARE FINISHED HOLE SIZES.

dr	Daniel Xiao	2013/02/21	projection  MM 	size	A2	scale	4:1
eng	Julia Wang	2014/01/09		ecn no.	-		
chr	Eleven Hu	2014/01/08		product family			
appr	Pei-Ming Zheng	2014/01/09		rel level	Released		
		title HPCE BTB VT PF RECEPT W/ GUIDE POST 40P24S	dwg no. 10124393	rev A			
www.fci.com		cat. no.	Product - Customer Drw		sheet 3 of 3		