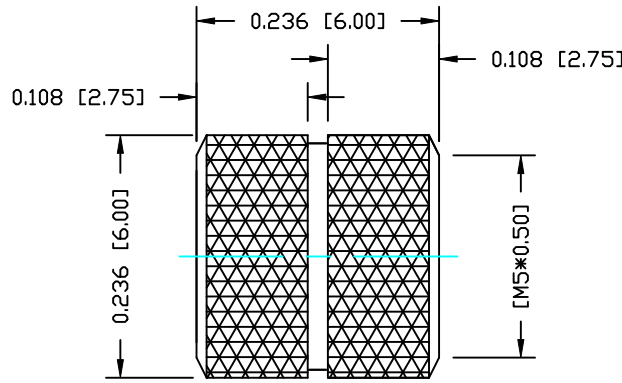
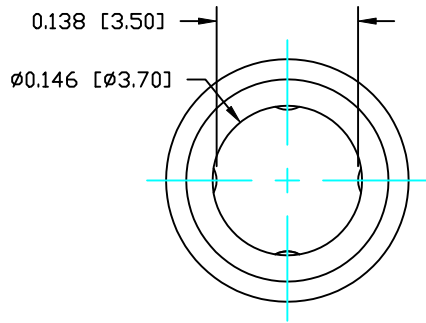
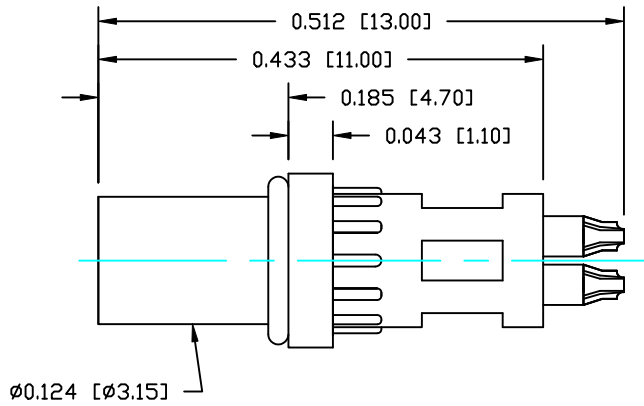
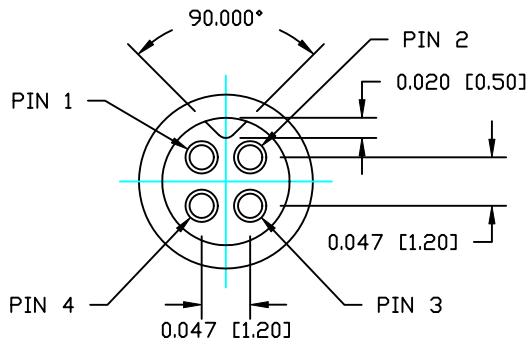


**DESCRIPTION: M5 FEMALE - CABLE MOUNT - SOLDER CUP - 4 POSITION**



NUT

**NOTE:**

**MATERIAL**

HOUSING: TPU, BLACK  
 CONTACT: PHOSPHOR BRONZE  
 NUT: BRASS  
 O-RING: NBR, BLACK

**FINISH**

CONTACT: GOLD PLATED  
 OVER 50μ NICKEL  
 SATIN NICKEL

**ELECTRICAL**

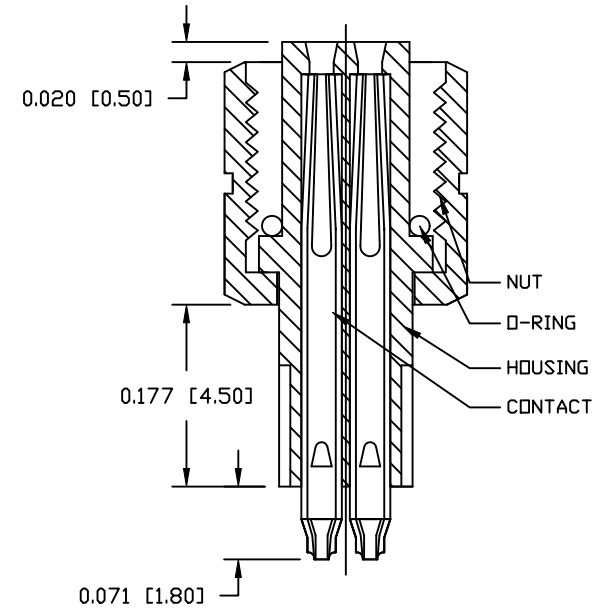
RATED CURRENT: 1A  
 RATED VOLTAGE: 60V  
 INSULATION RESISTANCE: 100 mΩhms MIN.  
 CONTACT RESISTANCE: 10 MΩhms MAX.  
 WATER PROOF: IP67

**ENVIRONMENT**

OPERATION TEMPERATURE: -40°C TO +85°C  
 WIRE GAUGE: 26-28 AWG  
 MATING TORQUE = 1.5 in lbs max.

**850-004-203RLUY**

1 = GOLD FLASH  
 4 = 10μ" GOLD



RoHS COMPLIANT

DO NOT SCALE FROM DRAWING



THESE DRAWINGS AND SPECIFICATIONS ARE THE PROPERTY OF NorComp AND SHALL NOT BE REPRODUCED, COPIED OR USED AS THE BASIS FOR THE MANUFACTURE OR SALE OF APPARATUS WITHOUT WRITTEN PERMISSION.

DRAWN: M.SIGMON

DATE: 03-04-16

CHECKED:

DATE:

**NorComp**

SCALE: NTS

SHEET 1 OF 1

REV 2

DWG NO.

850-004-203RLUY