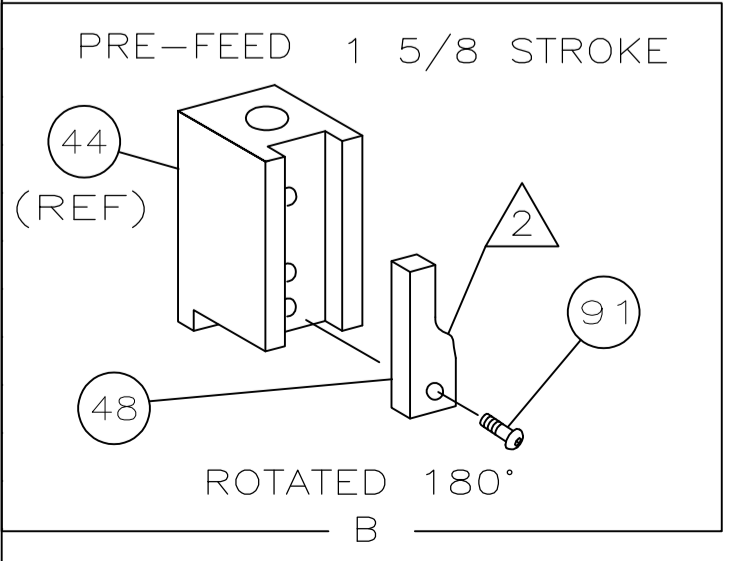
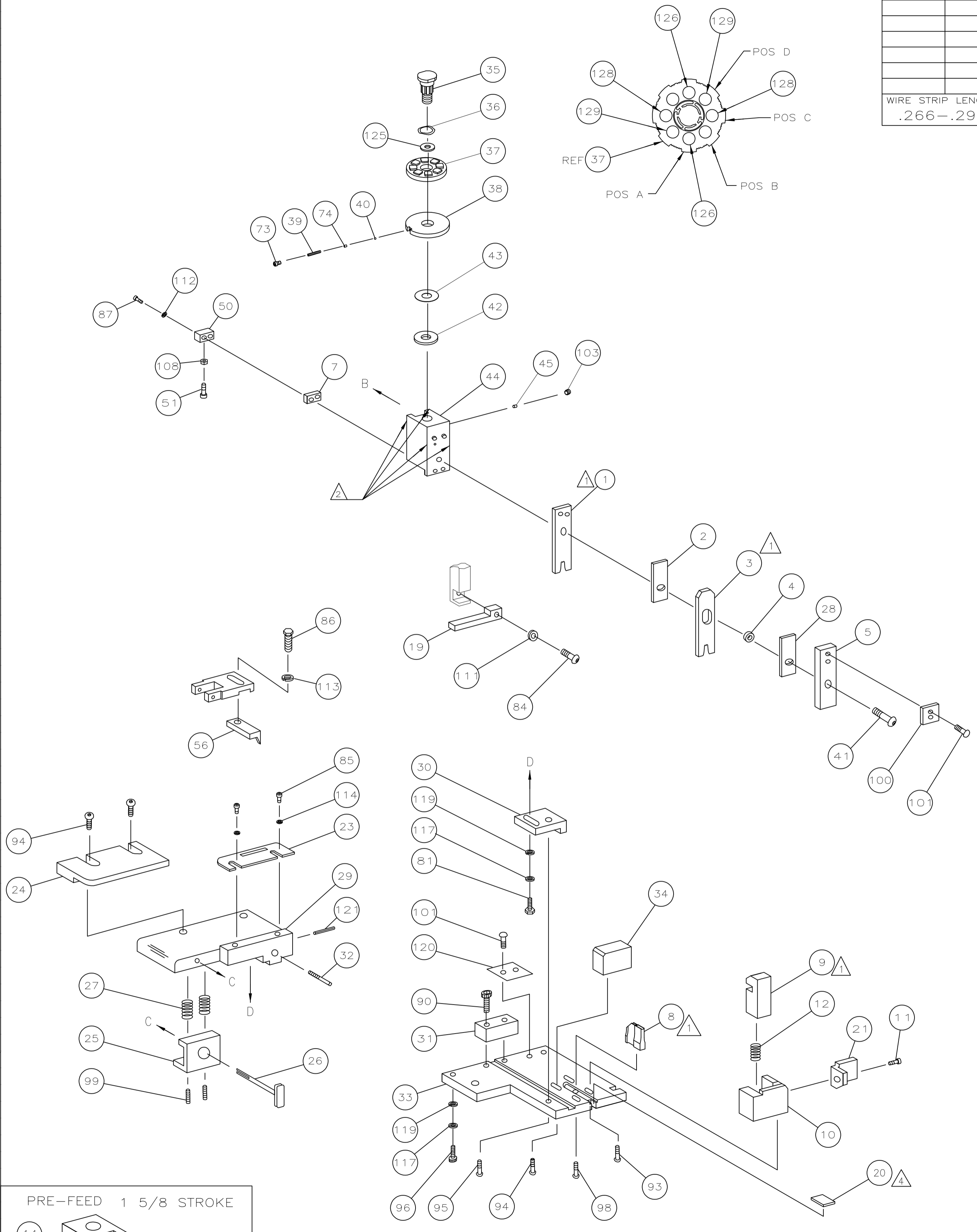


PART NUMBER	REV	FIRST USED
567938-1	B	854040-3

TERMINAL NAME: 227.062		PIN RECEPTACLE	
VISIBLE PAD LTR	CRIMPING DATA	CRIMP HEIGHT	WIRE SIZE
A	.038 ±.002 [0.97 ±0.05mm]		24
B	.037 ±.002 [0.94 ±0.05mm]		26
C	.035 ±.002 [0.89 ±0.05mm]		29 or 28
D	NOT USED		
CRIMP SIZE		TYPE	RANGE
WIRE .055 [1.40mm]		F	29-24
INSUL .100 [2.54mm]		F	.040-.060
WIRE STRIP LENGTH	TERM APPL SPEC	FEED	APPL INSTRUCTION
.266-.297	114-2083	.310	SEE CUSTOMER MANUAL
SET UP GAGE	LAYOUT		
NONE	L1950		

LOC	DIST	REVISIONS			
F	LTR	DESCRIPTION	DATE	BY	APPV
A	66	ECR-08-016421	8-2008	MY	TE



- 1 RECOMMENDED SPARE PARTS.
- 2 GREASE LIGHTLY.
- 3 ITEM NOT SHOWN
- 4 ATTACH ITEM 20 TO ITEM 33 USING ADHESIVE PART NUMBER 28998-6.
- 5 CUT TO LENGTH IF NECESSARY.

2	-	4-354779-5	PIN, WIRE DISC (.3215)D	129
2	-	4-354779-3	PIN, WIRE DISC (.3205)C	128
				127
2	-	4-354779-9	PIN, WIRE DISC (.3235)A	126
1	-	986950-1	WASHER, FLAT PRECISION	125
1	-	217238-3	GENERAL INSTRUCTION PACKAGE	124
				123
				122
1	-	4-21028-0	PIN,SLT SPR(Ø.093x.75)ST GDE PL	121
1	-	690701-2	PLATE, SERIAL NO.	120
2	-	21899-2	WASHER,FLAT(#10)S G ADJ BLK	119
				118
2	-	21024-5	WASHER, LOCK(#10)ADJ BLOCK	117
				116
				115
2	-	21024-2	WASHER,LOCK(#4)FRONT STP GUIDE	114
REF	-	21024-4	WASHER,LOCK(#8)FEED FINGER	113
2	-	21024-4	WASHER,LOCK(#8)DEP-HOLD	112
REF	-	21024-4	WASHER,LOCK(#8)STRIPPER	111
				110
				109
1	-	21018-5	NUT,HEX(#6)HOLD DOWN	108
				107
				106
				105
				104
1	-	21009-2	SCR,SKT SET(1/4-20x.25 LW)RAM	103
				102
4	-	21017-2	SCR,DRIVE(#2x.19)ID PLATE	101
1	-	819347-1	PLATE, IDENTIFICATION	100
2	-	5-21006-6	SCR,SET(10-32x.75)DRAG	99
1	-	22733-8	SCR,BHC(8-32x.38 LW)ANVIL	98
				97
1	-	3-21000-8	SCR,SHC(10-32x.88)MOUNTING	96
1	-	2-21002-7	SCR,BHC(10-32x.50)SG ADJ BLK	95
4	-	2-21002-2	SCR,BHC(8-32x.50)SHEAR-TERM SUP	94
2	-	2-21002-1	SCR,BHC(8-32x.38)SHEAR HOLDER	93
				92
1	-	1-21002-7	SCR,SHC(6-32x.50)CAM	91
2	-	2-21000-7	SCR,SHC(8-32x.50)SCR BLK	90
				89
				88
2	-	2-21000-7	SCR,SHC(8-32x.48)DEP-HOLD DOWN	87
REF	-	2-22603-0	SCR,HEX HD(8-32x.31)FEED FINGER	86
2	-	1-21000-3	SCR,SHC(4-40x.25)F ST GUIDE	85
REF	-	22733-9	SCR,BHC(8-32x.50 SL)STRIPPER	84
				83
				82
1	-	3-22603-1	SCR,HEX(10-32x.38)SG ADJ BL	81
				80
				79
				78
2	-	463310-8	BLADE, STRIPPING (#26)	77
				76
				75
1	-	690603-1	SPRING, ASSIST	74
1	-	23030-1	SCR,SKT CAP(6-32x.25)CP DSC	73
				72
				71
-1	U/M	PART NO	DESCRIPTION	ITEM NO

SIM TO HDM NONE				
QTY REQD PER ASSY	PART NO	DESCRIPTION	ITEM NO	
				70
				69
				68
				67
				66
				65
				64
				63
				62
				61
				60
				59
				58
				57
REF	-	694433-8	PAWL, FEED	56
				55
				54
				53
				52
1	-	811242-2	BUMPER, HOLDDOWN	51
1	-	690753-1	SPACER, TONKER	50
				49
1	-	690602-6	CAM, PRE-FEED 1.62 STROKE	48
				47
				46
				45
1	-	690191-1	PLUG, NYLON	44
1	-	455673-1	RAM	43
1	-	690125-1	WASHER, LAMINATED	42
1	-	690124-9	WASHER, RAM	41
1	-	7-21002-9	BOLT, CRIMPER(5/16x1.00)	40
1	-	23241-6	BALL, STEEL	39
1	-	690170-1	SPRING, COMPRESSION	38
1	-	690142-1	DISC, INSULATION	37
1	-	354777-1	WIRE DISC, PLASTIC	36
1	-	22480-5	WASHER, SPRING	35
1	-	690212-1	POST, RAM	34
1	-	692776-1	SUPPORT, TERMINAL	33
1	-	462544-1	PLATE, BASE SPECIAL	32
1	-	690432-3	SCREW, ADJUSTMENT	31
1	-	462543-1	BLOCK, SCREW SPECIAL	30
1	-	455689-1	BLOCK, STRIP GUIDE ADJ	29
1	-	455671-1	PLATE, STRIP GUIDE	28
1	-	455888-6	SPACER, FRONT SHEAR DEP	27
2	-	1-22284-0	SPRING, DRAG	26
1	-	690546-1	LEVER, DRAG RELEASE	25
1	-	240792-1	DRAG, TERMINAL	24
1	-	7-690504-3	GUIDE, STRIP (REAR)	23
1	-	690438-1	GUIDE, STRIP (FRONT)	22
				21
1	-	463756-1	GUIDE, SCRAP	20
1	-	904275-1	SUPPORT, SPRING	19
1	-	462615-5	STRIPPER	18
				17
				16
				15
				14
				13
1	-	6-22279-4	SPRING, SHEAR	12
1	-	1-690461-6	STOP, SHEAR (FRONT)	11
1	-	462548-3	HOLDER, SHEAR (FRONT) SP	10
1	-	462547-3	SHEAR, FLOAT (FRONT) SP	9
1	-	662183-3	ANVIL	8
1	-	1-240641-3	SPACER, DEPRESSOR (REAR)	7
				6
1	-	462838-1	DEPRESSOR, SHEAR (FRONT) SP	5
1	-	2-238011-2	SPACER, BLOCK CRIMPER	4
1	-	4-456134-8	CRIMPER, INSULATION	3
1	-	455888-8	SPACER, CRIMPER	2
1	-	5-458141-4	CRIMPER, WIRE	1
-1	U/M	PART NO	DESCRIPTION	ITEM NO

THIS DRAWING IS A CONTROLLED DOCUMENT.

APPROVED: C. ERISMAN, 17JUN97

DESIGNED: T. ELBIN, 17JUN97

NAME: STRIPPER CRIMPER APPLICATOR

SIZE: A1

SCALE: 1 OF 1

REV: B