

THIS DRAWING IS UNPUBLISHED.

RELEASED FOR PUBLICATION

ALL RIGHTS RESERVED.

© COPYRIGHT BY TYCO ELECTRONICS CORPORATION.

LOC GZ DIST 00

REVISIONS

P	LTR	DESCRIPTION	DATE	DWN	APVD
A		NEW FORMAT & EC0720-0136-04	08MAR04	MD	KH

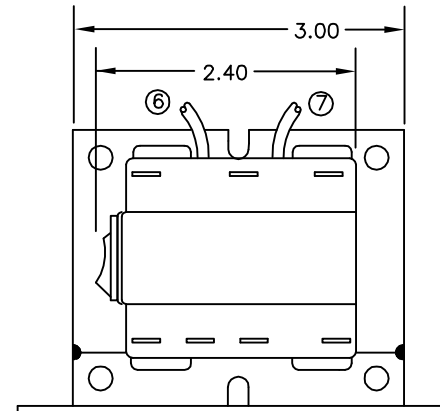
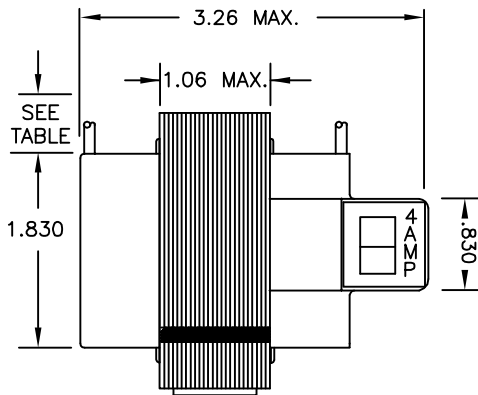
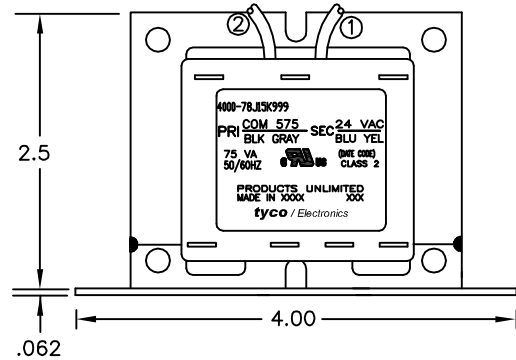
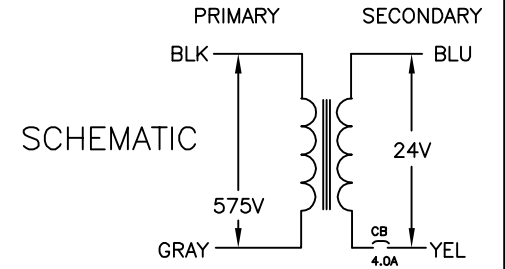
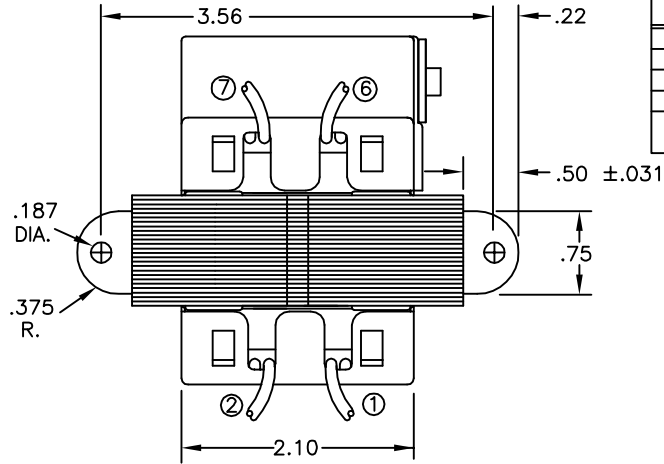
ALL LEADS 18AWG--UNLESS OTHERWISE SPECIFIED

PRIMARY					
LEAD NO.	1	2	3	4	5
VOLTAGE	COM	575			
COLOR	BLK	GRAY			
LENGTH	12.0	12.0			
STRIP LENGTH	.50	.50			

- NOTES
1. DIMENSIONS FOR REFERENCE ONLY.
  2. ALL LEADS +1"/-0" TOL.
  3. STRIP TOL. ±1/32
  4. WINDING PROTECTION-- INTERNALLY PROTECTED--4.0 AMP CIRCUIT BREAKER.

CERTIFICATION: UL & CUL FILE NO. E87824

SECONDARY				
LEAD NO.	6	7	8	9
VOLTAGE	24	VAC		
COLOR	BLU	YEL		
LENGTH	12.0	12.0		
STRIP LENGTH	.50	.50		



CUST. NO.	TYCO PART NUMBER
-	2-1611469-5

THIS DRAWING IS A CONTROLLED DOCUMENT.		DWN M.DAVIS	OBMAR04	Products Tyco Electronics Corporation Harrisburg, Pa 17105-3608
		CHK K.HOLSCHUH	OBMAR04	
		APVD K.HOLSCHUH	OBMAR04	NAME TRANSFORMER OUTLINE
		PRODUCT SPEC		
		APPLICATION SPEC		SIZE A3 CAGE CODE 00779 DRAWING NO C=4000-78J15K999 RESTRICTED TO -
		WEIGHT		
MATERIAL -		FINISH -		SCALE NTS SHEET 1 OF 1 REV A
		CUSTOMER DRAWING		