

4

3

2

1

THIS DRAWING IS UNPUBLISHED.

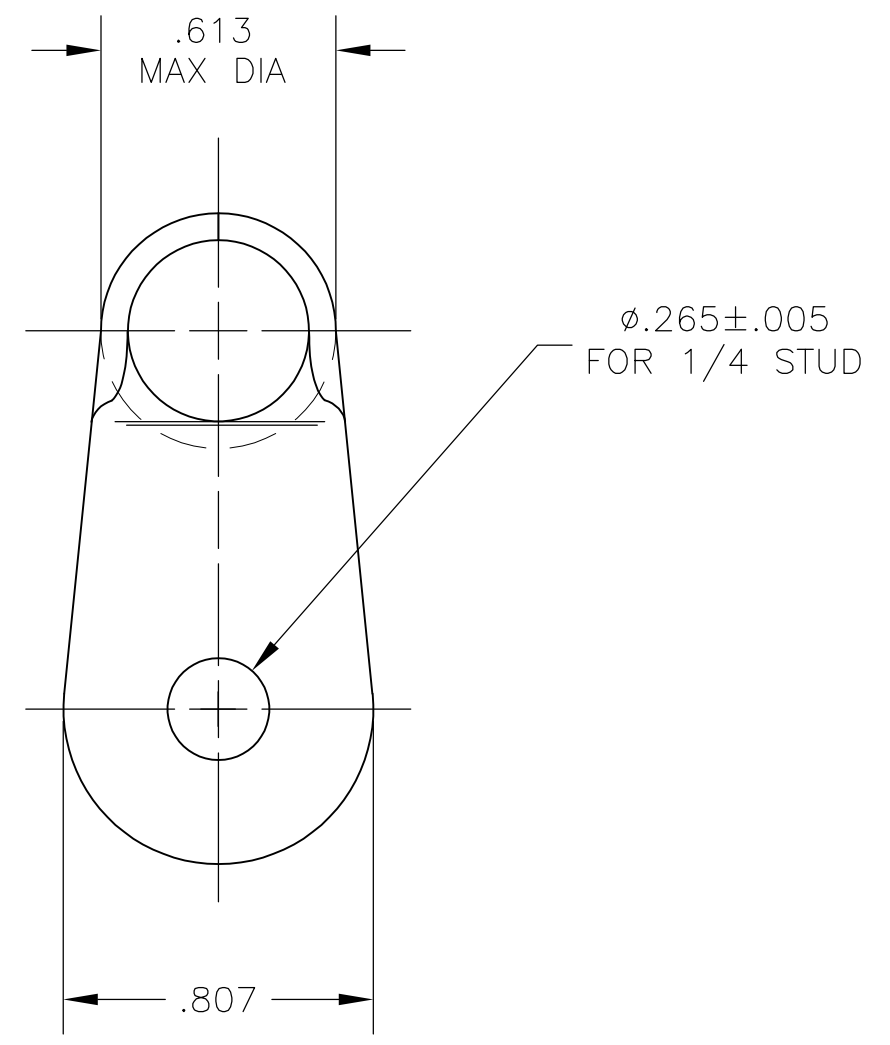
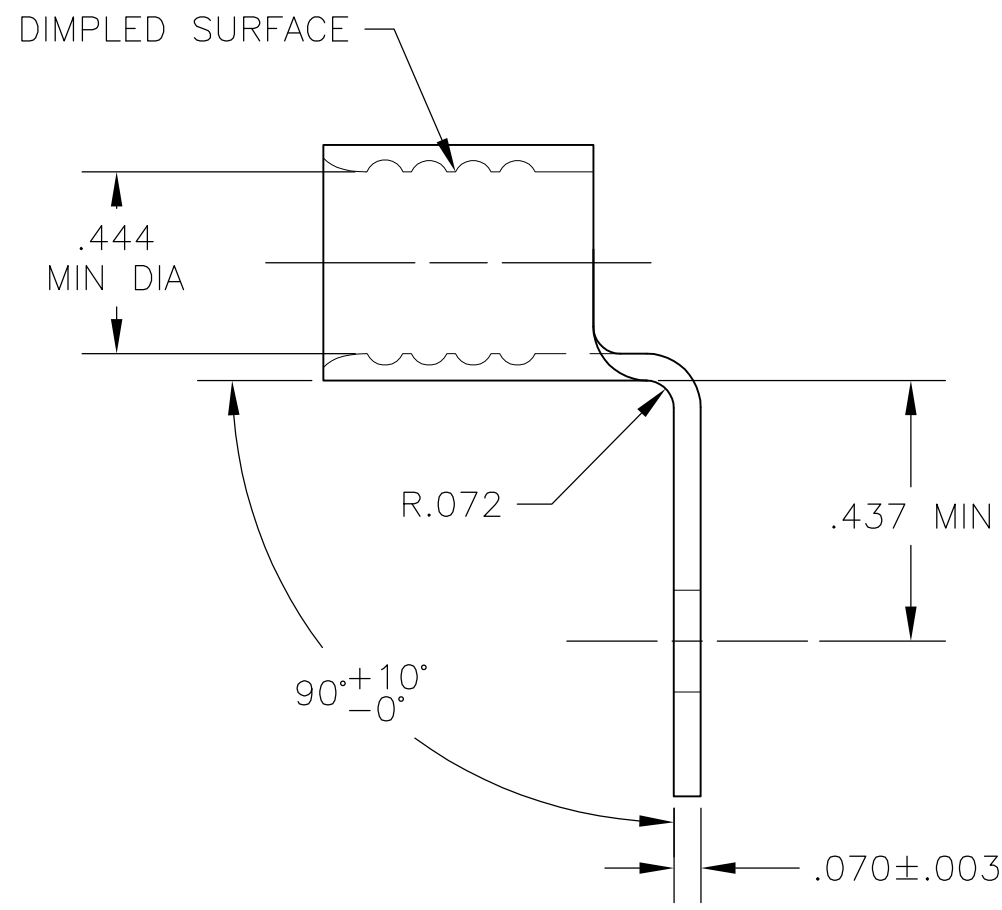
RELEASED FOR PUBLICATION

© COPYRIGHT - By -

ALL RIGHTS RESERVED.

LOC	DIST	REVISIONS			
P	LTR	DESCRIPTION	DATE	DWN	APVD
G	14	C1	REVISED PER ECO-12-006198	30MAR12	KH DR

- △1 COPPER PER ASTM B-152, ANNEALED
- △2 TIN PLATE PER ASTM B-545



322905
PART NO

THIS DRAWING IS A CONTROLLED DOCUMENT.		DWN jr_ruth 07MAY04	TE Connectivity		
DIMENSIONS: INCHES		CHK MJ SPICER 07MAY04			
		APVD MJ SPICER 07MAY04	NAME WIRE TERMINAL SOLISTRAND, RING TONGUE, BENT 90 WIRE SIZ 1/0		
TOLERANCES UNLESS OTHERWISE SPECIFIED:		PRODUCT SPEC	RESTRICTED TO		
0 PLC ± -		APPLICATION SPEC	SIZE	CAGE CODE	DRAWING NO
1 PLC ± -		—	A3	00779	C-322905
2 PLC ± -		—	SCALE 2:1 SHEET 1 OF 1 REV C1		
3 PLC ± .008		—			
4 PLC ± -		—			
ANGLES ± 5°		WEIGHT			
MATERIAL		—	CUSTOMER DRAWING		
FINISH		—			
△1		△2			