



# SERIES RC 1083 SWITCHES

## ROCKER SWITCHES



### FEATURES & BENEFITS

- ▶ 15 amp
- ▶ Snap-in panel mount

### APPLICATIONS/MARKETS

- ▶ Audio/Visual
- ▶ Consumer Electronics
- ▶ Test/instrumentation

### SPECIFICATIONS

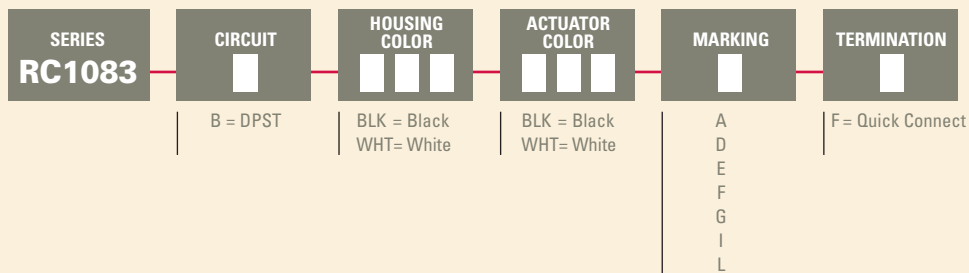
Contact Rating:	12A @ 125 VAC 8A @ 250 VAC (UL, CUL, CSA) 6A @ 250 VAC (S, N, Fi, VDE)
Life Expectancy (Mechanical):	15,000 cycles
Life Expectancy (Electrical):	10,000 cycles
Contact Resistance:	10 mΩ max., initial @ 2-4 VDC
Insulation Resistance:	> 1,000 MΩ
Dielectric Strengths:	> 1,500 volts 1 minute > 3,000 volts between poles
Operating Temperature:	-30° C to 85° C
Safety Standard Approval:	UL, CUL, VDE

### MATERIALS

Body:	Nylon 6/6
Rocker:	Nylon 6/6
Terminal:	Silver plated copper alloy



### HOW TO ORDER



### Example Ordering Number

RC1083-B-BLK-RED-E-F-1

Specifications subject to change without notice.

TACT SWITCHES

NAVIGATION SWITCHES

PUSHBUTTON SWITCHES

TOGGLE SWITCHES

ROCKER SWITCHES

SLIDE SWITCHES

SNAP-ACTION SWITCHES

DIP SWITCHES

KEYLOCK SWITCHES

ROTARY SWITCHES

DETECTOR SWITCHES

CAP OPTIONS



# SERIES RC 1083 SWITCHES

## ROCKER SWITCHES

TACT SWITCHES

NAVIGATION SWITCHES

PUSHBUTTON SWITCHES

TOGGLE SWITCHES

ROCKER SWITCHES

SLIDE SWITCHES

SNAP-ACTION SWITCHES

DIP SWITCHES

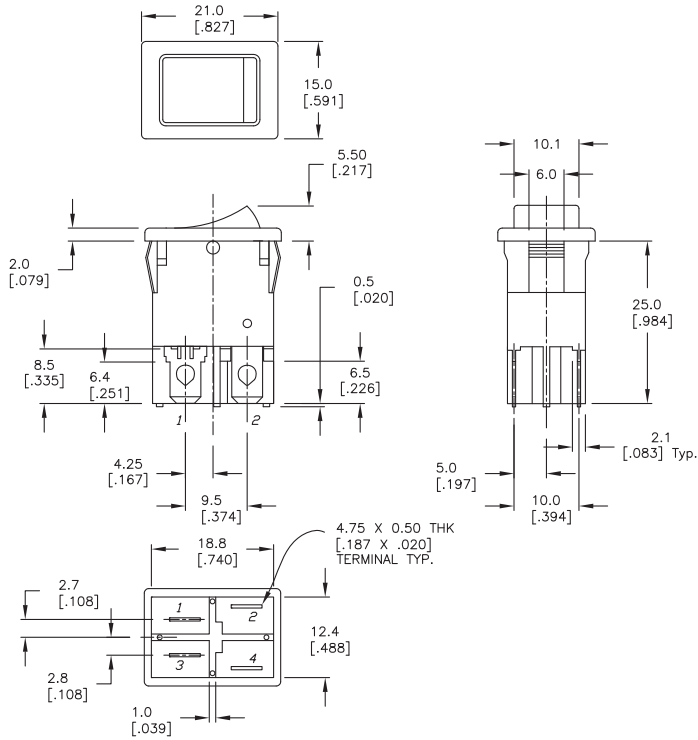
KEYLOCK SWITCHES

ROTARY SWITCHES

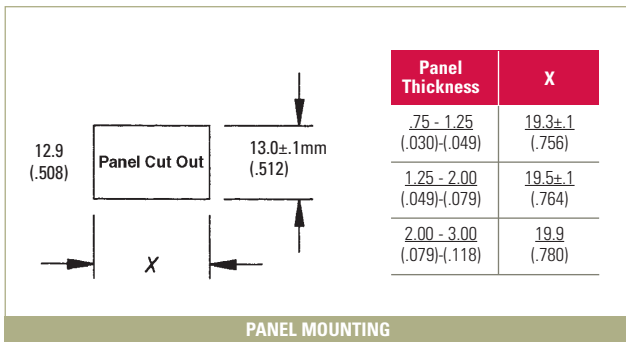
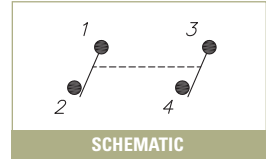
DETECTOR SWITCHES

CAP OPTIONS

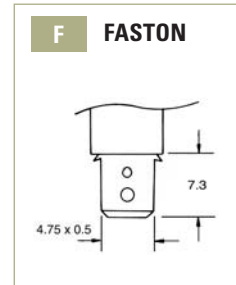
### DPST



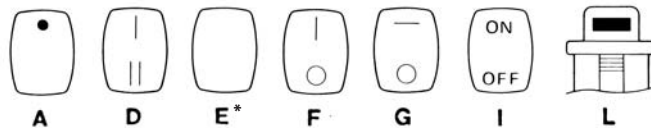
Circuit	POS 1	POS 2
DPST	ON	OFF
Term. Comm.	1-1a 2-2a	OPEN



### TERMINATION OPTIONS



### MARKING OPTIONS



\* 'E' Marking standard for all LED versions.