

SMD CMOS PROGRAMMABLE CRYSTAL OSCILLATOR

AP2S



2.5 x 2.0 x 0.9mm

AP2S

Moisture Sensitivity Level (MSL) –
This product is Hermetically Sealed and
not Moisture Sensitive -MSL = N/A: Not Applicable



RoHS
Compliant

FEATURES:

- Performance comparable to fixed frequency oscillator
- Lowest peak-to-peak jitter
- Low supply current
- Short lead time
- Suitable for mass production
- Alternative to long lead-time XO's

For Small
Quantities,
Delivery Time
is 1-5 days

ELECTRICAL SPECIFICATIONS:

Parameters		Minimum	Typical	Maximum	Units	Notes
Frequency Range	V _{dd} = 3.3V	2.048	-----	200	MHz	In-house programming small quantity only (< 1,000pcs) Contact Abracon for mass production quantity
	V _{dd} = 2.5V	2.048	-----	166		
	V _{dd} = 1.8V	11	-----	110		
	V _{dd} = 1.8V	2.048	-----	10.999		
Operating Temperature		-10	-----	+60	°C	See options
Storage Temperature		-55	-----	+150	°C	
Overall Frequency Stability*		-100	-----	+100	ppm	See options
Supply Voltage (V _{dd})	V _{dd} = 3.3V	2.97	3.30	3.63	V	Standard
	V _{dd} = 2.5V	2.25	2.50	2.75		V _{dd} option 1
	V _{dd} = 1.8V	1.62	1.80	1.98		V _{dd} option 2
Input Current	V _{dd} = 3.3V	-----	-----	10	mA	2.048 MHz ≤ F < 30 MHz
		-----	-----	15		30 MHz ≤ F < 75 MHz
		-----	-----	20		75 MHz ≤ F < 133MHz
		-----	-----	22		133 MHz ≤ F < 166MHz
		-----	-----	25		166 MHz ≤ F < 200MHz
	V _{dd} = 2.5V	-----	-----	8		2.048 MHz ≤ F < 30MHz
		-----	-----	10		30MHz ≤ F < 75MHz
		-----	-----	15		75MHz ≤ F < 133MHz
		-----	-----	15		133MHz ≤ F < 166MHz
	V _{dd} = 1.8V	-----	-----	6		2.048 MHz ≤ F < 30MHz
		-----	-----	8		30MHz ≤ F < 75MHz
		-----	-----	2		75MHz ≤ F < 133MHz
Symmetry****		45	50	55	%	@ 1/2 V _{dd}
Rise and Fall Time (Tr/Tf)**	V _{dd} = 3.3V	-----	-----	3	ns	2.048 MHz ≤ F ≤ 10 MHz
		-----	-----	2		10 MHz ≤ F 200 MHz
	V _{dd} = 2.5V	-----	-----	4		2.048 MHz ≤ F ≤ 10 MHz
		-----	-----	3		10 MHz ≤ F 166 MHz
	V _{dd} = 1.8V	-----	-----	5		2.048 MHz ≤ F ≤ 10 MHz
		-----	-----	4		10 MHz ≤ F 110 MHz
Output Load:		-----	-----	15	pF	CMOS



2.5 x 2.0 x 0.9mm

AP2S



RoHS
Compliant

ELECTRICAL SPECIFICATIONS:

Parameters	Minimum	Typical	Maximum	Units	Notes	
Output Voltage	V_{OL}	-----	-----	0.33	V	$V_{dd} = 3.3V$
	V_{OH}	2.97	-----	-----		
	V_{OL}	-----	-----	0.25	V	$V_{dd} = 2.5V$
	V_{OH}	2.25	-----	-----		
	V_{OL}	-----	-----	0.18	V	$V_{dd} = 1.8V$
	V_{OH}	1.62	-----	-----		
Start-up Time	-----	-----	2.0	ms		
Tri-state function (Stand-by)	"1" ($V_{IH} > 0.7 * V_{dd}$) or Open: Oscillation "0" ($V_{IH} < 0.3 * V_{dd}$): Disable			-----		
Standby current	-----	-----	15	μA		
Period jitter Peak to Peak (Reference only. Please contact Abracon for each frequencies.):	-----	-----	40	ps	Standard frequencies***	
	-----	-----	200	ps	Other frequencies Reference only Please contact Abracon	
Aging:	-3.0	-----	+3.0	ppm	@+25°C First year	

* Inclusive of calibration @25°C, operating temperature range, input voltage variation, load variation, aging, shock, and vibration.

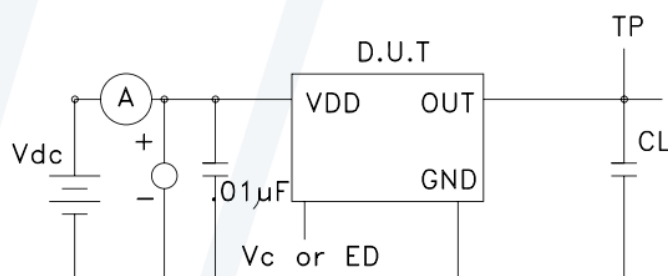
For ± 20 ppm, inclusive of calibration @25°C, operating temperature range, load variation, aging, shock, and vibration.

** Transition times are measured between 10% and 90% of V_{dd} with an output load of 15 pF.

*** 4.0, 6.0, 8.0, 12.0, 13.0, 16.0 19.2, 20.0, 24.0, 26.0, 32.0, 38.4, and 40.0MHz

**** Only 40/60% is available for certain frequencies. Please contact Abracon when ordering.

TEST CIRCUIT:



$CL = 15pF$ (including probe capacitance)

SMD CMOS PROGRAMMABLE CRYSTAL OSCILLATOR



2.5 x 2.0 x 0.9mm

AP2S



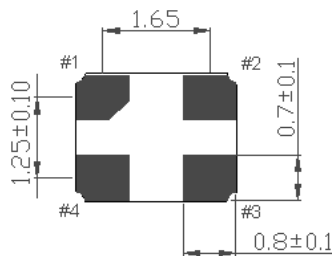
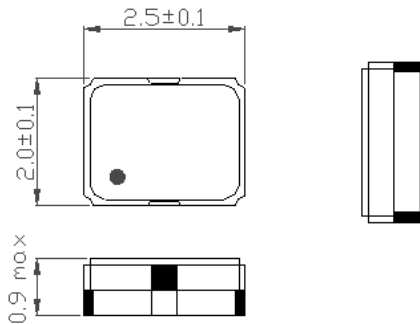
OPTIONS & PART IDENTIFICATION:

AP2S - MHz - -

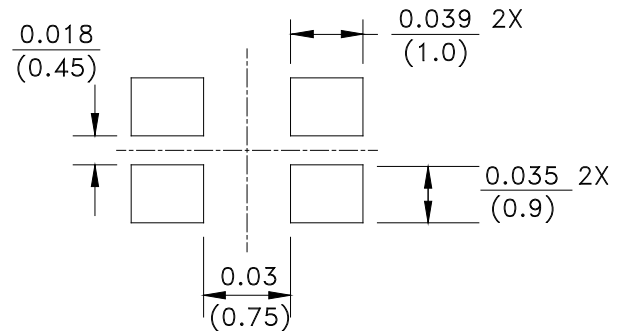
Supply Voltage	Frequency in MHz	Operating Temp.	Overall Freq. Stability	Tri-state pin	Packaging
*Blank: 3.3V	Please specify the frequency in MHz. e.g. 14.31818MHz	I: 0°C ~ +50°C	J(****): ±20ppm	**Blank: OE	Blank: Bulk
1: 2.5V		E: -20°C ~ +70°C	R: ±25ppm	***B: Power Down	T: Tape & Reel (1k/reel)
2: 1.8V		F: -30°C ~ +70°C	K: ±30ppm		T3: Tape & Reel (3k/reel)
		N: -30°C ~ +85°C	C: ±50ppm		
		L: -40°C ~ +85°C			

- * 3.3V is standard
- ** OE: Tri-state the output buffer
- *** PDB: Tri-state the output buffer and shut off the oscillator, <10µA when PDB enabled.
- **** Available for -10 to +60°C, I, or E temp options only. Contact ABRACON for EJ or LR options. (Availability limited)

OUTLINE DRAWING:



Recommended land pattern



***Note 2**
Recommend using an approximately 0.01µF bypass capacitor between Pin 2 and 4.

Pin	Function
1	Tri-State
2	GND/Case
3	Output
4	V _{dd}

- *Note 1**
- Do not leave Pin 1 (Tri-State) floating
 - If Pin 1 (Tri-State) is not utilized for toggling, it must be tied to V_{dd} (logic 1)

Dimensions: inches (mm)



5101 Hidden Creek Lane Spicewood TX 78669
Phone: 512-371-6159 | Fax: 512-351-8858
For terms and conditions of sale please visit:
www.abracon.com

REVISED: 03.19.2018

ABRACON IS
ISO9001-2008
CERTIFIED

SMD CMOS PROGRAMMABLE CRYSTAL OSCILLATOR

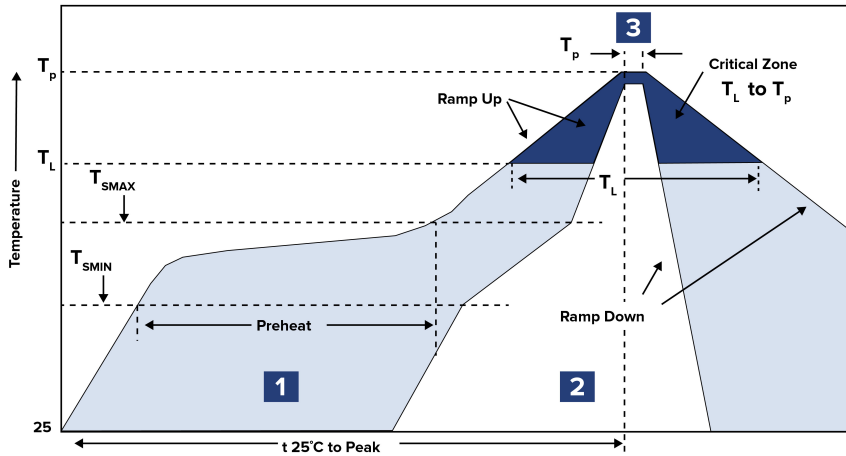


2.5 x 2.0 x 0.9mm

AP2S

Pb | **RoHS**
Compliant

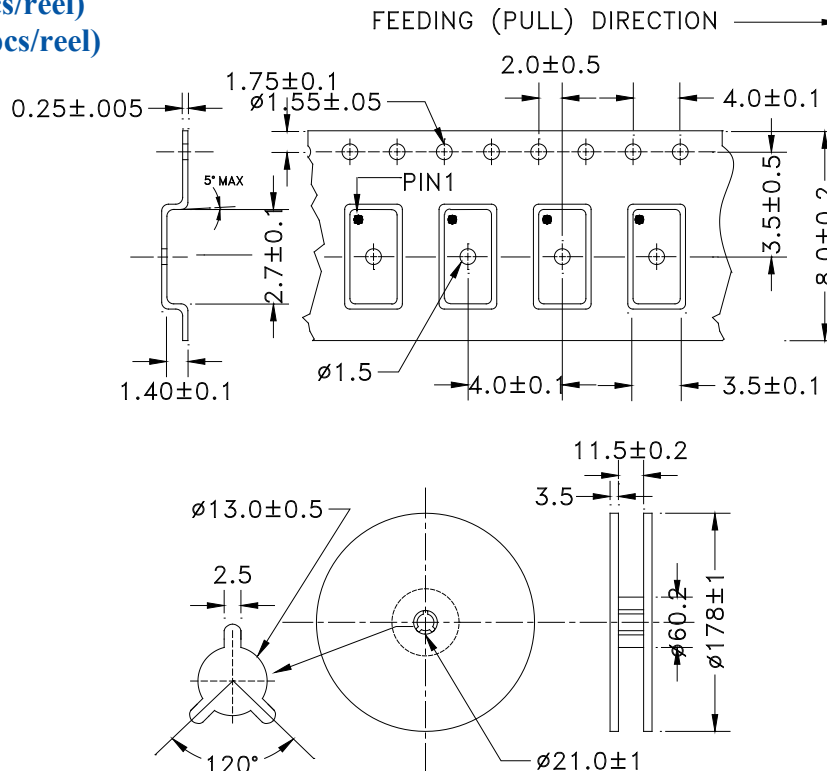
REFLOW PROFILE



Zone	Description	Temperature	Times
1	Preheat	$T_{SMIN} \sim T_{SMAX}$ 150°C ~ 180°C	60 ~ 120 sec
2	Reflow	T_L 230°C	30 ~ 40 sec
3	Peak heat	T_P 260 ± 5°C	10 sec MAX

TAPE & REEL:

T= Tape and reel (1,000pcs/reel)
T3= Tape and reel (3,000pcs/reel)



Dimensions: mm



5101 Hidden Creek Lane Spicewood TX 78669
Phone: 512-371-6159 | Fax: 512-351-8858
For terms and conditions of sale please visit:
www.abracon.com

REVISED: 03.19.2018

ABRACON IS
ISO9001-2008
CERTIFIED