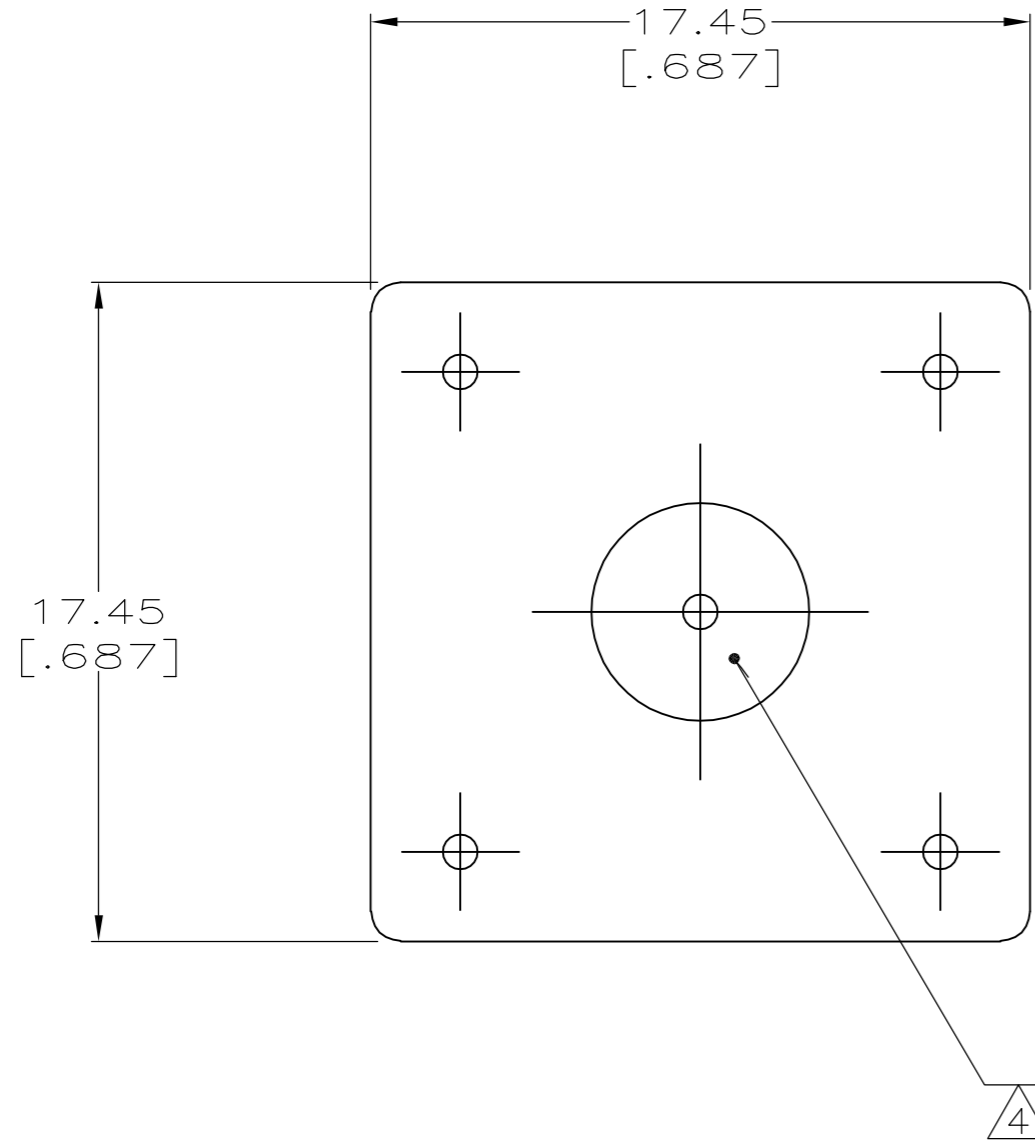
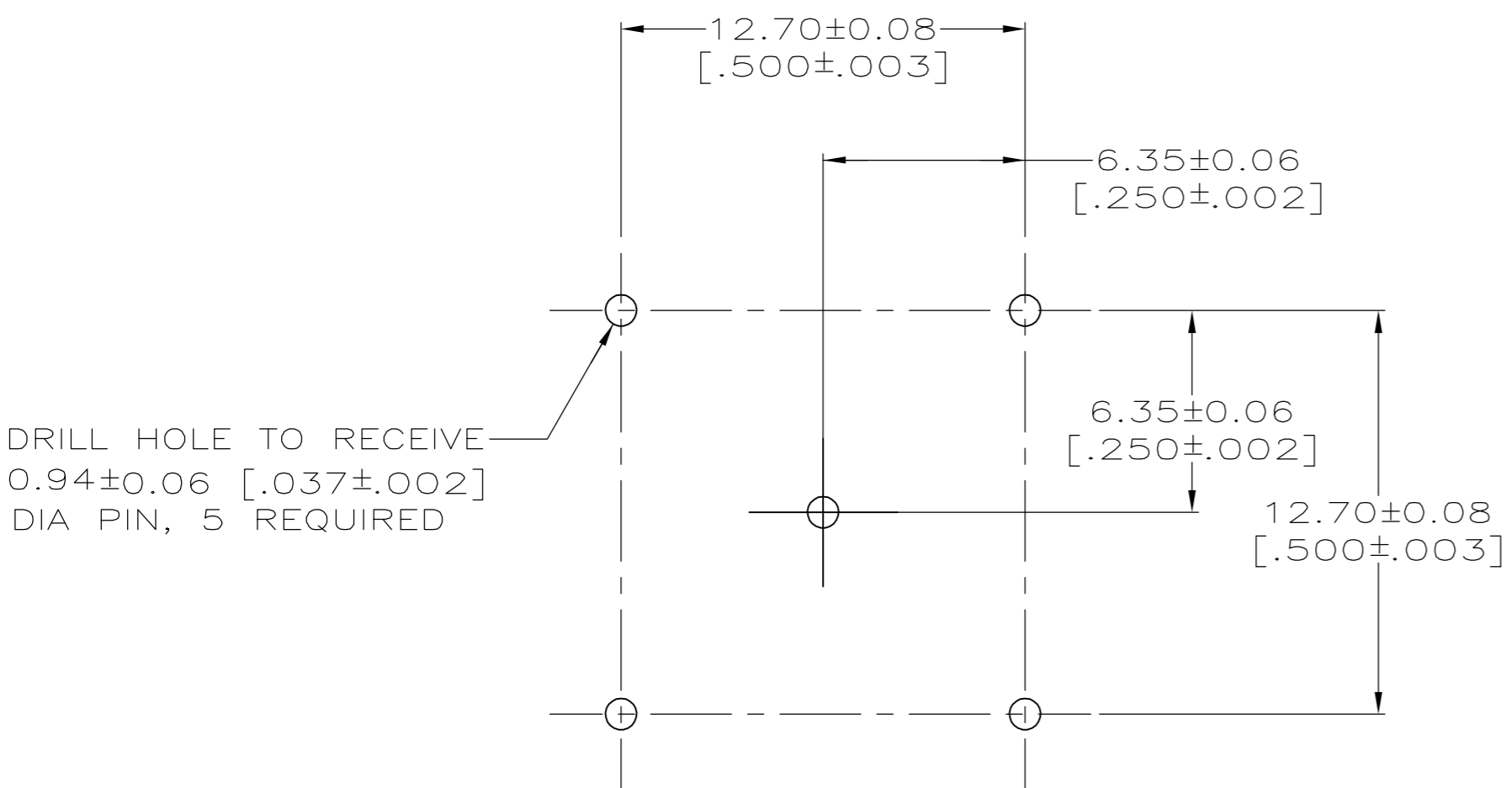
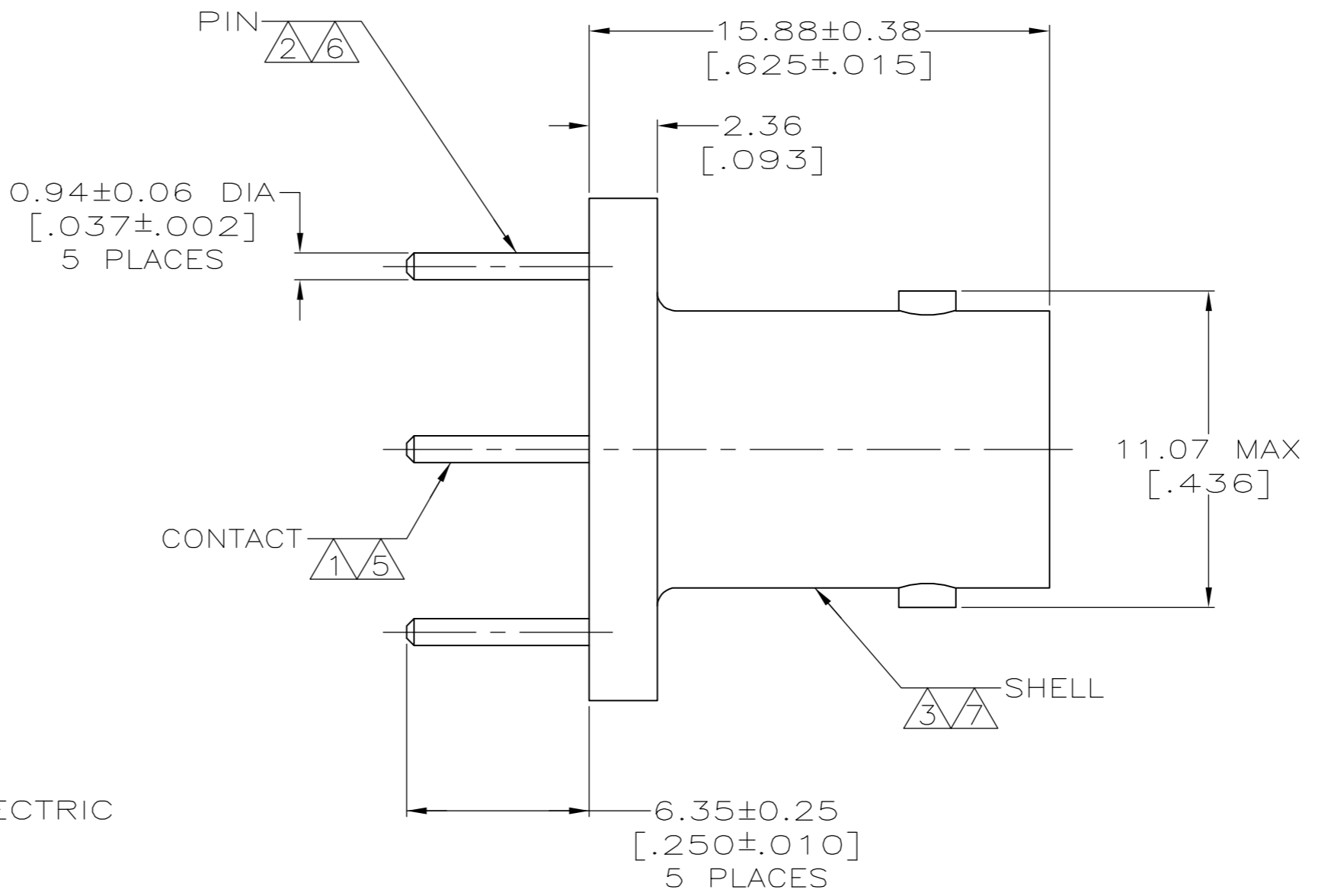


THIS DRAWING IS UNPUBLISHED. RELEASED FOR PUBLICATION
 © COPYRIGHT BY TYCO ELECTRONICS CORPORATION. ALL RIGHTS RESERVED.

LOC	DIST	REVISIONS					
AJ	16	P	LTR	DESCRIPTION	DATE	DWN	APVD
		F		REVISED PER EC OS14-0499-04	11JULY05	BM	JL



④ DIELECTRIC



SUGGESTED PCB CONFIGURATION

- ① BERYLLIUM COPPER PER ASTM-B-197.
- ② BRASS PER QQ-B-626.
- ③ ZINC PER QQ-Z-363.
- ④ PTFE PER MIL-P-19468.
- ⑤ SILVER PLATE PER QQ-S-365
2.54μm [0.000100] MINIMUM THICK.
- ⑥ TIN PLATE PER ASTM-B-545
2.54μm [0.000100] MINIMUM THICK.
- ⑦ NICKEL PLATE PER QQ-N-290
3.81μm [0.000150] MINIMUM THICK.
- 8. SEE INSTRUCTION SHEET 408-9889.

413986-1
PART NUMBER

THIS DRAWING IS A CONTROLLED DOCUMENT.		DWN	J. LIPPERT	10-15-90	 Tyco Electronics Corporation Harrisburg, Pa 17105-3608							
DIMENSIONS: INCHES		CHK	R.E.RUTH	10-25-90								
TOLERANCES UNLESS OTHERWISE SPECIFIED:		APVD	A. GABNY	10-25-90								
0 PLC ± - 1 PLC ± - 2 PLC ± 0.20 [0.008] 3 PLC ± - 4 PLC ± - ANGLES ± - FINISH		PRODUCT SPEC	108-12078			NAME	JACK, 75 OHM, VERTICAL, PCB, BNC					
MATERIAL	SEE NOTES 1 THRU 4	WEIGHT	-		SIZE	A2	CAGE CODE	00779	DRAWING NO	C=413986	RESTRICTED TO	-
CUSTOMER DRAWING		SCALE	5:1		SHEET	1 OF 1		REV	F			