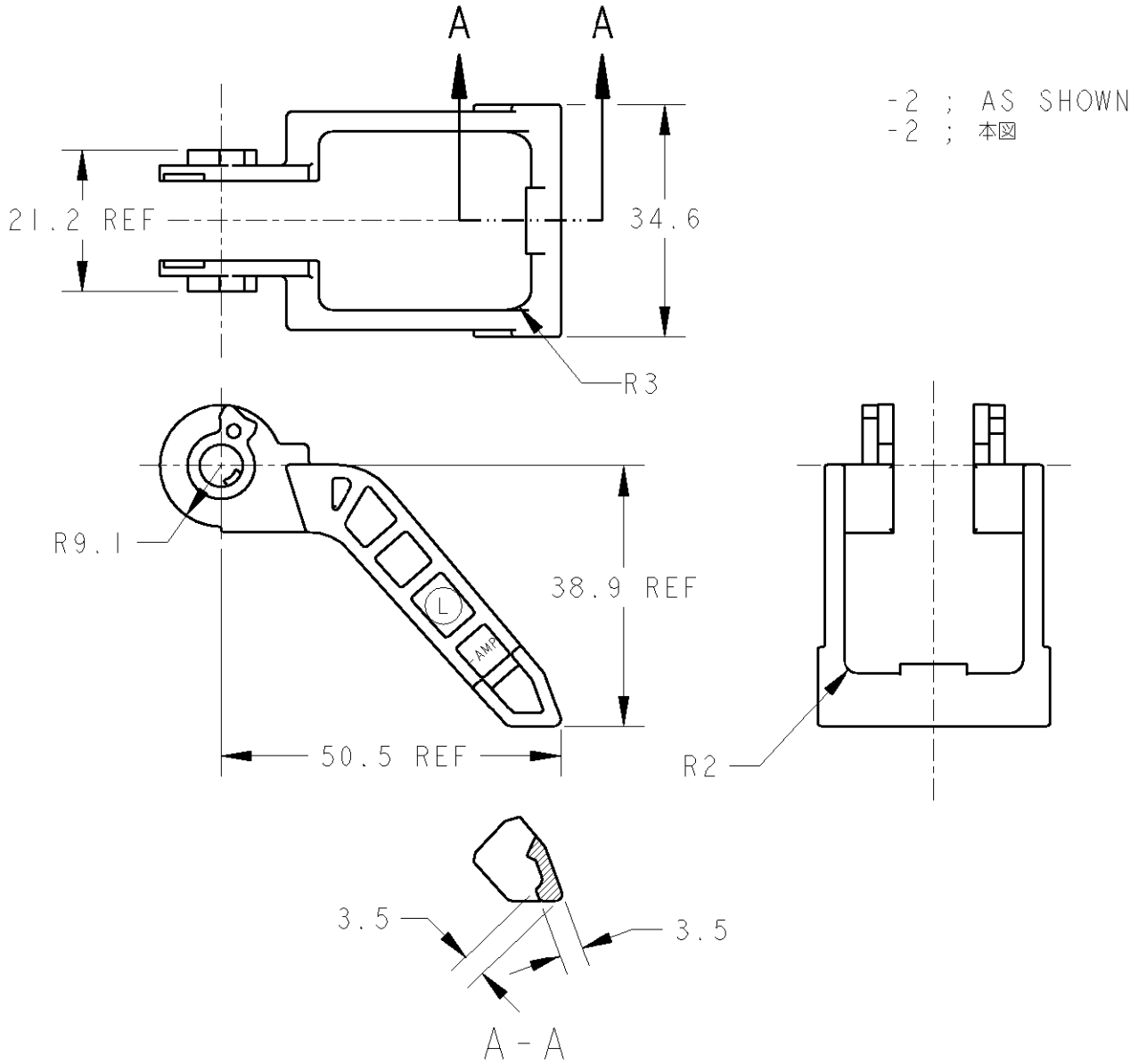


LOC	DIST	REVISIONS						
		P	LTR	DESCRIPTION	ECN	DATE	DWN	APVD
J	-		A	REDRAWN WITH CHANGE コーナーR、リア形状追加	FJ00-0787-01	17APR01	ES	NS



1. APPLICABLE FRAME ASSY P/N; 353670-6
2. INSTRUCTION SHEET; 411-5822

1. 適用FRAME ASSY型番: 353670-6
2. 取扱説明書: 411-5822

THIS DRAWING IS UNPUBLISHED. RELEASED FOR PUBLICATION 20 BY TYCO ELECTRONICS CORPORATION. ALL RIGHTS RESERVED. © COPYRIGHT 20

DIMENSIONS: 単位: 概 mm	DWN E. SASAKI	17APR01	MATERIAL 材料	PBT	FINISH 仕上	BLACK				
	CHK T. KOHNO	17APR01	Tyco Electronics AMP K.K. Kawasaki, Japan							
TOLERANCES UNLESS OTHERWISE SPECIFIED: ALL : ±0.3	APVD N. SAI	17APR01								
0 PLC ±	PRODUCT SPEC 製品規格	108-5591	NAME 名称 111P LIF CONN. LEVER							
1 PLC ±0.1	APPLICATION SPEC 取付適用規格									
2 PLC ±0.01	WEIGHT	7.5 g	SIZE	A4	CAGE CODE	00779	DRAWING NO 番号	C=353673	RESTRICTED TO	-
3 PLC ±0.001	CUSTOMER DRAWING		SCALE	:		SHEET	OF	REV	A	
4 PLC ±0.0001										
ANGLES ±3°00'										