

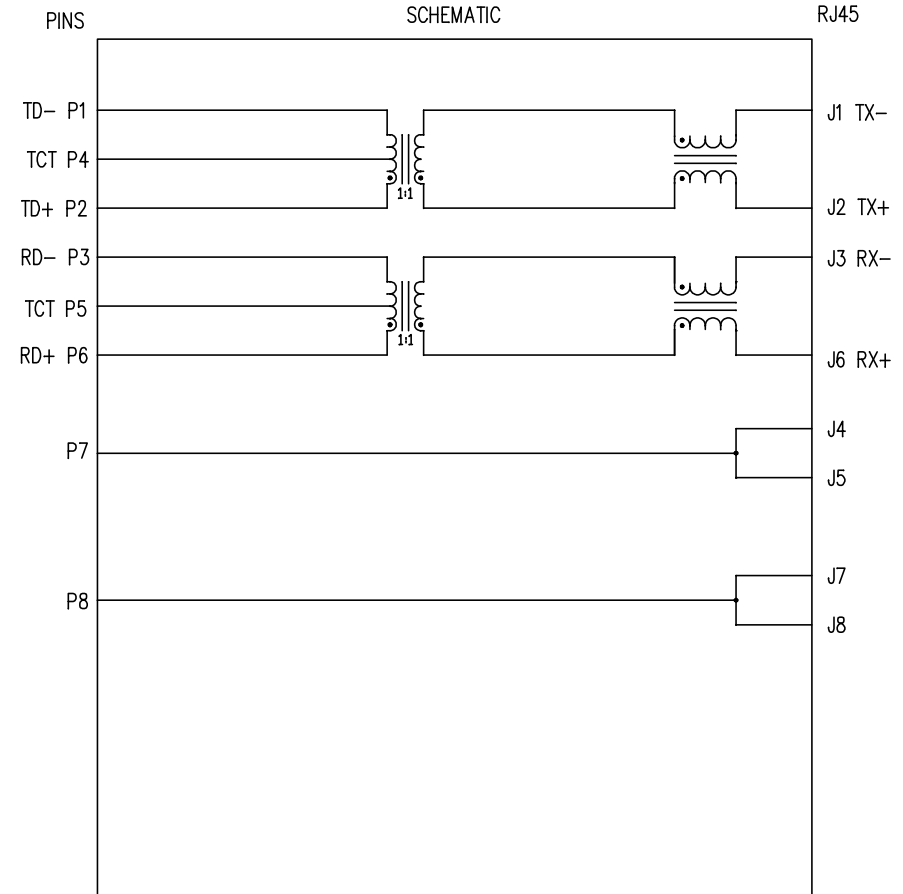
THE INFORMATION CONTAINED HEREIN IS CONSIDERED "PROPRIETARY" TO BEL FUSE INC. AND SHALL NOT BE COPIED, REPRODUCED OR DISCLOSED WITHOUT THE WRITTEN APPROVAL OF BEL FUSE INC.

RoHS
2002/95/EC



ELECTRICAL SPECIFICATIONS:

- | | |
|--|--|
| 1.0 TURNS RATIO: (P3-P5-P6) : (J3-J6) | : 1CT : 1CT ± 3% |
| (P1-P4-P2) : (J1-J2) | : 1CT : 1CT ± 3% |
| 2.0 INDUCTANCE: (P1-P2) | : 350uH MIN. @ 0.1V, 100KHz, 8mA DC Bias |
| (P3-P6) | : 350uH MIN. @ 0.1V, 100KHz, 8mA DC Bias |
| 3.0 LEAKAGE INDUCTANCE: P6-P3 (WITH J6 AND J3 SHORT) | : 0.3uH MAX. @ 1MHz |
| P2-P1 (WITH J2 AND J1 SHORT) | : 0.3uH MAX. @ 1MHz |
| 4.0 INTERWINDING CAPACITANCE: (P6,P5,P3) TO (J6,J3) | : 30pf MAX @ 1MHz |
| (P2,P4,P1) TO (J2,J1) | : 30pf MAX. @ 1MHz |
| 5.0 DC RESISTANCE: (J6-J3)=(J2-J1) | : 1.2 ohms Max. |
| <u>RECEIVE</u> | |
| 6.0 RETURN LOSS: (P6-P3)=100 OHMS AND (P1-P2)=100 OHM REF. | |
| 1MHz TO 30MHz | : 18dB MIN. |
| 60MHz TO 80MHz | : 12dB MIN. |
| NOTE: 100 OHMS CONNECTED TO (J2-J1) OR (J6-J3). | |
| 7.0 DIELECTRIC WITHSTAND: (J1, J2) TO (P1, P2) | : 1500 VAC |
| (J3, J6) TO (P3,P6) | : 1500 VAC |
| 8.0 INSERTION LOSS: RS=RL=100 ohms | |
| 100KHz TO 100MHz | : 1.1 dB TYP |
| 9.0 RISE TIME: RS=100 OHMS AND RL = 100 OHMS | |
| OUTPUT VOLTAGE = 1 V peak | : 3.0 nS MAX |
| PULSE WIDTH= 112nS | : 3.0 nS MAX |
| 10.0 CROSS TALK: 1MHz TO 100MHz | : 40 dB TYP |
| 11.0 COMMON TO COMMON MODE ATTENUATION: 30MHz TO 100MHz | : 35dB TYP |



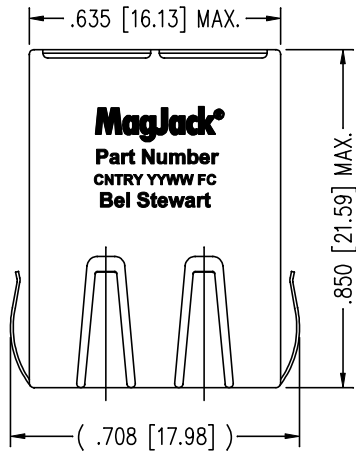
NOTES

- 1.0 PINS WITHOUT ELECTRICAL CONNECTION ARE OMITTED.

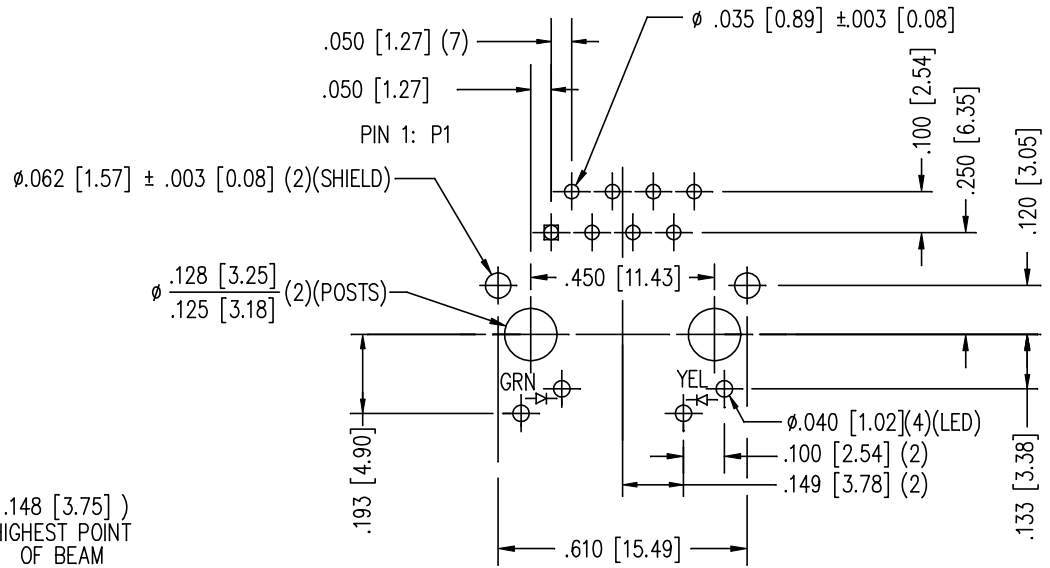
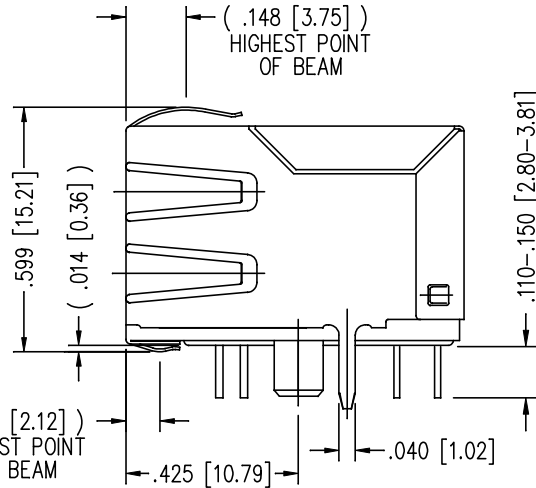
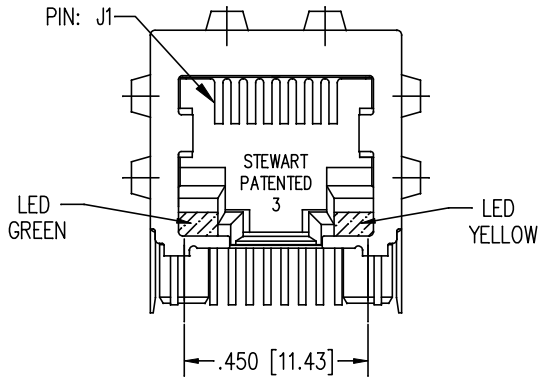
ORIGINATED BY Zeng Xiao Chun	DATE 07-04-2011	TITLE MagJack® 10/100BT TAB DOWN,SHIELDED	PART NO. / DRAWING NO. SI-60107-F	STANDARD DIM.		[] METRIC DIM. AS REFERENCE		
				TOL. IN INCH		UNIT : INCH [mm]	REV. : A0	
DRAWN BY Zhang Ru Sheng	DATE 07-04-2011		FILE NAME SI-60107-F.DWG	.X		SCALE : N/A	SIZE : A4	
				.XX				
				.XXX	±0.005		PAGE : 2	

THE INFORMATION CONTAINED HEREIN IS CONSIDERED "PROPRIETARY" TO BEL FUSE INC. AND SHALL NOT BE COPIED, REPRODUCED OR DISCLOSED WITHOUT THE WRITTEN APPROVAL OF BEL FUSE INC.

RoHS
2002/95/EC



MagJack
Part Number
CNTRY YYWW FC
Bel Stewart



P.C.B. RECOMMENDED HOLE LAYOUT
SEEN FROM COMPONENT SIDE
ALL CENTERLINE DIMENSIONS ARE BASIC

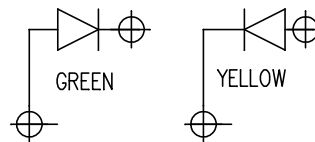
NOTES:

- CONNECTOR MATERIALS:
HOUSING: THERMOPLASTIC UL94 V-0
CONTACT/SHIELD: COPPER ALLOY
SHIELD PLATING: NICKEL OR TIN
CONTACT PLATING: SELECTIVE GOLD,
50 MICRO-INCHES MIN. IN CONTACT AREA.
- PIN NOT ELECTRICALLY CONNECTED MAYBE OMITTED.
SEE ELECTRICAL DRAWING FOR OMITTED PINS.
- TOLERANCES COMPLY WITH F.C.C. DIMENSION REQUIREMENTS.
- ALL TOLERANCES NOT OTHERWISE SPECIFIED TO BE ±.005 [0.13]
- REFLOW AND WAVE SOLDER COMPATIBLE -260°C FOR 10 SECONDS MAX.

LED SPECIFICATION			
STANDARD LED	WAVELENGTH	FORWARD V (MAX)	* (TYP)
GREEN	565 nm	2.5 V	2.2 V
YELLOW	590 nm	2.5 V	2.1 V

*WITH A FORWARD CURRENT OF 20 mA (TYP)

LED POLARITY DETAIL



ORIGINATED BY	DATE
Zeng Xiao Chun	07-04-2011
DRAWN BY	DATE
Zhang Ru Sheng	07-04-2011

TITLE	MagJack®
	10/100BT
	TAB DOWN, SHIELDED

PART NO. / DRAWING NO.	SI-60107-F
FILE NAME	SI-60107-F.DWG

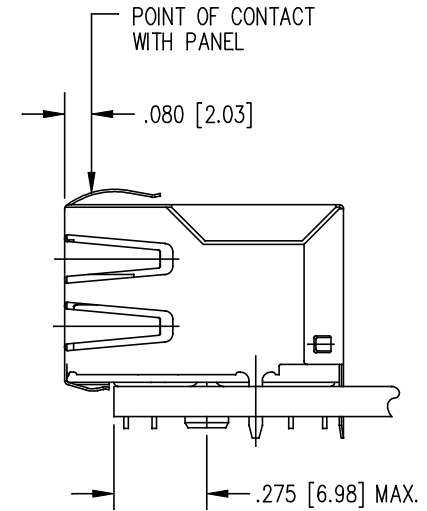
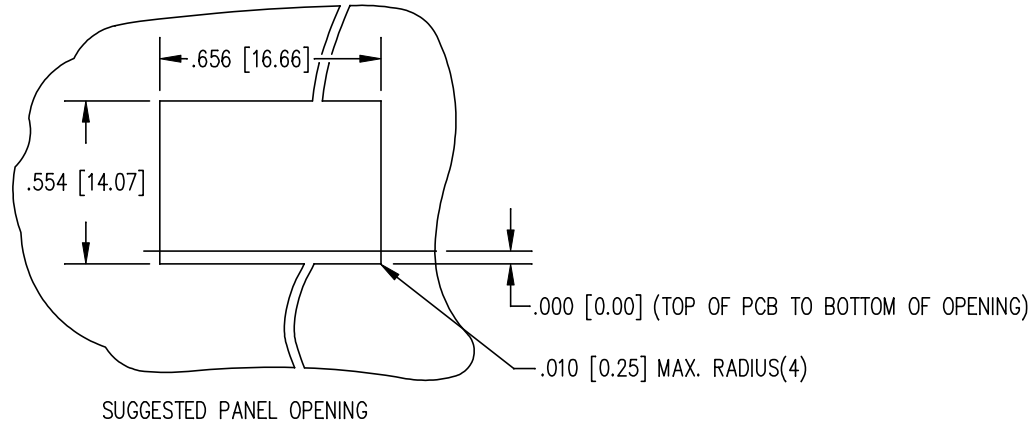
STANDARD DIM.	[] METRIC DIM. AS REFERENCE
TOL. IN INCH	UNIT : INCH [mm]
.X	SCALE : N/A
.XX	REV. : A0
.XXX	SIZE : A4
±0.005	PAGE : 3

UNIT : INCH [mm]	REV. : A0
SCALE : N/A	SIZE : A4
PAGE : 3	



THE INFORMATION CONTAINED HEREIN IS CONSIDERED "PROPRIETARY" TO BEL FUSE INC. AND SHALL NOT BE COPIED, REPRODUCED OR DISCLOSED WITHOUT THE WRITTEN APPROVAL OF BEL FUSE INC.

RoHS
2002/95/EC



1. THE SUGGESTED PANEL OPENING IS INTENDED TO GIVE THE USER THE ABILITY TO HAVE REASONABLE JACK / PANEL CLEARANCES YET MAINTAIN RELIABLE GROUNDING CAPABILITY.
2. ALL TOLERANCES NOT OTHERWISE SPECIFIED TO BE ± 0.005 [0.13]

ORIGINATED BY Zeng Xiao Chun	DATE 07-04-2011	TITLE MagJack® 10/100BT TAB DOWN, SHIELDED	PART NO. / DRAWING NO. SI-60107-F	STANDARD DIM. TOL. IN INCH	[] METRIC DIM. AS REFERENCE		bel COMPONENTS OR A CONNECTED PLANET
DRAWN BY Zhang Ru Sheng	DATE 07-04-2011		FILE NAME SI-60107-F.DWG	.X .XX .XXX	UNIT : INCH [mm] SCALE : N/A 	REV. : A0 SIZE : A4 PAGE : 4	
			±0.005				