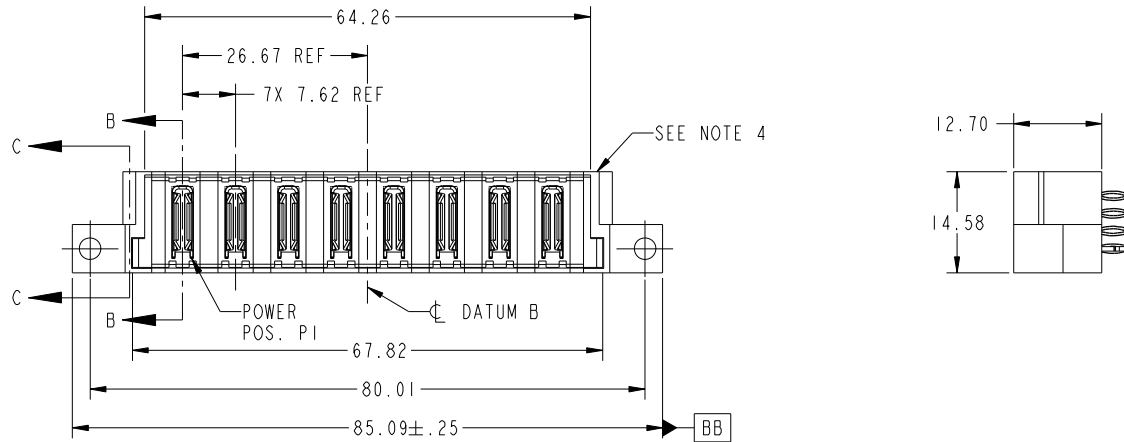
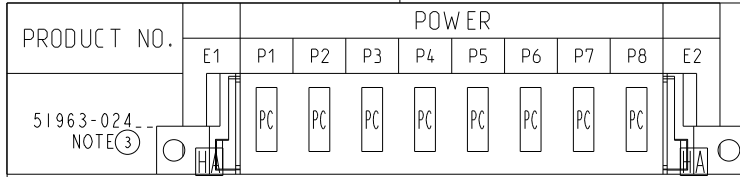


Tous droits strictement reserves. Reproduction ou communication a des tiers interdite sous quelque forme que ce soit sans autorisation écrite du propriétaire. Propriete de c FCI. Droits de reproduction FCI.



All rights strictly reserved. Reproduction or issue to third parties in any form whatever is not permitted without written authority from the proprietor. Property of FCI. Copyright FCI.



CODE	DIM "M" MATING LENGTH	CONTACT TYPE
PC	[N/A]	POWER
HA	[N/A]	HOLD-DOWN

mat'l code				tolerances unless otherwise specified		CUSTOMER		FCI	
ltr	ecn no.	dr	date	linear	0.X ±0.3	COPY		www.fciconnect.com	
A	DG07-0308	JMG	07/27/07	angles	0.XX ±0.13	projection		title	
					0.XXX ±0.051	MIM		8ACP	
				dr	0° ±2°	scale		VERTICAL PRESS-FIT HEADER	
				enr	JM GUO 07/27/07	1:1		product family	
				chr	JEROME CHEN 07/27/07	A		PwrBlade	
				appd	GARY HSI EH 07/27/07			code	
					JOSEPH HSIA 07/27/07			213	
sheet index	revision sheet	A	A	A				size	
1	2	3						dwg no	
								51963-024	
								sheet	
								1 of 3	

cage code 22526

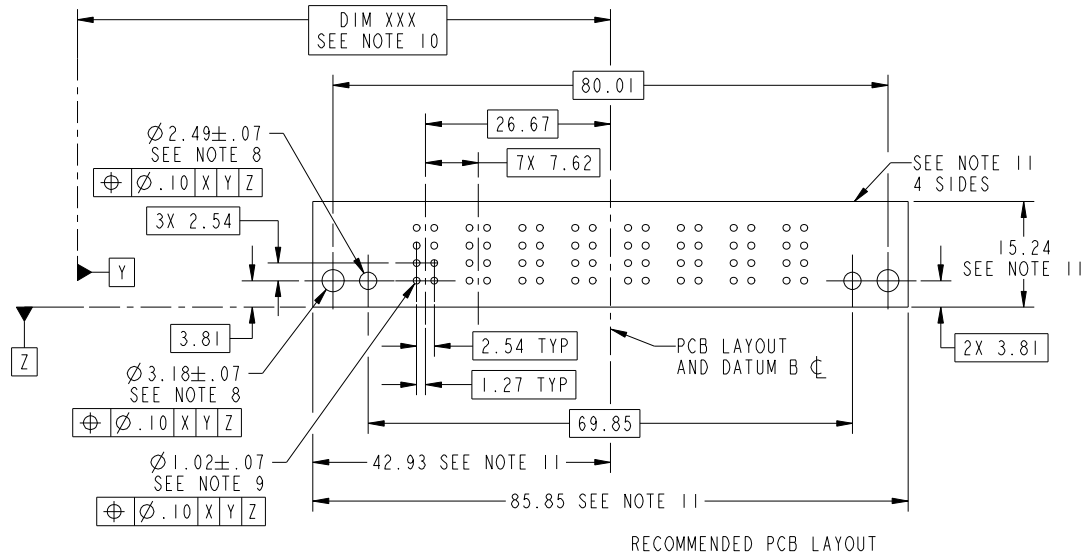
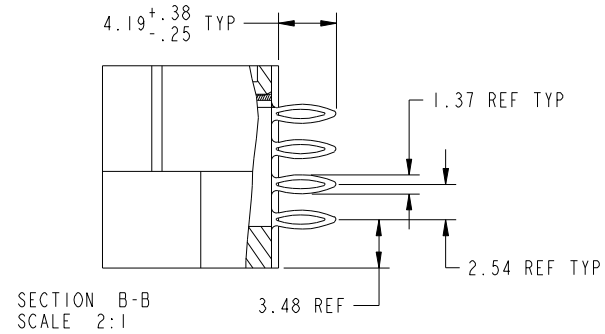
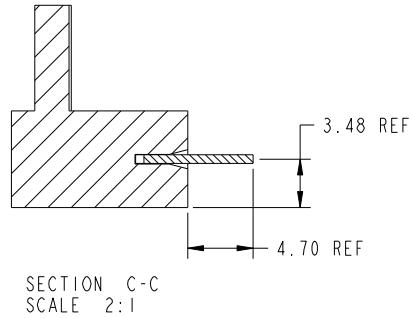
Pro/E

Tous droits strictement reserves. Reproduction ou communication a des tiers interdite sous quelque forme que ce soit sans autorisation écrite du propriétaire. Propriete de c FCI. Droits de reproduction FCI.

All rights strictly reserved. Reproduction or issue to third parties in any form whatever is not permitted without written authority from the proprietor. Property of FCI. Copyright FCI.



PRODUCT NUMBER
51963-024__
NOTE 3



mat'l code				tolerances unless otherwise specified		CUSTOMER		FCI	
ltr	ecn no.	dr	date	linear	0.X ± 0.3	COPY		www.fciconnect.com	
A				angles	0.XX ± 0.13	projection		title	
				dr	0.XXX ± 0.051	MIM		8ACP VERTICAL PRESS-FIT HEADER	
				enr	0° ± 2°	scale		product family	
				chr	JM GUO 07/27/07	1:1		PwrBlade	
				appd	JEROME CHEN 07/27/07	A		code	
					GARY HSIEH 07/27/07			size	
					JOSEPH HSIA 07/27/07			dwg no	
sheet index	revision sheet							51963-024	
								213	
								sheet	
								2 of 3	

cage code 22526

Pro/E

Tous droits strictement reserves. Reproduction ou communication a des tiers interdite sous quelque forme que ce soit sans autorisation écrite du propriétaire. Propriete de c FCI. Droits de reproduction FCI.



All rights strictly reserved. Reproduction or issue to third parties in any form whatever is not permitted without written authority from the proprietor. Property of FCI. Copyright FCI.

PRODUCT NUMBER
51963-024--
NOTE 3

NOTES:

1. DIMENSIONS AND TOLERANCES ARE IN ACCORDANCE WITH ASME Y14.5M, 1994 UNLESS OTHERWISE SPECIFIED.

CONNECTOR NOTES:

- 2 HOUSING MATERIAL: UL 94 V-0 GLASS FILLED
HIGH-TEMP THERMOPLASTIC
POWER CONTACT MATERIAL: COPPER ALLOY
SIGNAL PIN MATERIAL: COPPER ALLOY
 - 3. PLATING:
51963-024 ,51963-024LF PLATING SPEC. WAS SHOWN IN THE PRINT OF 10064183.
 - 4 MANUFACTURER'S NAME, P/N, AND DATE CODE TO APPEAR ON THIS SURFACE.
 - 5. PRODUCT SPECIFICATION GS-12-149.
APPLICATION SPECIFICATION BUS-20-067.
 - 6. PACKAGED IN TRAYS.
- PCB NOTES:
- 7. ALL HOLE DIAMETERS ARE FINISHED HOLE SIZE.
 - 8. MOUNTING HOLES, WHERE APPLICABLE, ARE UNPLATED.
 - 9 $\varnothing 1.151 \pm 0.025$ DRILLED HOLES PLATED WITH
0.008 MIN SnPb OR Sn OVER .001 [0.03]
TO 0.08 Cu PLATING TO ACHIEVE
 $\varnothing 1.02 \pm .07$ HOLE.
 - 10 "DIM XXX" TO BE DETERMINED BY THE CUSTOMER.
 - 11 CONNECTOR KEEP-OUT ZONE.
12. FOR PRESS FIT APPLICATION USE FCI CAM TOOL 430169-XXX.

mat'l code				tolerances unless otherwise specified		CUSTOMER			
ltr	ecn no.	dr	date	linear	0.X ± 0.3	COPY		www.fciconnect.com	
A				linear	0.XX ± 0.13	projection		title	
				angles	0.XXX ± 0.051			8ACP VERTICAL PRESS-FIT HEADER	
				dr	0° ± 2°	MIM		product family PwrBlade code	
				enr	JM GUO 07/27/07			size	
				chr	JEROME CHEN 07/27/07	scale		dwg no	
				appd	GARY HSIEH 07/27/07	1:1		51963-024	
					JOSEPH HSIA 07/27/07			sheet	
sheet index		revision sheet						3 of 3	

cage code 22526

Pro/E