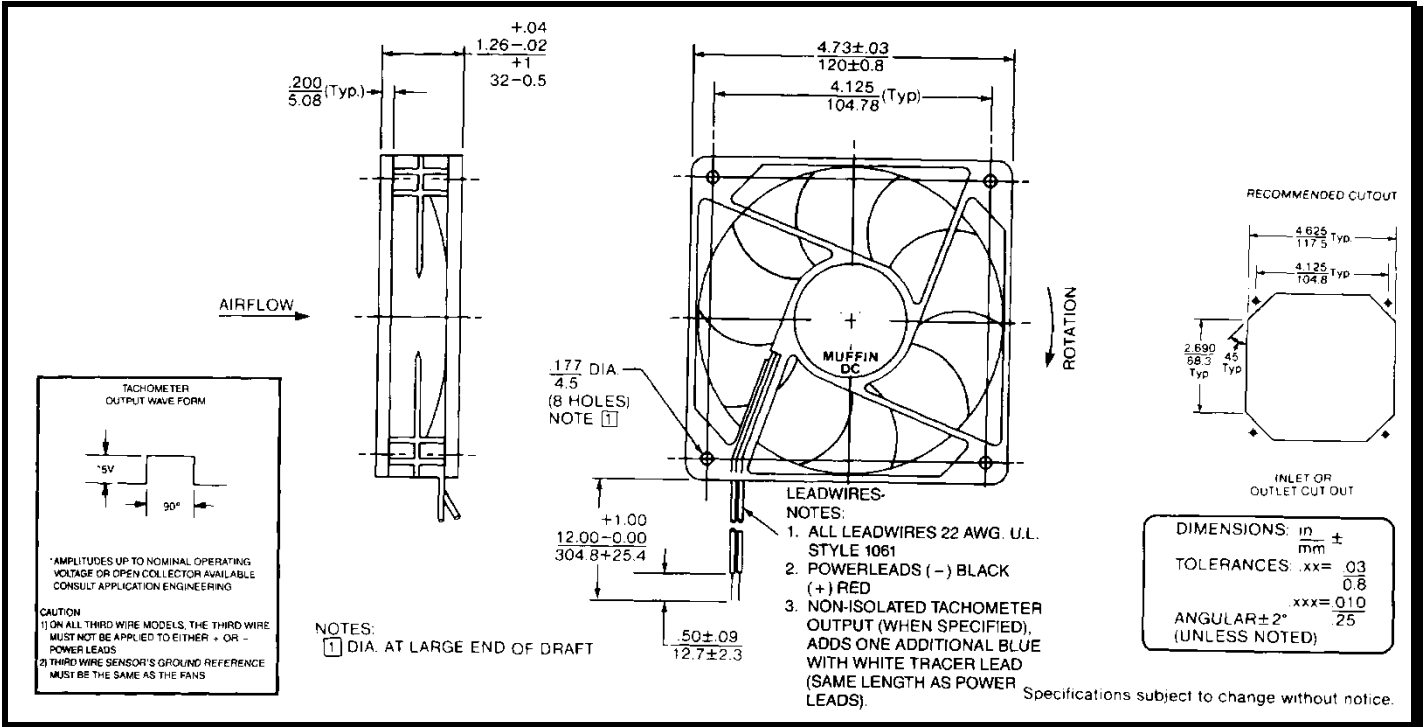


# SPECIFICATIONS



**Model Number:** MC24K3  
**Part Number:** 19031618A Spec Number:26013730A00 April 8, 2013

## Mechanical Drawing:



### Motor:

Nominal Voltage = 24 vdc  
 Operating Voltage Range = 12 - 28 vdc  
 Nominal Running Current = 0.440 amps  
 Locked Rotor Current = 1.50 amps  
 Running Power = 10.6 watts  
 Average Speed = 4200 RPM  
 Bearings = Ball  
 Max Air Flow = 118 CFM  
 Acoustics = 56.3 dBA

### Construction:

Venturi: Plastic, Black, UL 94V-0  
 Propeller: Plastic, Black, UL 94V-0

### Life Expectancy:

This fan is designed for continuous duty life of 75,000 hours at 40°C.

### Additional Features:

Brushless DC Motor  
 Polarity Protected.  
 Locked Rotor Protection.  
 Automatic Restart Capability  
 Operating Temperature: -10°C to 70°C  
 Storage Temperature: -40°C to 85°C

### Agency Approvals:

UL

### Termination:

12" Lead wires, AWG 22, UL 1061  
 Red: = (+) Power  
 Black: = (-) Ground