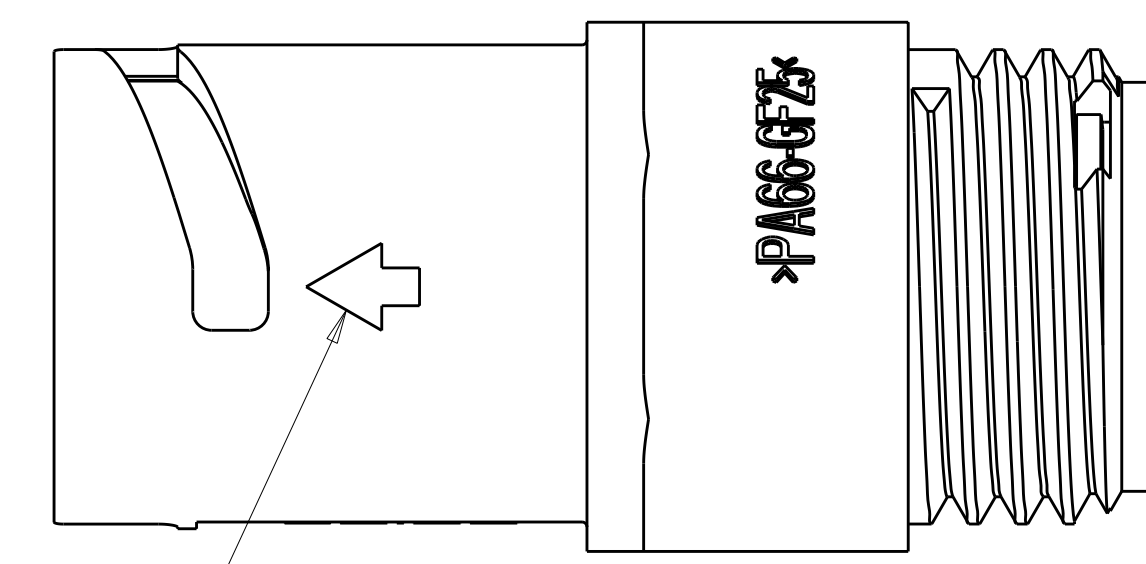
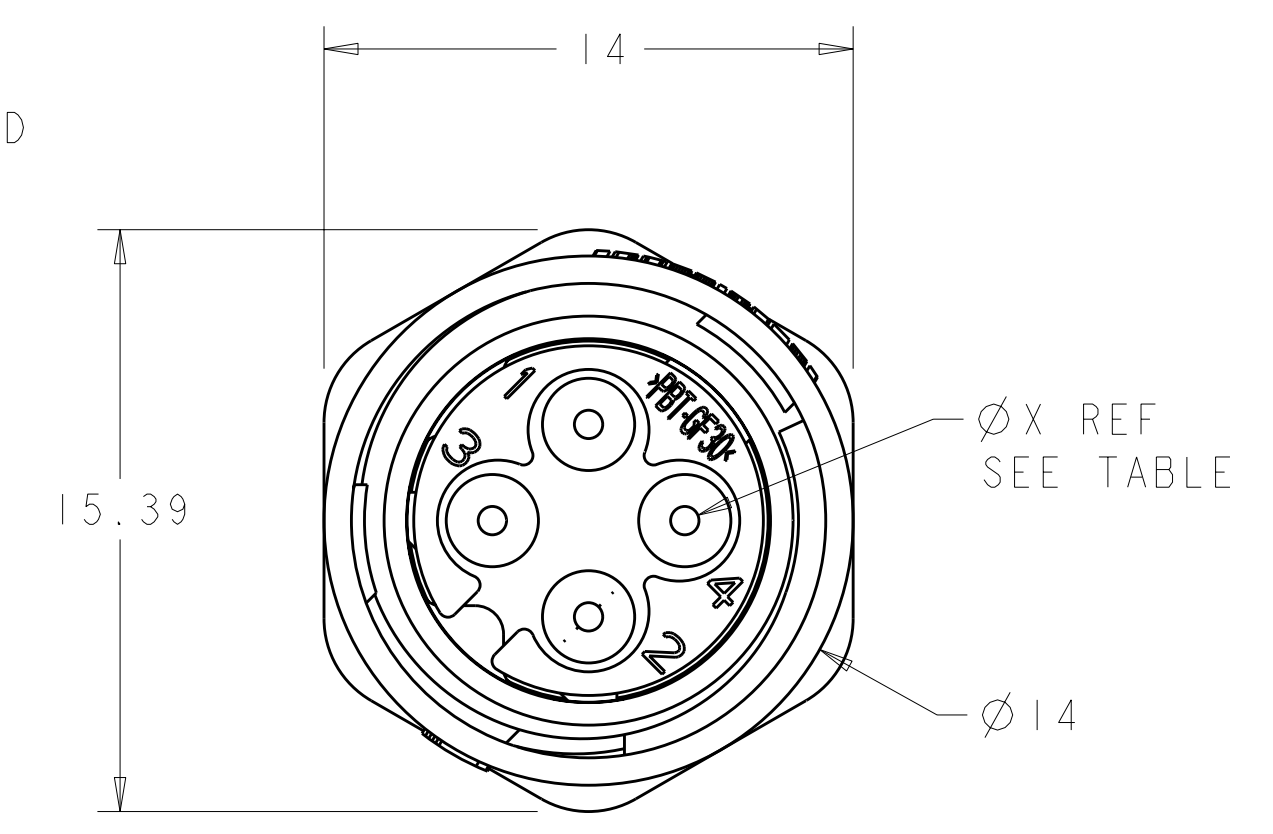
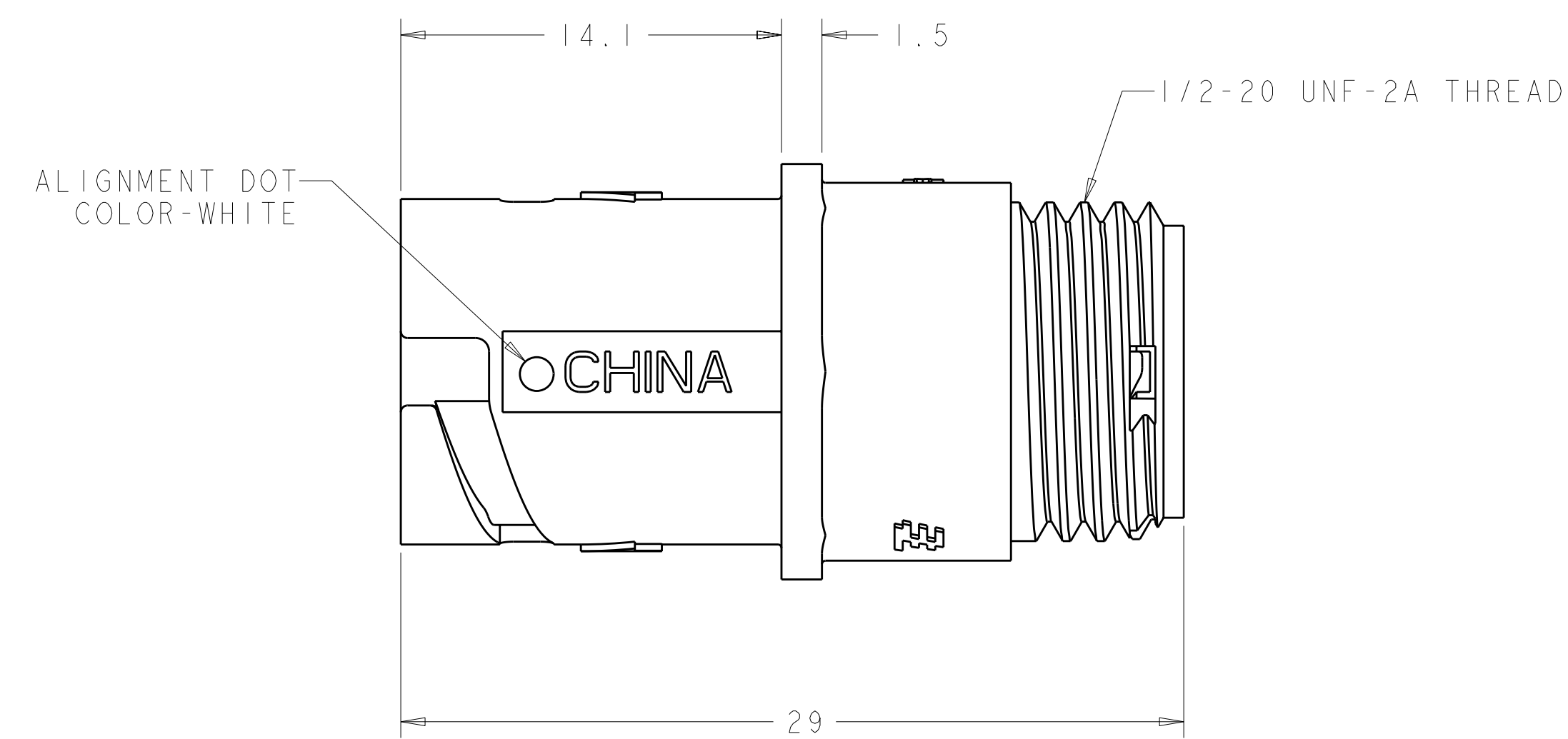
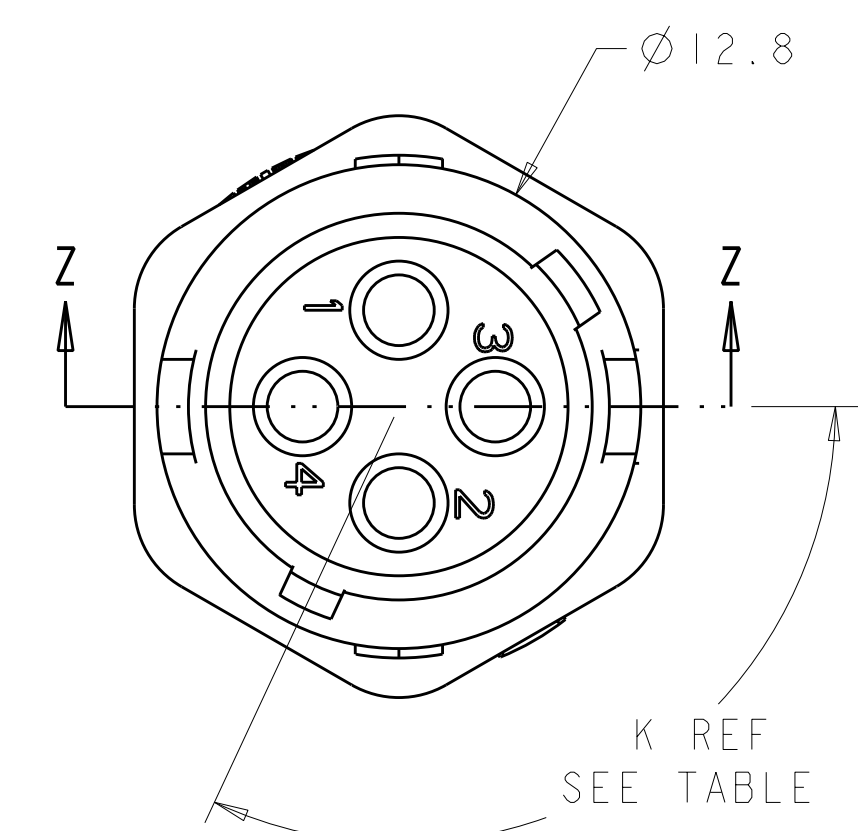


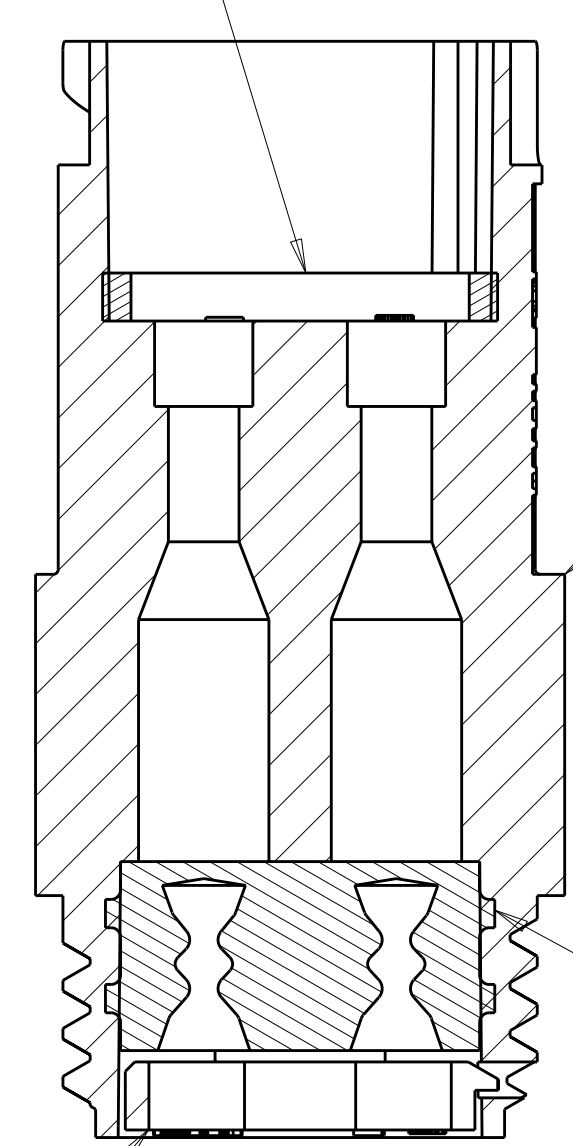
LOC		DIST		REVISIONS			
FT	0	P	LT#	DESCRIPTION	DATE	DWN	APVD
		B1		REVISED PER ECO-10-014504	14OCT2010	HMR	MG



POSITIVE LOCK INDICATOR



SEAL, PERIPHERAL, 1 REQD
 MATERIAL: ELASTOMER, COLOR-GRAY



HOUSING, 1 REQD
 MATERIAL: THERMOPLASTIC, COLOR-BLACK

SEAL, WIRE ENTRY, 1 REQD
 MATERIAL: ELASTOMER, COLOR-SEE TABLE

RETAINER, SEAL, 1 REQD
 MATERIAL: THERMOPLASTIC, COLOR-BLACK

SECTION Z-Z

QUALIFICATION TEST PENDING

SEAL WIRE ENTRY COLOR	Ø X REF	K REF	PART NUMBER
YELLOW	Ø 0.75	130°	1445389-04
NATURAL	Ø 1.5	115°	1445389-03
NATURAL	Ø 1.5	130°	1445389-02
YELLOW	Ø 0.75	115°	1445389-01

DIMENSIONS: mm 		TOLERANCES UNLESS OTHERWISE SPECIFIED: 0 PLC ± 1 PLC ± 2 PLC ± 3 PLC ±0.13 4 PLC ± ANGLES ± FINISH ±		DWN: S. DOUTY 01MAR2001 CHK: H. WAKEEM 12JUN2003 APVD: H. WAKEEM 12JUN2003		Tyco Electronics Harrisburg, PA 17105-3608	
MATERIAL: SEE CALLOUT		FINISH: SEE CALLOUT		NAME: ASSEMBLY, RECEPTACLE, SIZE 8, 4 POSITION, FREE HANGING, SEALED, MINI CPC SIZE: A11 CAGE CODE: 00779 DRAWING NO: C=1445389		RESTRICTED TO: - SCALE: 5:1 SHEET: 1 OF 1 REV: B1	