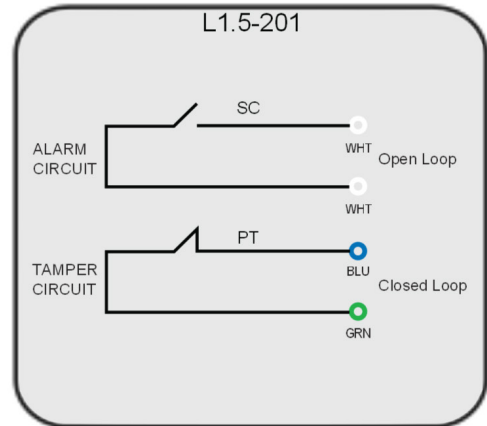
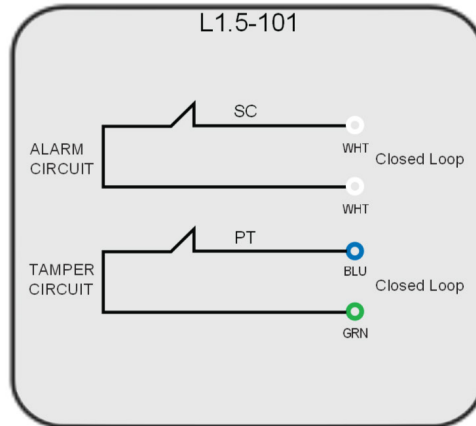


# MAGNASPHERE<sup>®</sup> HS L1.5

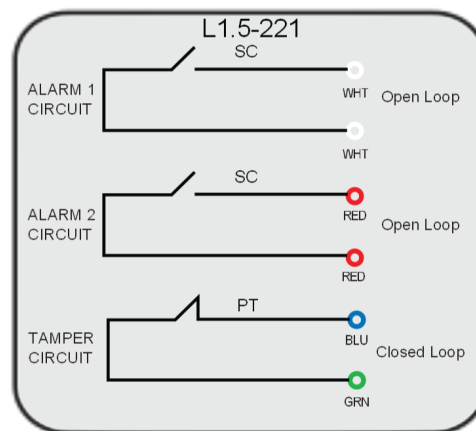
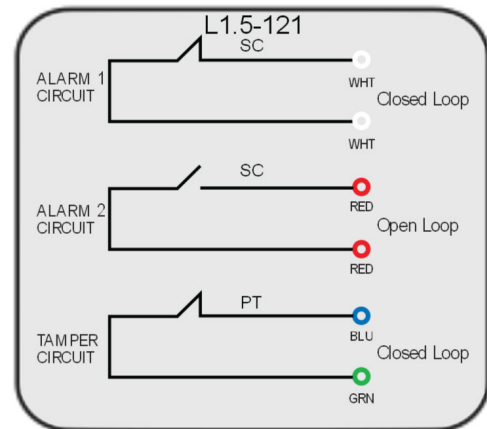
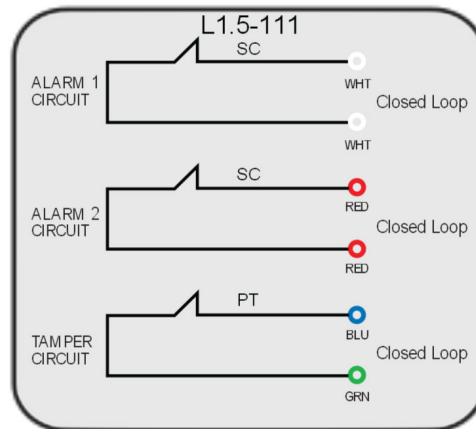
## Single Alarm Models



## HS L1.5 Wiring Schematics

Contact States  
Shown with  
Magnet in Place

## Dual Alarm Models



### Legend / Notes

SC = Secure Contact  
PT = Pry Tamper

Wire Lead Type: 22Gauge (AWG),  
18" [46cm] Armored Cable (Std.),  
(See Page 41 for Custom  
Cable Length)