
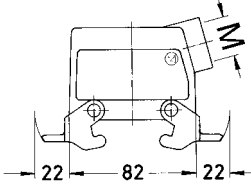
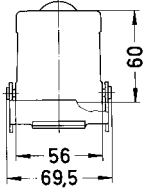

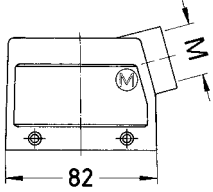
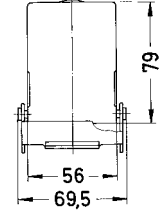



Metal hoods/housings for industrial applications
double locking lever

Identification	Cable entry	Part number		Drawing Dimensions in mm	
		Low construction	High construction		
Han A® , Hoods, side entry, Han-Easy Lock® 	1xM25 1xM32	19 20 032 1531	19 20 032 0537		
Han A® , Hoods, side entry 	1xM25 1xM32	19 20 032 1521	19 20 032 0527		
Han A® , Hoods, top entry, Han-Easy Lock® 	1xM32		19 20 032 0437	