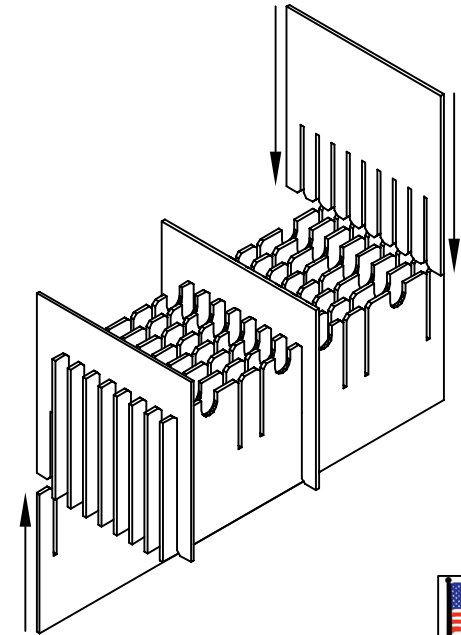
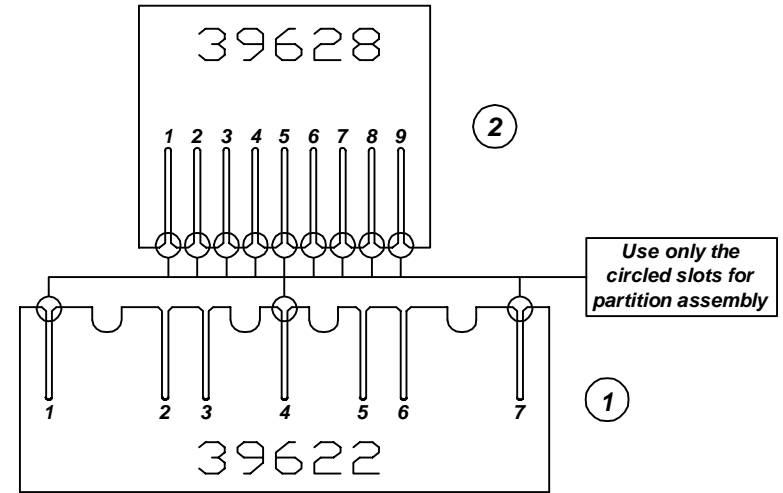
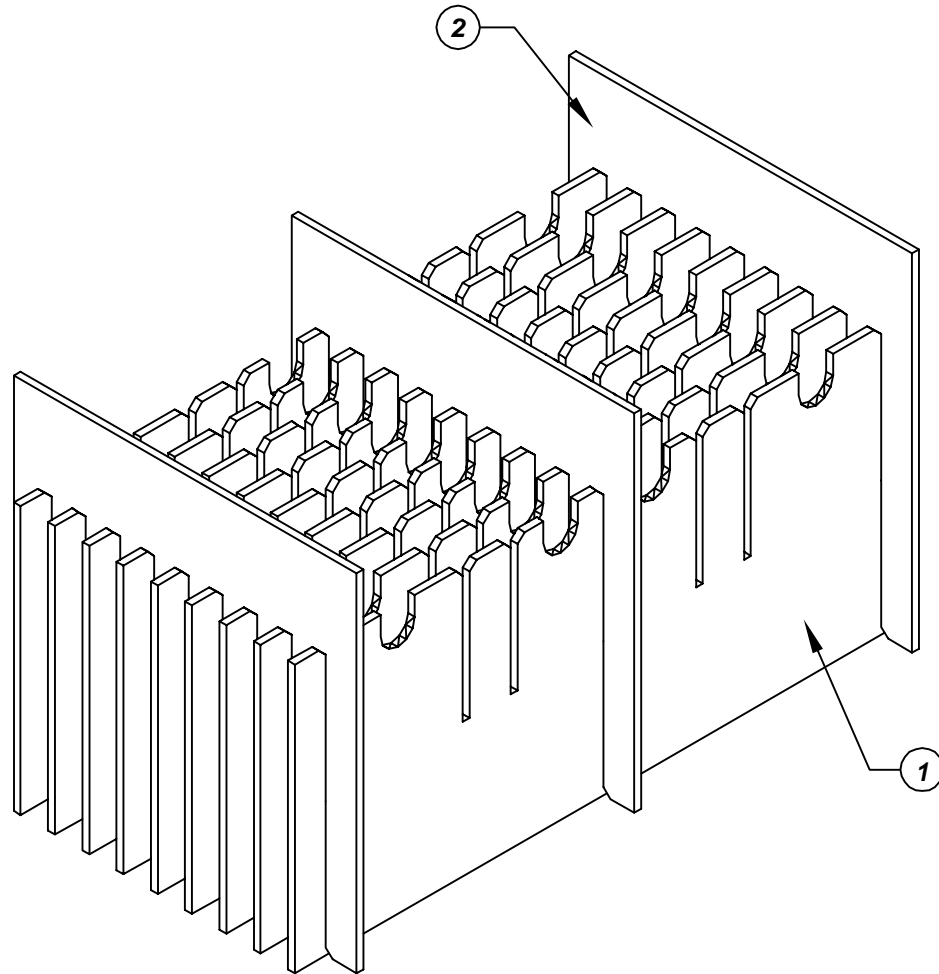


# Assembly Instructions for - 37189



Made in America

F/N ①	Part # <b>39622</b>	Dimensions: <b>19-3/4" x 22-3/4"</b>	Description: <b>404/440-LP Long Partition</b>	Qty: <b>9</b>
F/N ②	Part # <b>39628</b>	Dimensions: <b>25-1/2" x 12-1/2"</b>	Description: <b>404-SP Short Partition</b>	Qty: <b>3</b>

Notes:  
For use with the following storage container & lid:  
37504 - Storage Container  
37552 - Lid

PROTEKTIVE PAK  
13520 MONTE VISTA AVENUE, CHINO, CA 91710  
PHONE (909) 627-2578, FAX (909) 363-7331  
ProtektivePak.com



DRAWING NUMBER  
**IPH-37189**

DATE  
**Dec. 2007**

**37189 - 20 Cell Inplant Handler**  
**Cell Size - 12-5/8" x 10" x 1"**