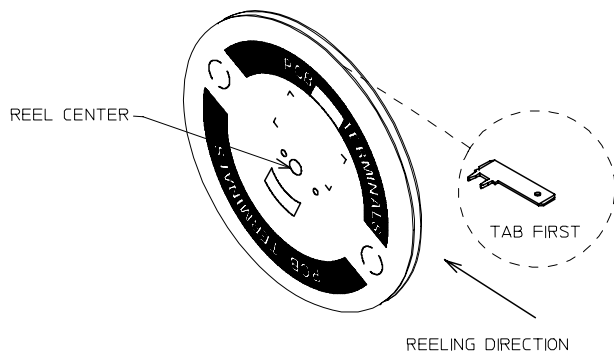
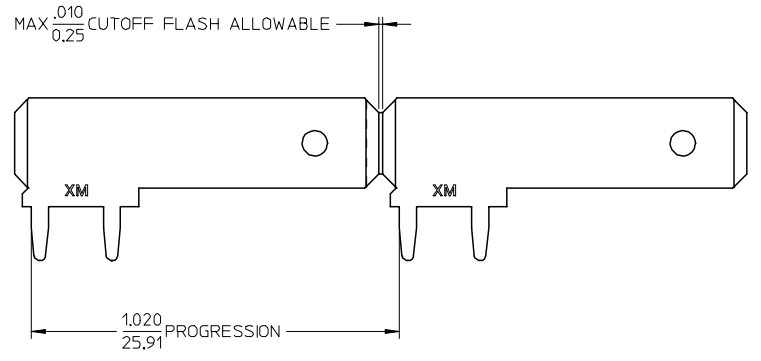
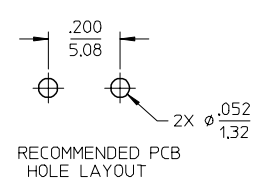
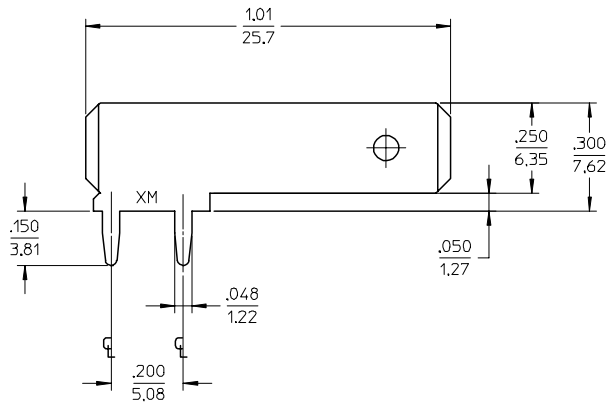


MATERIAL NUMBER	ENGINEERING NUMBER	CARRIER
197114003	19711-4003	STRIP
197114007	19711-4007	



- NOTES:
1. BARE EDGES PERMISSIBLE AT CARRIER CUT OFF.
  2. MATERIAL: BRASS C26000 (.032/0.81) THICK
  3. TAB CONFORMS TO NEMA SPECIFICATIONS.
  4. ALL DIMENSIONS AND NOTES REFERENCE UNLESS OTHERWISE NOTED.
  5. PLATING: MATTE TIN, 150MN/3.81 μm MINIMUM THICKNESS OVER NICKEL 50MN/1.254mm MINIMUM THICKNESS.
  6. REF.: 5,000 MINIMUM PARTS PER REEL, REEL HAS 24" DIAMETER REEL WITH A 1.25" DIAMETER CENTER HOLE.

EC NO: ETC2003-0292 DRWN: DMYRICK 2004/05/13 CHKD: HBEITZE 2004/05/14 APPR: RDEROSS 2004/05/14	QUALITY SYMBOLS	GENERAL TOLERANCES (UNLESS SPECIFIED)	SCALE 4:1	DESIGN UNITS INCH	THIRD ANGLE PROJECTION	REVISE ON CAD ONLY															
	▽-0 ◻-0	<table border="1"> <tr> <th></th> <th>mm</th> <th>INCH</th> </tr> <tr> <td>4 PLACES</td> <td>± ---</td> <td>± ---</td> </tr> <tr> <td>3 PLACES</td> <td>± ---</td> <td>± .005</td> </tr> <tr> <td>2 PLACES</td> <td>± 0.13</td> <td>± .01</td> </tr> <tr> <td>1 PLACE</td> <td>± 0.25</td> <td>± ---</td> </tr> </table>		mm	INCH	4 PLACES	± ---	± ---	3 PLACES	± ---	± .005	2 PLACES	± 0.13	± .01	1 PLACE	± 0.25	± ---	DIMENSION STYLE IN/MM		TITLE QUICK DISCONNECT PCB MOUNTABLE .250 X .032 TAB	
			mm	INCH																	
		4 PLACES	± ---	± ---																	
3 PLACES	± ---	± .005																			
2 PLACES	± 0.13	± .01																			
1 PLACE	± 0.25	± ---																			
DRAFT WHERE APPLICABLE		DRAWN BY EDB DATE 11/08/96 CHECKED BY JH DATE 11/08/96 APPROVED BY RWD DATE 11/08/96	MOLEX INCORPORATED MATERIAL NO. SEE CHART DOCUMENT NO. SD-19711-400		SHEET NO. 1 OF 1																
MUST REMAIN WITHIN DIMENSIONS		THIS DRAWING CONTAINS INFORMATION THAT IS PROPRIETARY TO MOLEX INCORPORATED AND SHOULD NOT BE USED WITHOUT WRITTEN PERMISSION																			