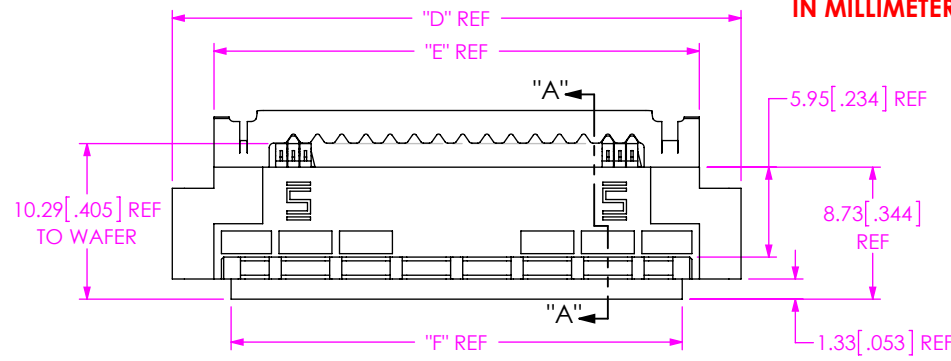


DO NOT SCALE FROM THIS PRINT

DESIGNED & DIMENSIONED IN MILLIMETERS [INCHES]

SEAF8-XX-X-X-XX-X-RA-XX



No. OF POSITIONS
 *-10, -20, -30, -40, -50 (PER ROW)

LEAD STYLE
 -1

PLATING SPECIFICATION
 -S: 30μ" SELECTIVE GOLD IN CONTACT AREA, MATTE TIN ON TAIL (USE SUB-IM-C-293-XX-XX-S-X)

No. OF ROWS
 **-04: 4 ROWS
 *-06: 6 ROWS
 -08: 8 ROWS (SEE NOTE 8)
 -10: 10 ROWS (SEE NOTE 8)

OPTION
 -GP: GUIDE POST

RIGHT ANGLE
 -RA

SOLDER COMPOSITION & STYLE
 2: 95.5% TIN / 3.8% SILVER / 0.7% COPPER LEAD FREE CHARGE TAIL (USE SUB-IM-C-293-XX-XX-X-2)

(* = NOT TOOLED)
 (** = NOT ENGINEERING APPROVED)

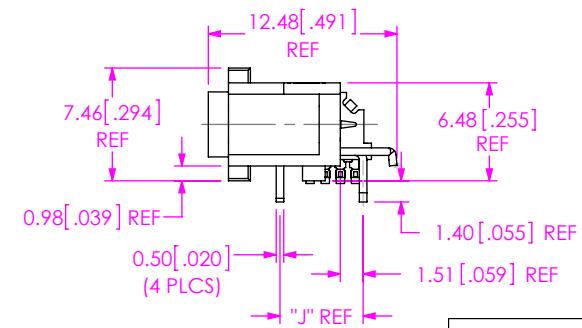
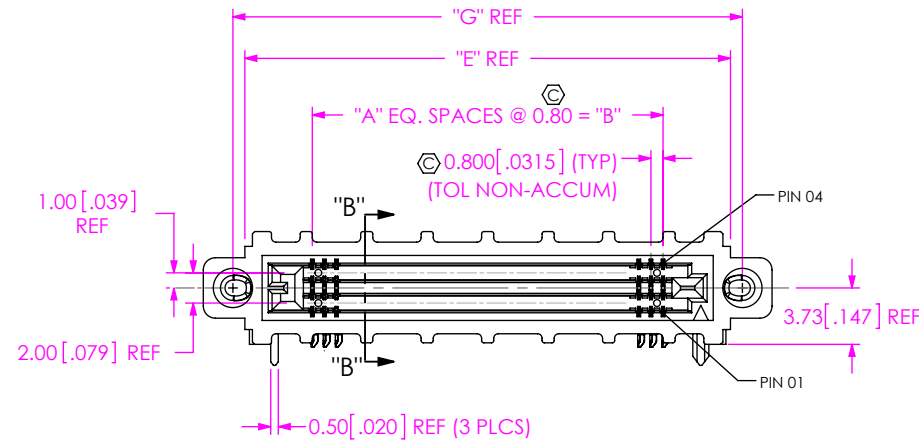


TABLE 2

ROWS	"J"	"K"
** -04	5.50 [0.217]	9.42 [0.371]
*-06	7.50 [0.295]	11.42 [0.450]
-08	9.50 [0.374]	13.42 [0.528]
-10	11.50 [0.453]	15.42 [0.607]

(* = NOT TOOLED)
 (** = NOT ENGINEERING APPROVED)

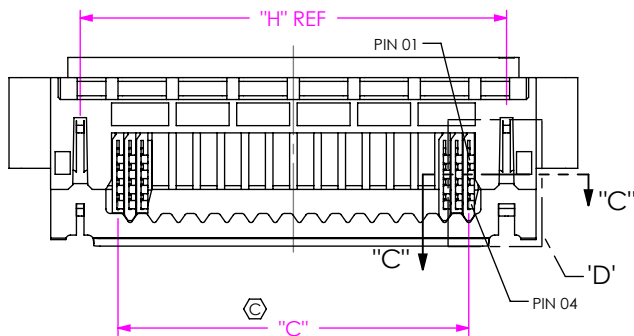



FIG 1
 (SEAF8-30-1-X-04-X-RA-GP SHOWN)
 (SOME CENTER FEATURES REMOVED FOR CLARITY (NOT ENGINEERING APPROVED))

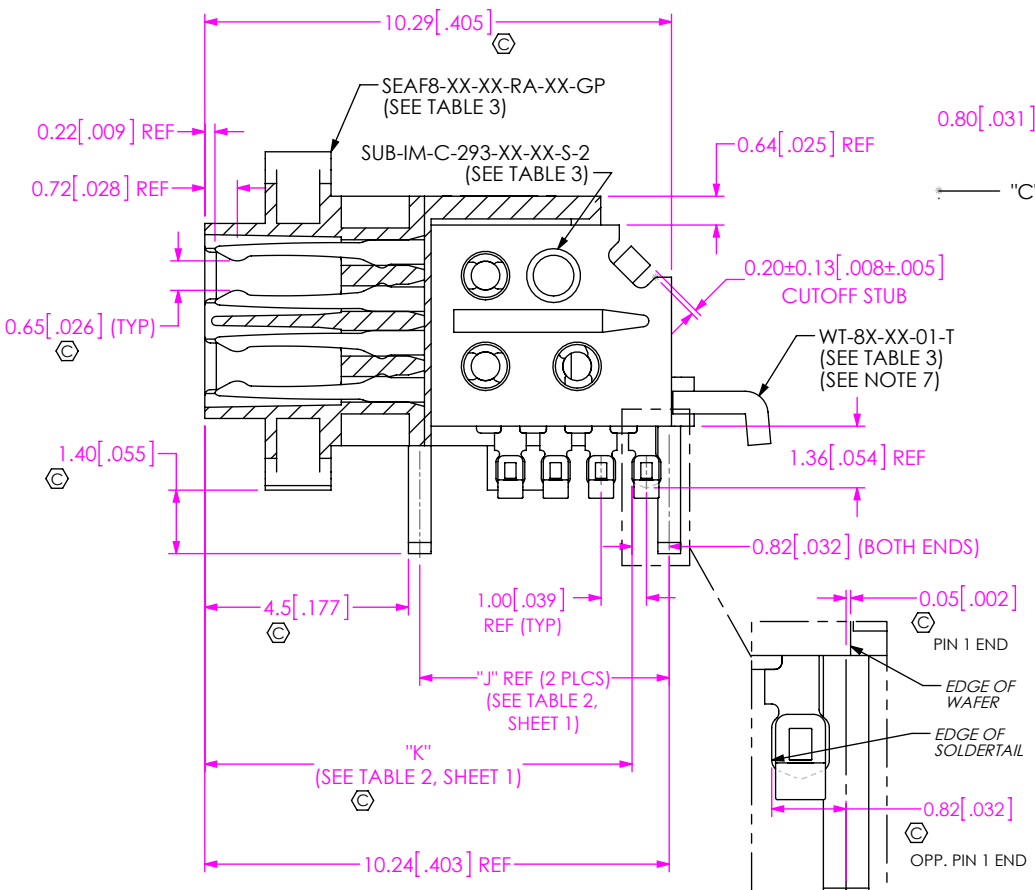
TABLE 1

No. OF POS	"A"	"B"	"C"	"D"	"E"	"F"	"G"	"H"
*-10	9	7.200 [0.2835]	7.20 [0.283]	21.62 [0.851]	16.12 [0.635]	13.84 [0.545]	17.70 [0.697]	12.20 [0.487]
-20	19	15.200 [0.5984]	15.20 [0.598]	29.62 [1.166]	24.12 [0.950]	21.84 [0.860]	25.70 [1.012]	20.20 [0.802]
-30	29	23.200 [0.9134]	23.20 [0.913]	37.62 [1.481]	32.12 [1.265]	29.84 [1.175]	33.70 [1.327]	28.20 [1.117]
-40	39	31.200 [1.2283]	31.20 [1.228]	45.62 [1.796]	40.12 [1.580]	37.84 [1.490]	41.70 [1.642]	36.20 [1.432]
-50	49	39.200 [1.5433]	39.20 [1.543]	53.62 [2.111]	48.12 [1.894]	45.84 [1.805]	49.70 [1.957]	44.20 [1.747]

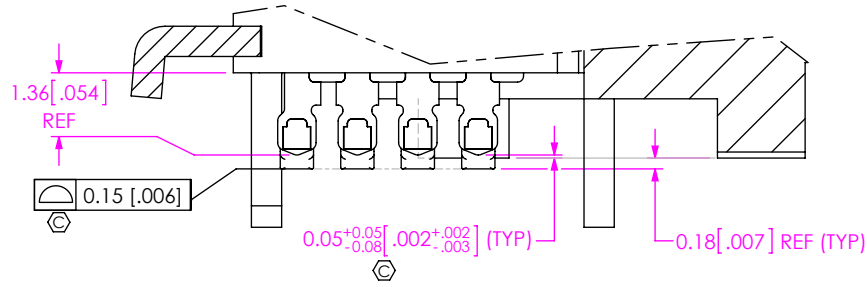
(* = NOT TOOLED)

- NOTES:**
1. C REPRESENTS A CRITICAL DIMENSION.
 2. MINIMUM PUSHOUT FORCE: 2.22N [5 LB].
 3. NOTE DELETED.
 4. TAPE & REEL IS STANDARD PACKAGING.
 5. FOR QUANTITIES UP TO 49 PCS., NO LEADER, TRAILER OR REEL WILL BE SUPPLIED, FOR QUANTITIES OF 50-124 PCS., NO LEADER OR TRAILER WILL BE SUPPLIED, SPLICES MAY BE PRESENT.
 6. ATTACH LABEL "SEAX-0001" TO EACH TAPE & REEL PACKAGE.
 7. MINIMUM PUSHOUT FORCE: 8.9N [2.0 LB.]
 8. -08 & -10 ROW ARE RELEASED FOR NITROGEN ENVIRONMENT PROCESSING ONLY. NOT RECOMMENDED FOR AIR ONLY PROCESSING

<p>UNLESS OTHERWISE SPECIFIED, DIMENSIONS ARE IN MILLIMETERS [INCHES].</p> <p>TOLERANCES ARE:</p> <p>DECIMALS ANGLES</p> <p>X.X: ±0.3 [0.1] 2°</p> <p>X.XX: ±0.13 [0.05]</p> <p>X.XXX: ±0.051 [0.020]</p> <p>MATERIAL: DO NOT SCALE DRAWING SHEET SCALE: 2:1</p> <p>INSULATOR: LCP, UL-94V-0; COLOR: BLACK</p> <p>CONTACT: COPPER ALLOY</p> <p>WELD TAB: COPPER ALLOY</p>	<p>PROPRIETARY NOTE</p> <p>THIS DOCUMENT CONTAINS CONFIDENTIAL AND PROPRIETARY INFORMATION AND ALL DESIGN, MANUFACTURING, REPRODUCTION, USE, PATENT RIGHTS AND SALES RIGHTS ARE EXPRESSLY RESERVED BY SAMTEC, INC. THIS DOCUMENT SHALL NOT BE DISCLOSED, IN WHOLE OR PART, TO ANY UNAUTHORIZED PERSON OR ENTITY NOR REPRODUCED, TRANSFERRED OR INCORPORATED IN ANY OTHER PROJECT IN ANY MANNER WITHOUT THE EXPRESS WRITTEN CONSENT OF SAMTEC, INC.</p>	 <p>520 PARK EAST BLVD, NEW ALBANY, IN 47150 PHONE: 812-944-6733 FAX: 812-948-5047 e-Mail: info@SAMTEC.com code 53322</p>		
			<p>DESCRIPTION: 0.80MM PITCH RA SOCKET ARRAY ASSY</p>	
			<p>DWG. NO. SEAF8-XX-X-X-XX-X-RA-XX</p>	
<p>BY: KNOWLDEN 7/9/2013</p>		<p>SHEET 1 OF 4</p>		



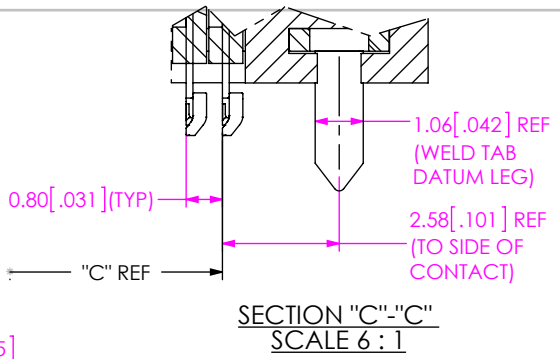
SECTION "A"-"A"
SCALE 6:1
(ROTATED FOR CLARITY)



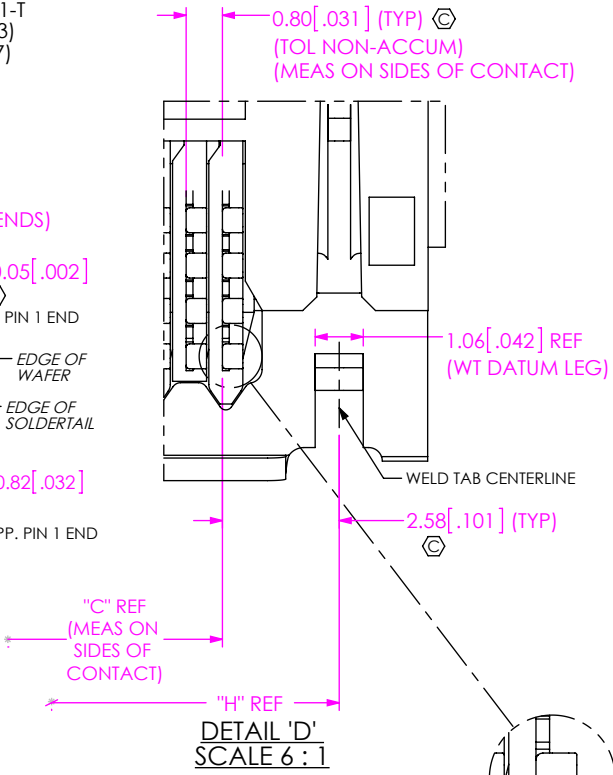
SECTION "B"-"B"
SCALE 8:1

TABLE 3			
ROWS	"BODY CALLOUT"	"CONTACT WAFER"	"WELD TAB"
**-04	SEAF8-XX-XX-RA-04-XX	SUB-IM-C-293-XX-04-X-X	WT-82-XX-01-T
*-06	SEAF8-XX-XX-RA-06-XX	SUB-IM-C-293-XX-06-X-X	WT-82-XX-02-T
-08	SEAF8-XX-XX-RA-08-XX	SUB-IM-C-293-XX-08-X-X	WT-85-XX-01-T
-10	SEAF8-XX-XX-RA-10-XX	SUB-IM-C-293-XX-10-X-X	WT-85-XX-02-T

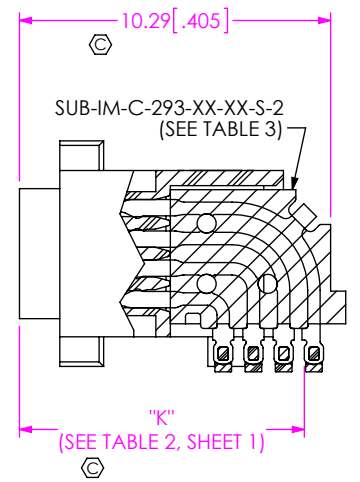
(* = NOT TOOLED) (** = NOT ENGINEERING APPROVED)



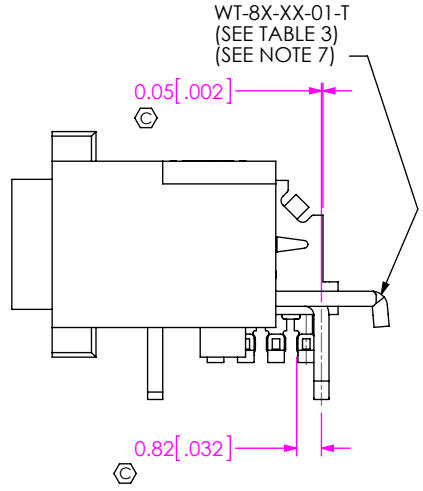
SECTION "C"-"C"
SCALE 6:1



DETAIL "D"
SCALE 6:1



IN-PROCESS 1
(FILL SUB-IM-C-293)
(TYPICAL ALL WAFERS)



IN-PROCESS 2
(FILL WT-8X-XX-T)

PROPRIETARY NOTE
THIS DOCUMENT CONTAINS CONFIDENTIAL AND PROPRIETARY INFORMATION AND ALL DESIGN, MANUFACTURING, REPRODUCTION, USE, PATENT RIGHTS AND SALES RIGHTS ARE EXPRESSLY RESERVED BY SAMTEC, INC. THIS DOCUMENT SHALL NOT BE DISCLOSED, IN WHOLE OR PART, TO ANY UNAUTHORIZED PERSON OR ENTITY NOR REPRODUCED, TRANSFERRED OR INCORPORATED IN ANY OTHER PROJECT IN ANY MANNER WITHOUT THE EXPRESS WRITTEN CONSENT OF SAMTEC, INC.

DO NOT SCALE DRAWING

SHEET SCALE: 2:1

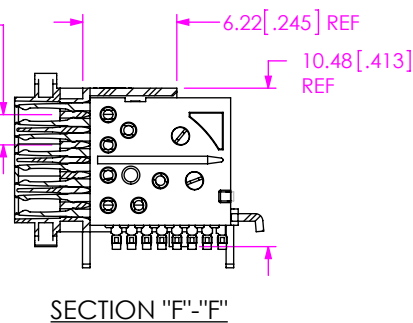
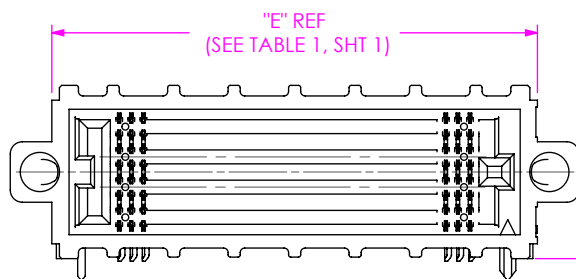
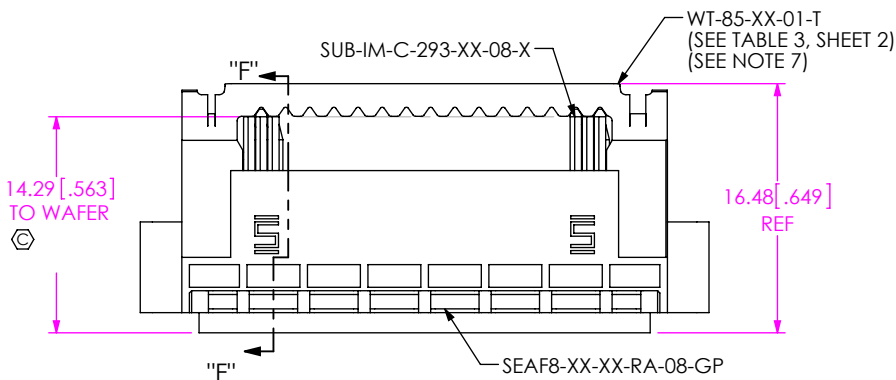
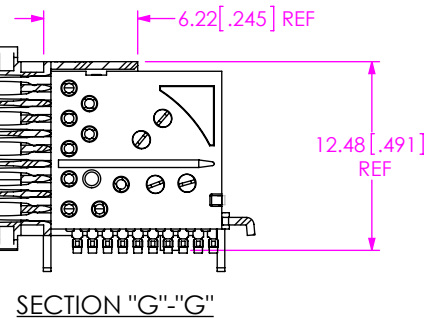
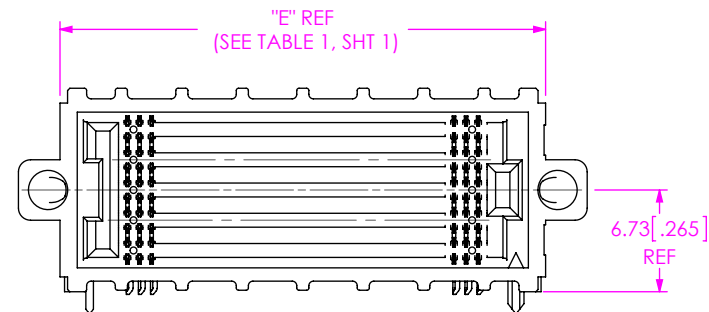
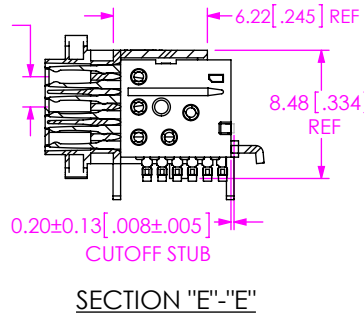
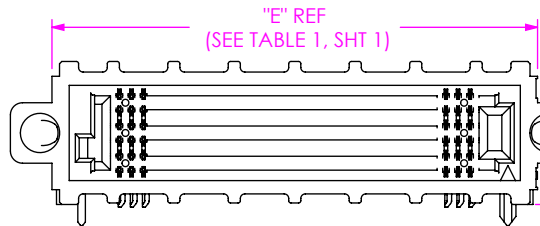
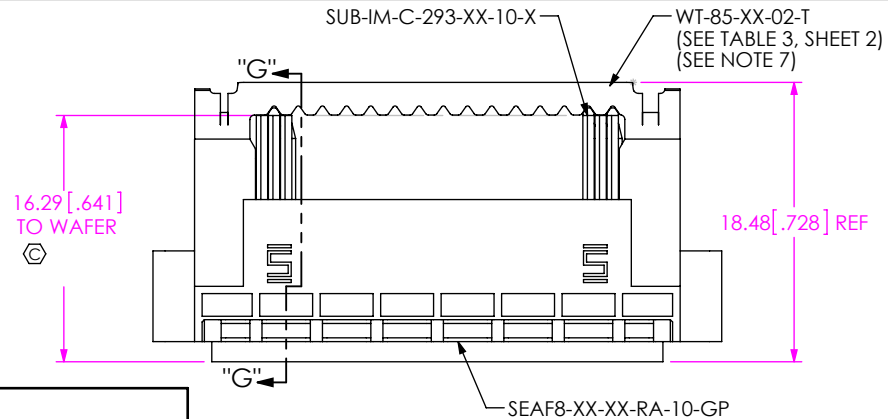
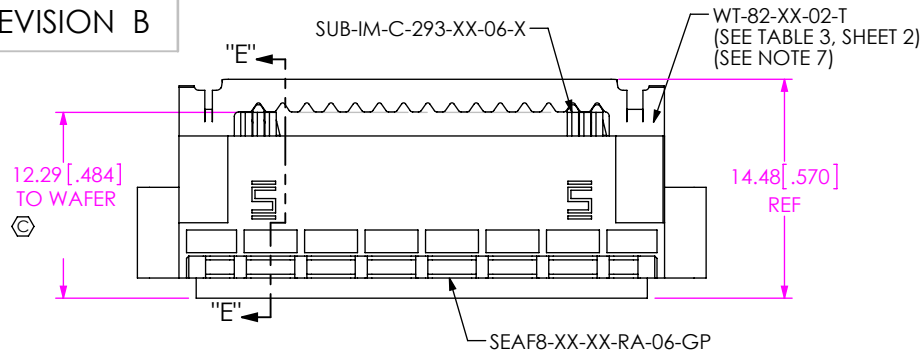


520 PARK EAST BLVD, NEW ALBANY, IN 47150
PHONE: 812-944-6733 FAX: 812-948-5047
e-Mail info@SAMTEC.com code 55322

DESCRIPTION:
0.80MM PITCH RA SOCKET ARRAY ASSY

DWG. NO.
SEAF8-XX-X-X-XX-X-RA-XX

BY: KNOWLDEN 7/9/2013 SHEET 2 OF 4



PROPRIETARY NOTE
 THIS DOCUMENT CONTAINS CONFIDENTIAL AND PROPRIETARY INFORMATION AND ALL DESIGN, MANUFACTURING, REPRODUCTION, USE, PATENT RIGHTS AND SALES RIGHTS ARE EXPRESSLY RESERVED BY SAMTEC, INC. THIS DOCUMENT SHALL NOT BE DISCLOSED, IN WHOLE OR PART, TO ANY UNAUTHORIZED PERSON OR ENTITY NOR REPRODUCED, TRANSFERRED OR INCORPORATED IN ANY OTHER PROJECT IN ANY MANNER WITHOUT THE EXPRESS WRITTEN CONSENT OF SAMTEC, INC.

DO NOT SCALE DRAWING
 SHEET SCALE: 2:1



520 PARK EAST BLVD, NEW ALBANY, IN 47150
 PHONE: 812-944-6733 FAX: 812-948-5047
 e-Mail info@SAMTEC.com code 55322

DESCRIPTION:
 0.80MM PITCH RA SOCKET ARRAY ASSY

DWG. NO.
 SEAF8-XX-X-XX-X-RA-XX

BY: KNOWLDEN 7/9/2013 SHEET 3 OF 4

NO GUIDE POST VERSION

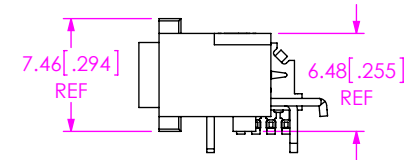
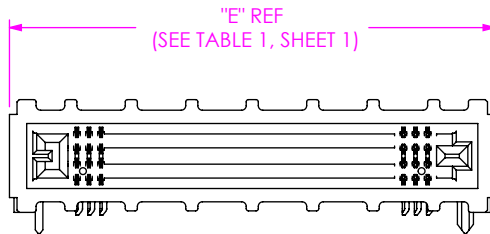
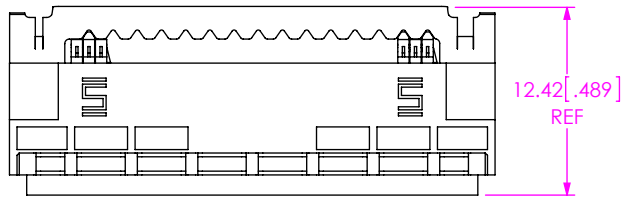


FIG 5
 (SEAF8-30-1-X-04-X-RA SHOWN)
 (SAME AS FIG 1, EXCEPT AS SHOWN)
 (SOME CENTER FEATURES REMOVED FOR CLARITY)
 (NOT ENGINEERING APPROVED)

PROPRIETARY NOTE
 THIS DOCUMENT CONTAINS CONFIDENTIAL AND PROPRIETARY INFORMATION AND ALL DESIGN, MANUFACTURING, REPRODUCTION, USE, PATENT RIGHTS AND SALES RIGHTS ARE EXPRESSLY RESERVED BY SAMTEC, INC. THIS DOCUMENT SHALL NOT BE DISCLOSED, IN WHOLE OR PART, TO ANY UNAUTHORIZED PERSON OR ENTITY NOR REPRODUCED, TRANSFERRED OR INCORPORATED IN ANY OTHER PROJECT IN ANY MANNER WITHOUT THE EXPRESS WRITTEN CONSENT OF SAMTEC, INC.

DO NOT SCALE DRAWING

SHEET SCALE: 2:1



520 PARK EAST BLVD, NEW ALBANY, IN 47150
 PHONE: 812-944-6733 FAX: 812-948-5047
 e-Mail info@SAMTEC.com code 55322

DESCRIPTION:
 0.80MM PITCH RA SOCKET ARRAY ASSY

DWG. NO.
 SEAF8-XX-X-X-XX-X-RA-XX

BY: KNOWLDEN 7/9/2013 SHEET 4 OF 4