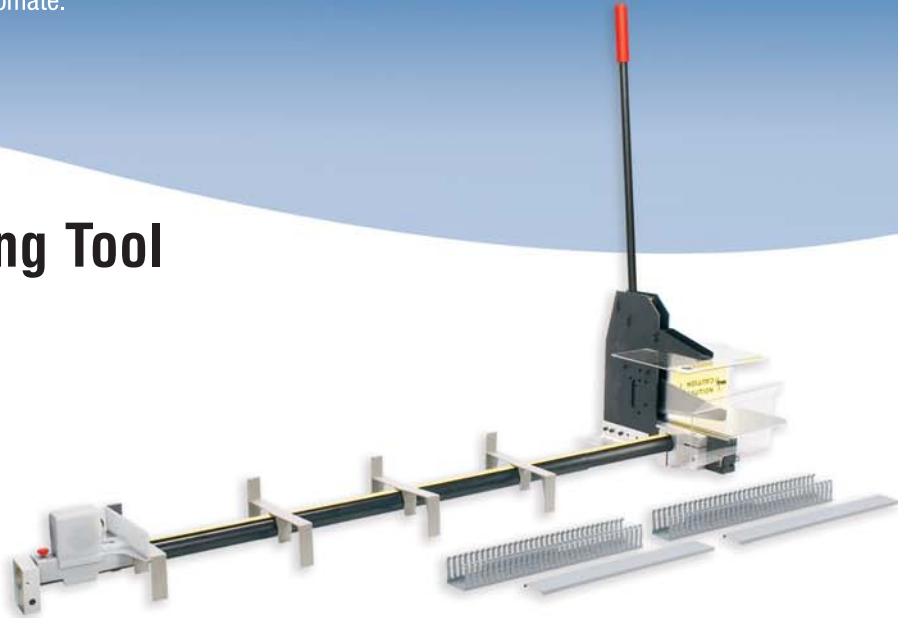


Bench Mount Duct Cutting Tool

The Panduit bench mount duct cutting tool is the ideal wiring duct cutting solution for industrial control applications.

The tool provides accurate measurement and consistent, burr-free cuts for reduced scrap. The tool has an extended blade length to cut a full range of slotted duct and cover up to 6 inches wide. Hand operation provides quiet, dust-free production without the noise and housekeeping associated with power tools. The low cut-force handle speeds product flow while minimizing user fatigue. The tool accommodates left-hand or right-hand setup and features an innovative telescoping measuring bar to suit full-size tables or smaller rolling carts.



Designed and manufactured by Panduit for use with Panduit® Type G, F, H, HN, MC, NNC, NE, TNC Slotted Ducts and corresponding duct covers in all sizes.

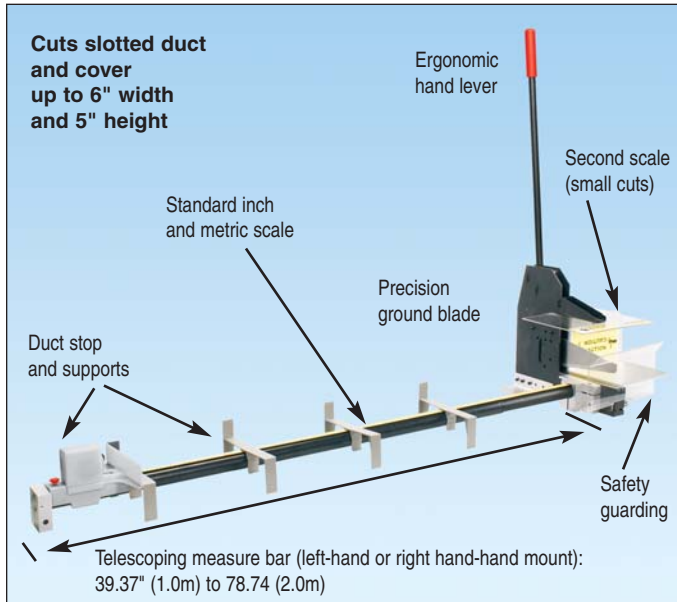
Key Features

Benefits

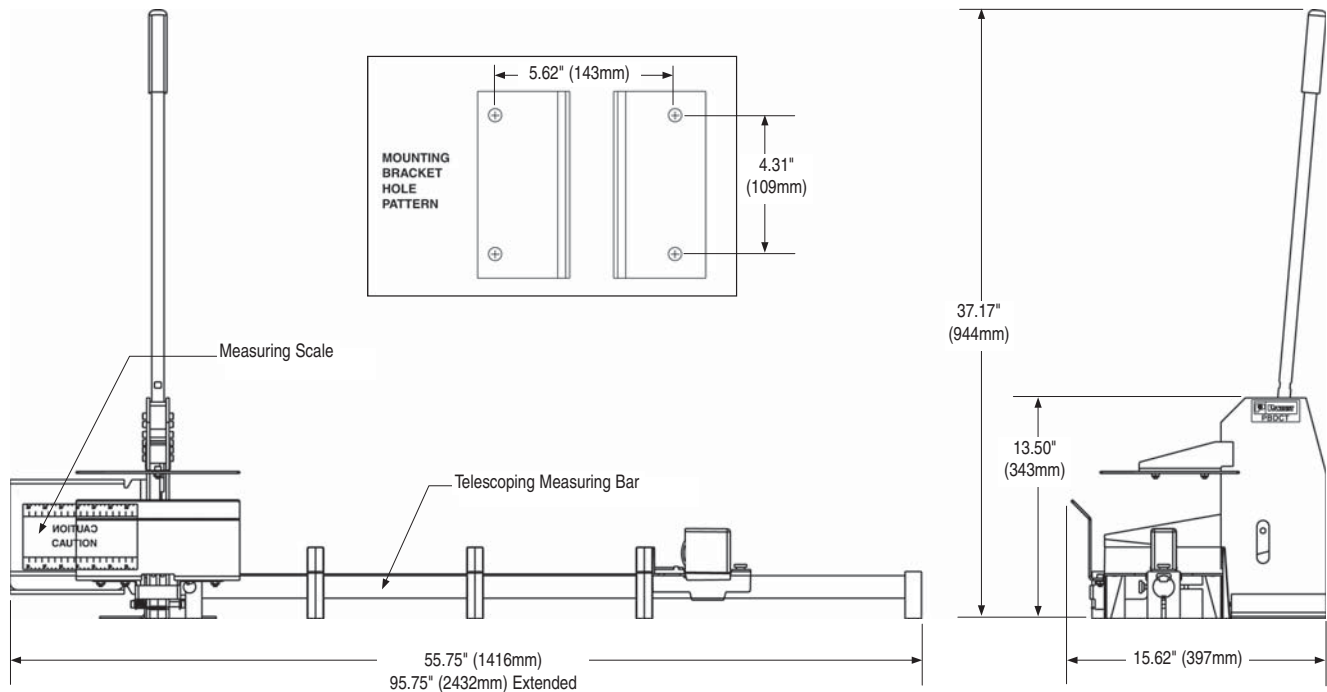
Bench mount design	Portable tool cuts mid-to-high volumes of wiring duct and cover; increases productivity over using hand tools
Ergonomic, hand actuated cutting mechanism with precision ground steel blade	Provides accurate, quiet, and dust-free cutting of wiring duct or cover up to 6" wide without electrical power; resulting in lower maintenance, reduced scrap, and reduced operator fatigue
Telescoping measuring bar	Measuring bar adjusts from 39.37" (1.0m) to 78.74" (2.0m) in length for convenience and portability
Standard and metric scale	Allows accurate measurement of duct and cover length from 4.0" (100mm) up to 6.5' (2m)
Safety guards	Protect operator from cutting blade and maintain workplace safety
Right-hand or left-hand mounted measuring bar and duct stop	Tool can be configured for optimal cutting position for LH or RH operator for improved comfort and productivity
Factory assembled base and cutting mechanism	Major components are pre-assembled for quick, easy setup and immediate use

Bench Mount Duct Cutting Tool

Ordering Information



Part Number	Description	Std. Pkg. Qty.
PBDCT	Bench mount cutter tool cuts slotted wiring duct and wiring duct covers with up to 6.00" wide and 5.00" high; full 78.74" (2.0m) measure scale; includes safety guarding.	1
PBDCT-BLD	Replacement blade for PBDCT bench mount wiring duct cutter.	1



WORLDWIDE SUBSIDIARIES AND SALES OFFICES

PANDUIT CANADA
Markham, Ontario
cs-cdn@panduit.com
Phone: 800.777.3300

PANDUIT EUROPE LTD.
London, UK
cs-emea@panduit.com
Phone: 44.20.8601.7200

PANDUIT SINGAPORE PTE. LTD.
Republic of Singapore
cs-ap@panduit.com
Phone: 65.6305.7575

PANDUIT JAPAN
Tokyo, Japan
cs-japan@panduit.com
Phone: 81.3.6863.6000

PANDUIT LATIN AMERICA
Guadalajara, Mexico
cs-la@panduit.com
Phone: 52.33.3777.6000

PANDUIT AUSTRALIA PTY. LTD.
Victoria, Australia
cs-aus@panduit.com
Phone: 61.3.9794.9020

For a copy of Panduit product warranties, log on to www.panduit.com/warranty

For more information

Visit us at www.panduit.com

Contact Customer Service by email: cs@panduit.com
or by phone: 800.777.3300 and reference WDCB19

©2012 Panduit Corp.
ALL RIGHTS RESERVED.
Product Bulletin Number **WW-WDCB19**
6/2012