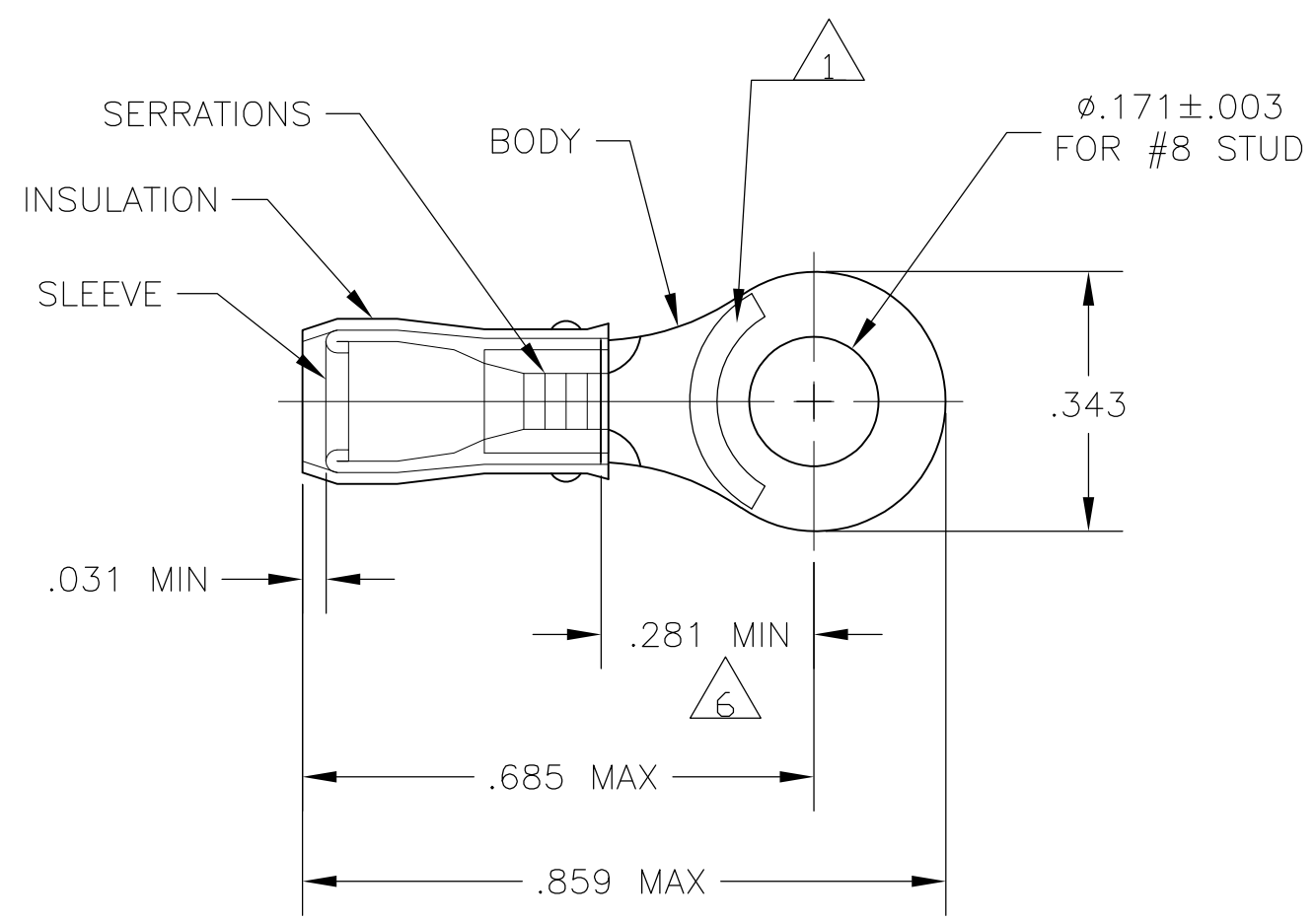


THIS DRAWING IS UNPUBLISHED. RELEASED FOR PUBLICATION
 © COPYRIGHT - By - ALL RIGHTS RESERVED.

LOC	DIST	REVISIONS					
		P	LTR	DESCRIPTION	DATE	DWN	APVD
G	14		F2	REVISED PER ECO-11-004820	11MAR11	RK	HMR



- ① STAMP AMP 16-14* APPROX AS SHOWN
- 2 WIRE INSULATION DIA: .105-.150
- 3 TONGUE MATERIAL THK: .031±.002
- ④ BODY & SLEEVE: TIN PLATE PER ASTM B545,
- ⑤ BODY & SLEEVE- CU PER ASTM B152 INSULATION - NYLON, COLOR - BLUE
- ⑥ APPLIES FROM EDGE OF METAL WIRE BARREL TO CENTER OF STUD HOLE.

100	LOOSE PIECE, BOX	8-320560-1
5000	320560 ON TAPE	2-320560-1
1000	LOOSE PIECE	320560
QTY	PACKAGE TYPE	PART NO

AMP INCORPORATED CUSTOMER SERVICE SYSTEMS		MAX RECOMMENDED OPERATING TEMPERATURE: 105°C MAX	THIS DRAWING IS A CONTROLLED DOCUMENT.		DWN JR RUTH 08JAN07	TE Connectivity							
FOR ADDITIONAL PRODUCT INFORMATION OR COPIES OF DRAWINGS AND TECHNICAL DOCUMENTS	PRODUCT INFORMATION CENTER 1-800-522-6752	VOLTAGE RATING: -	DIMENSIONS: INCHES	TOLERANCES UNLESS OTHERWISE SPECIFIED:	CHK T MICHELUTTI 08JAN07				NAME TERMINAL, RING TONGUE, P.I.D.G. WIRE SIZE: 16-14 AWG				
FOR APPLICATION TOOLING INFORMATION	TOOLING ASSISTANCE CENTER 1-800-722-1111	CIRCULAR MIL AREA: 1.04-2.62mm ² [2,050-5,180] STRANDED		0 PLC ± - 1 PLC ± - 2 PLC ± - 3 PLC ± - 4 PLC ± - ANGLES ± -	APVD T MICHELUTTI 08JAN07	PRODUCT SPEC	SIZE	CAGE CODE	DRAWING NO	RESTRICTED TO			
FOR ORDER ENTRY	1-800-526-5142	THIS DRAWING IS A CONTROLLED DOCUMENT FOR AMP INCORPORATED. IT IS SUBJECT TO CHANGE AND THE CONTROLLING ENGINEERING ORGANIZATION SHOULD BE CONTACTED FOR THE LATEST REVISION.	MATERIAL - ⑤	FINISH - ④	PRODUCT SPEC	APPLICATION SPEC	A3	00779	C-320560	-			
					CUSTOMER DRAWING			SCALE	4:1	SHEET	1 OF 1	REV	F2