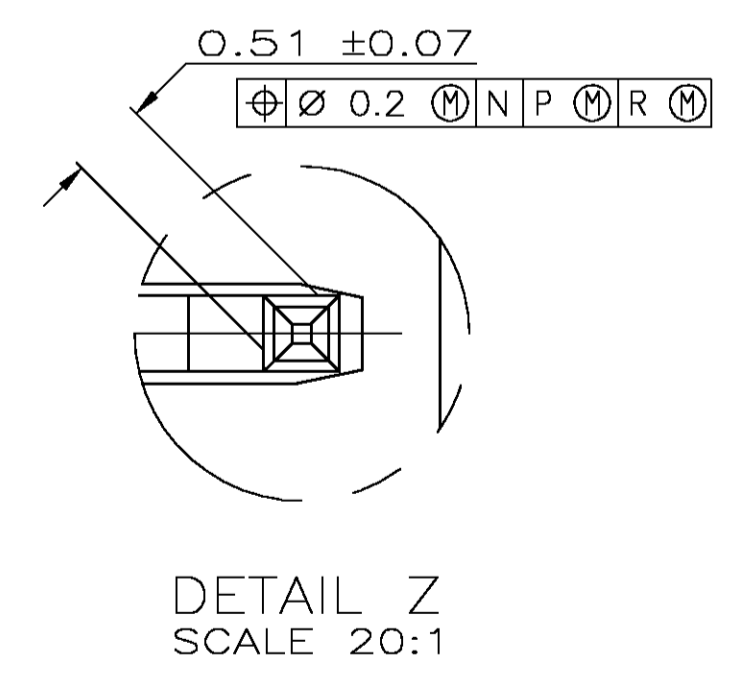


RECOMMENDED CIRCUIT PATTERN
 PER IPC-D300 TYPE II, CLASS C
 (COMPONENT SIDE)

- 1 HOUSING MATERIAL: LIQUID CRYSTAL POLYMER PER ASTM D5138 LCP000 G30A 32250.
- 2 CONTACT MATERIAL: PHOSPHOR BRONZE PER UNS ALLOY NO. C51100, TEMPER: H04.
- 3 CONTACT FINISH:(E)
 UNDERPLATE (ENTIRE CONTACT):
 0.00127 MIN NICKEL PER SAE-AMS-QQ-N-290
 ON MATING SURFACES:
 FLASH GOLD PER ASTM B 488, OVER
 0.00076 MIN PALLADIUM-NICKEL OVER UNDERPLATE, OR
 0.00076 MIN GOLD PER ASTM B 488 OVER UNDERPLATE.
 ON LEADS:
 0.00381 MIN MATTE TIN PER ASTM B 545 OVER UNDERPLATE.
 LUBRICATION (MIN MATING SURFACES):
 SURFACE CONDITIONER AFTER PLATING.
- 4 PART MARKING, LOCATED APPROXIMATELY AS SHOWN.



ROW	D	CD	CD
	C	CE	CE
	B	CF	CF
	A	CF	CF
	1	2	
POSITION			

CODE LETTER	MATING POST LENGTH ±0.10	LEAD LENGTH (REF)
CD	6.5	3.2
CE	7.25	3.2
CF	8	3.2

6	1	10	5	11.88	3	8	5536621-1
E	D	C	B	A	FINISH	NO OF POSN	PART NUMBER
THIS DRAWING IS A CONTROLLED DOCUMENT.				DIN D.R.BENDER 08/17/94		Tyco Electronics Corporation	
DIMENSIONS: INCHES				D.R.BAECHTLE 08/18/94		Harrisburg, Pa 17105-3608	
TOLERANCES UNLESS OTHERWISE SPECIFIED:				APVD		NAME	
0 PLC ± -				PRODUCT SPEC		PIN ASSEMBLY, POWER MODULE, Z-PACK 2mm FB,	
1 PLC ± -				APPLICATION SPEC		2mm FB, SEQUENCED, BY ROW,	
2 PLC ± ± 0.13				SIZE		SOLDER LEADS	
3 PLC ± -				WEIGHT		RESTRICTED TO	
4 PLC ± -				A1 00779 C=5536621		CUSTOMER DRAWING	
ANGLES ± -				SCALE 4:1		SHEET 1 OF 1	
FINISH				REV 0			