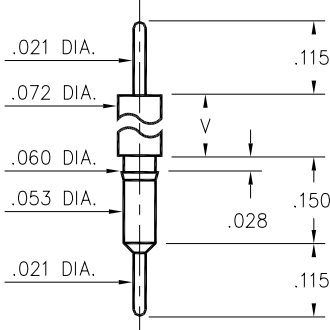


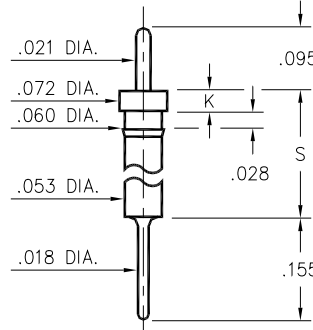
3406/3407



Basic Part Number	Shoulder Height V
3406-0	.350
3407-0	.600

340X-0-00-XX-00-00-03-0
Press-fit in .057 mounting hole

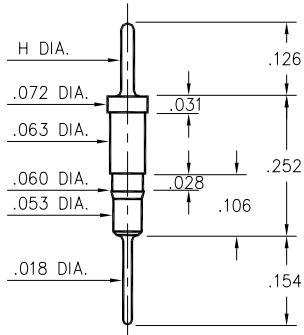
0315



Basic Part Number	Head Height K	Stand-off Height S
0315-0	.030	.190
0315-1	.040	.430

0315-X-00-XX-00-00-03-0
Press-fit in .057 mounting hole
Pin material is Ph Br 544 (B2)

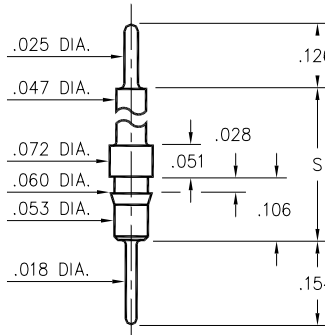
5503/5509



Basic Part Number	Pin Diameter H
5503-0	.025
5509-0	.018

550X-0-00-XX-00-00-03-0
Press-fit in .057 mounting hole

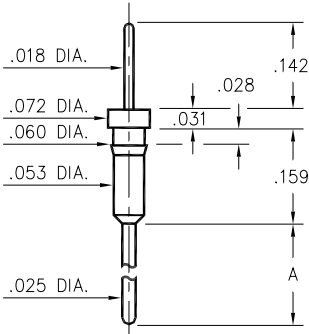
5504/5505



Basic Part Number	Standoff Height S
5504-0	.331
5505-0	.606

550X-0-00-XX-00-00-03-0
Press-fit in .057 mounting hole

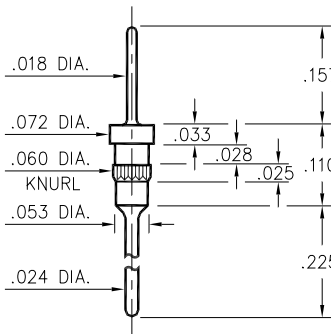
3409



Basic Part Number	Pin Length A
3409-1	.210
3409-2	.420

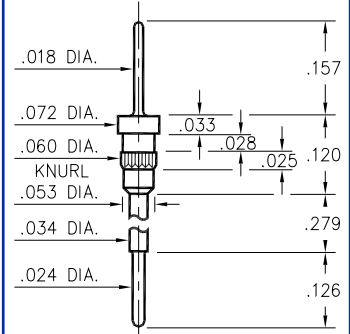
3409-X-00-XX-00-00-03-0
Press-fit in .057 mounting hole

5011



5011-0-00-XX-00-00-03-0
Press-fit in .057 mounting hole

5113



5113-0-00-XX-00-00-03-0
Press-fit in .057 mounting hole

SPECIFICATIONS

PIN MATERIAL:
Brass Alloy 360, 1/2 Hard
(Except where noted)

DIMENSION IN INCHES
TOLERANCES ON:
LENGTHS: ±.005
DIAMETERS: ±.002
ANGLES: ± 2°

ORDER CODE: XXXX - X - 00 - XX - 00 - 00 - 03 - 0

BASIC PART # →

SPECIFY PIN FINISH:
01 200μ" TIN/LEAD OVER NICKEL
15 10μ" GOLD OVER NICKEL
21 20μ" GOLD OVER NICKEL
34 50μ" GOLD OVER NICKEL