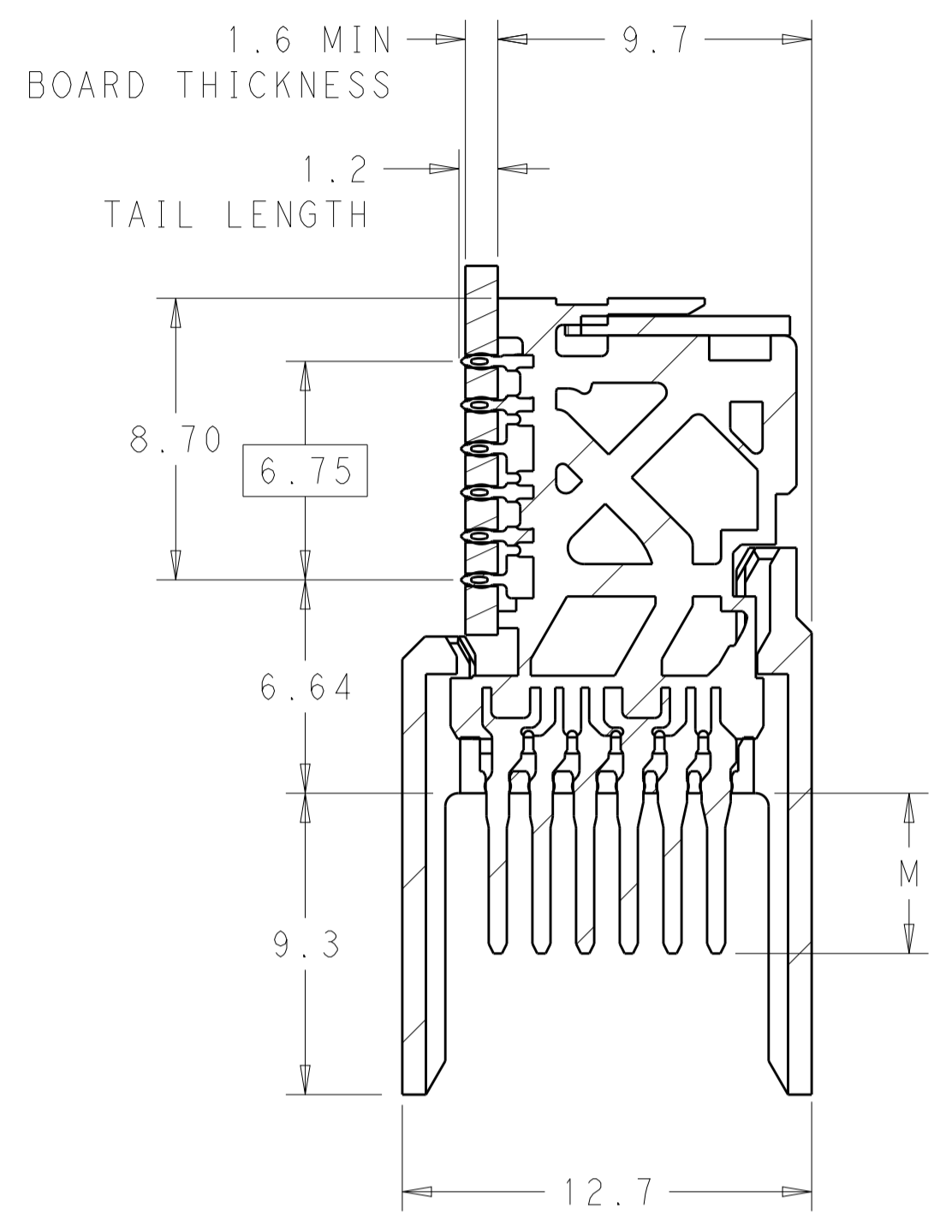
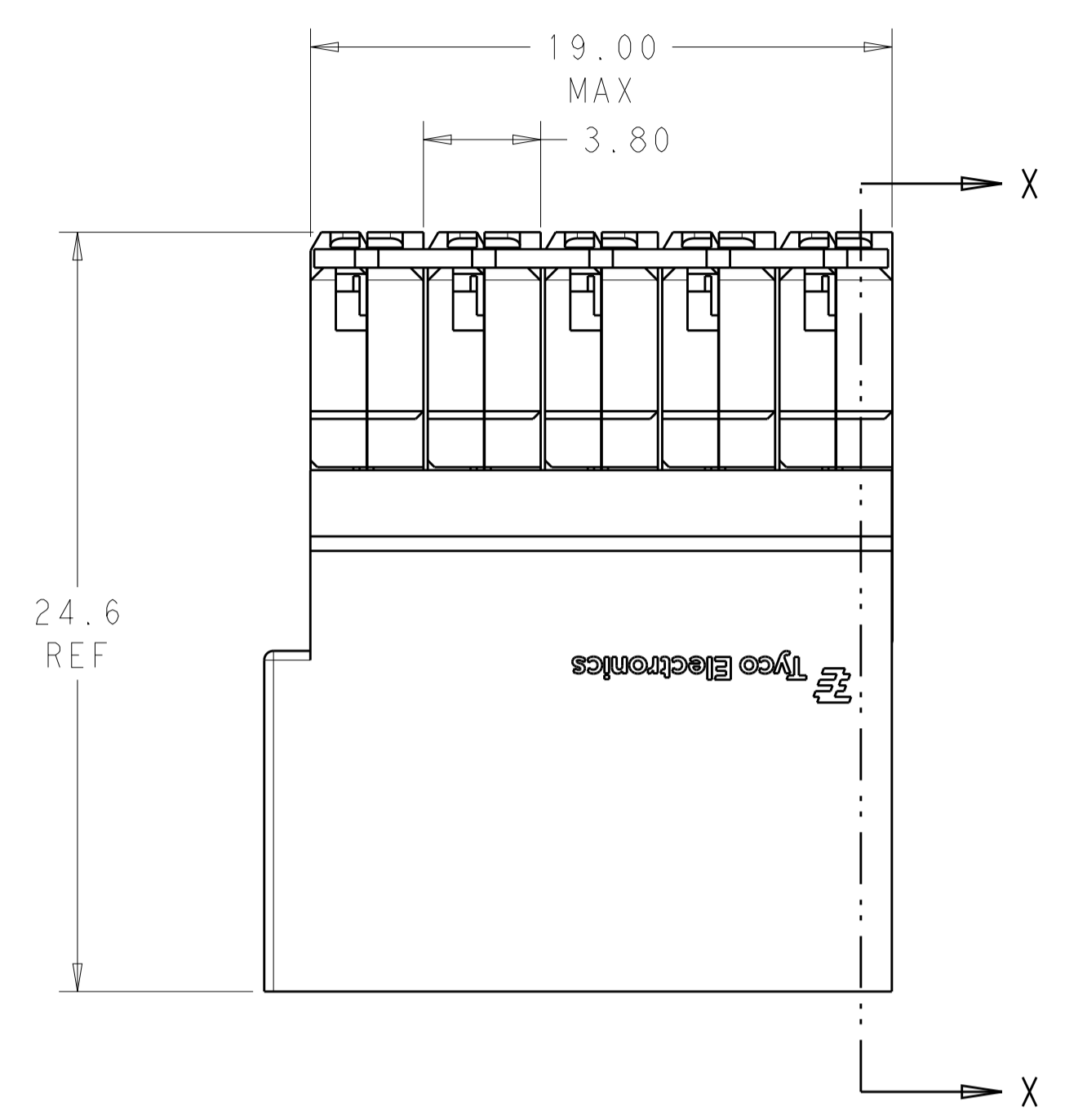


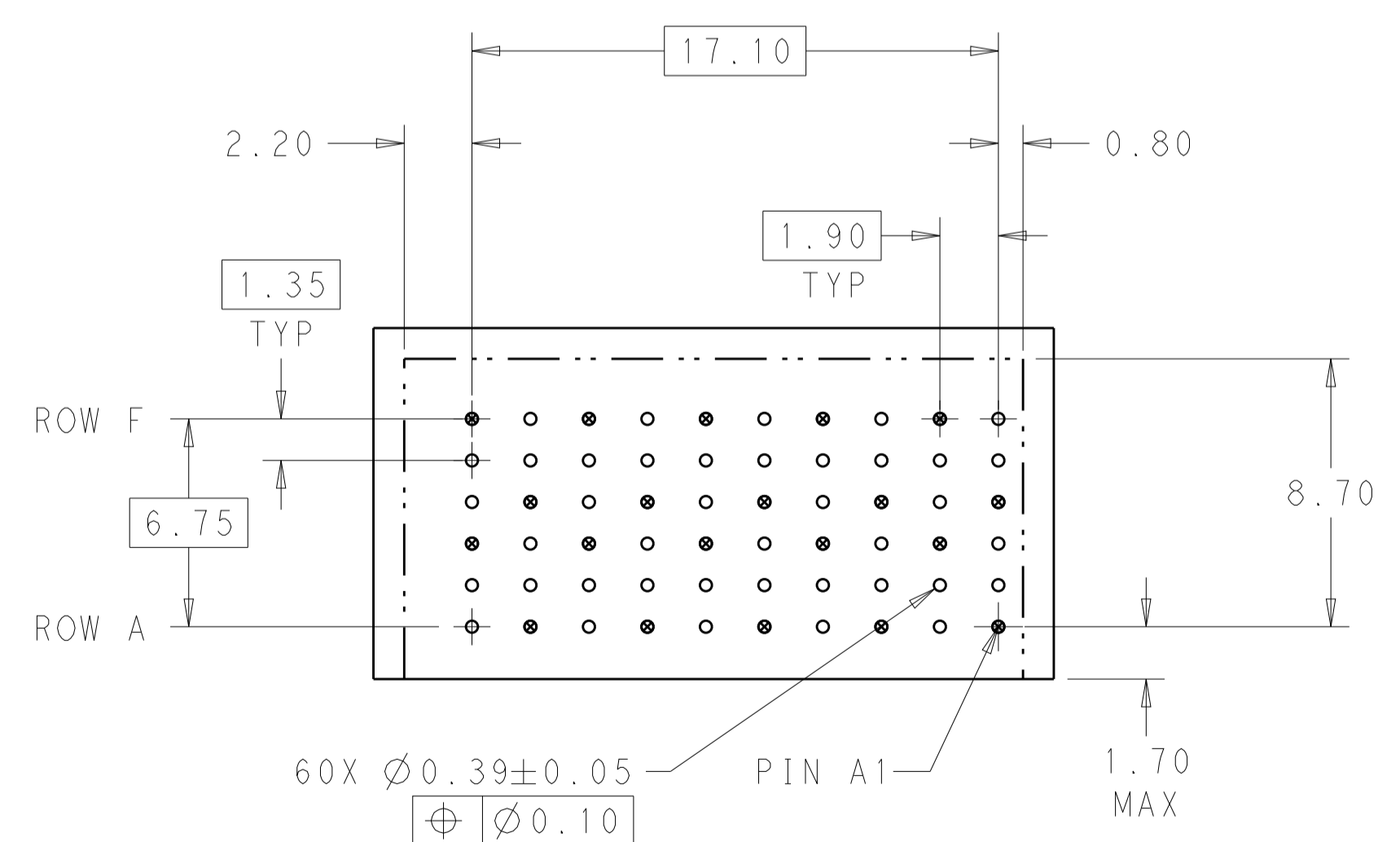
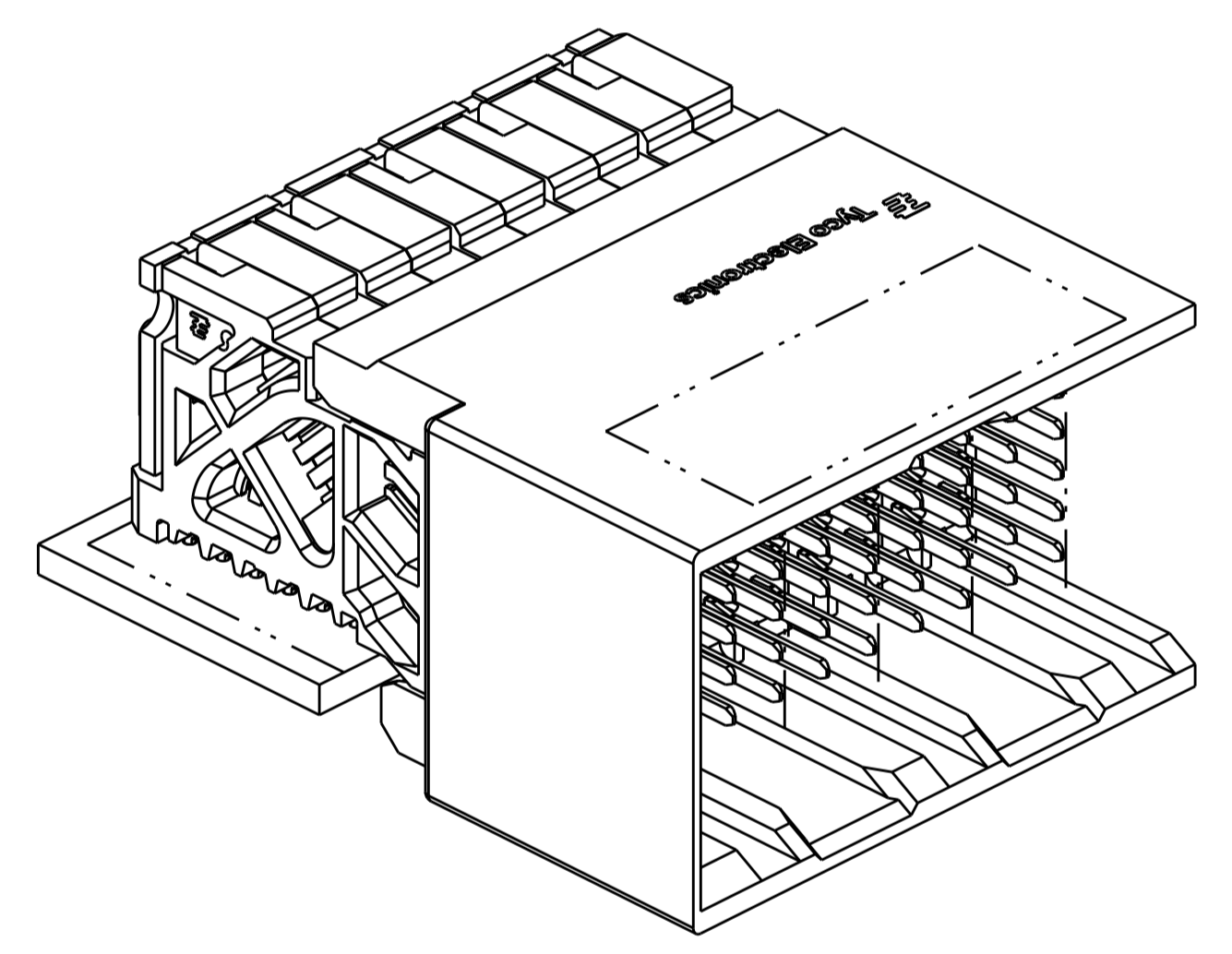
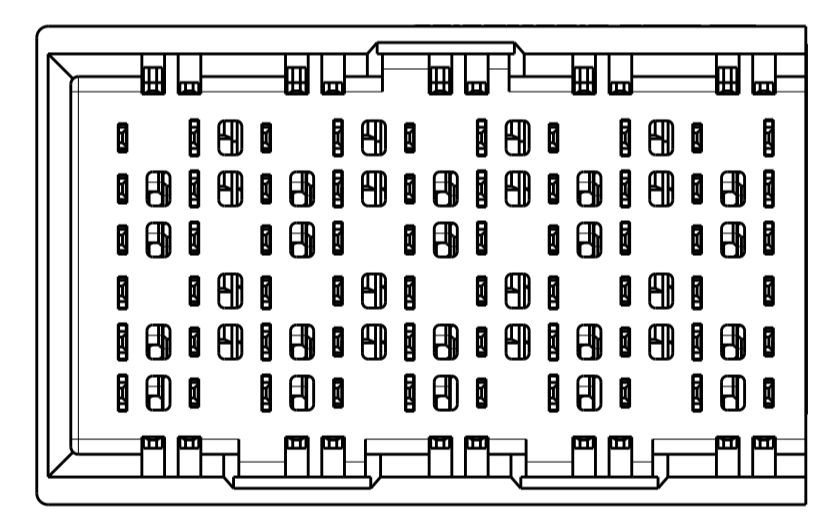
REVISIONS				
P.	LTN.	DESCRIPTION	DATE	APVD.
B1		REVISED PER ECO-15-003239	24MAR2015	AP DD



SECTION X-X



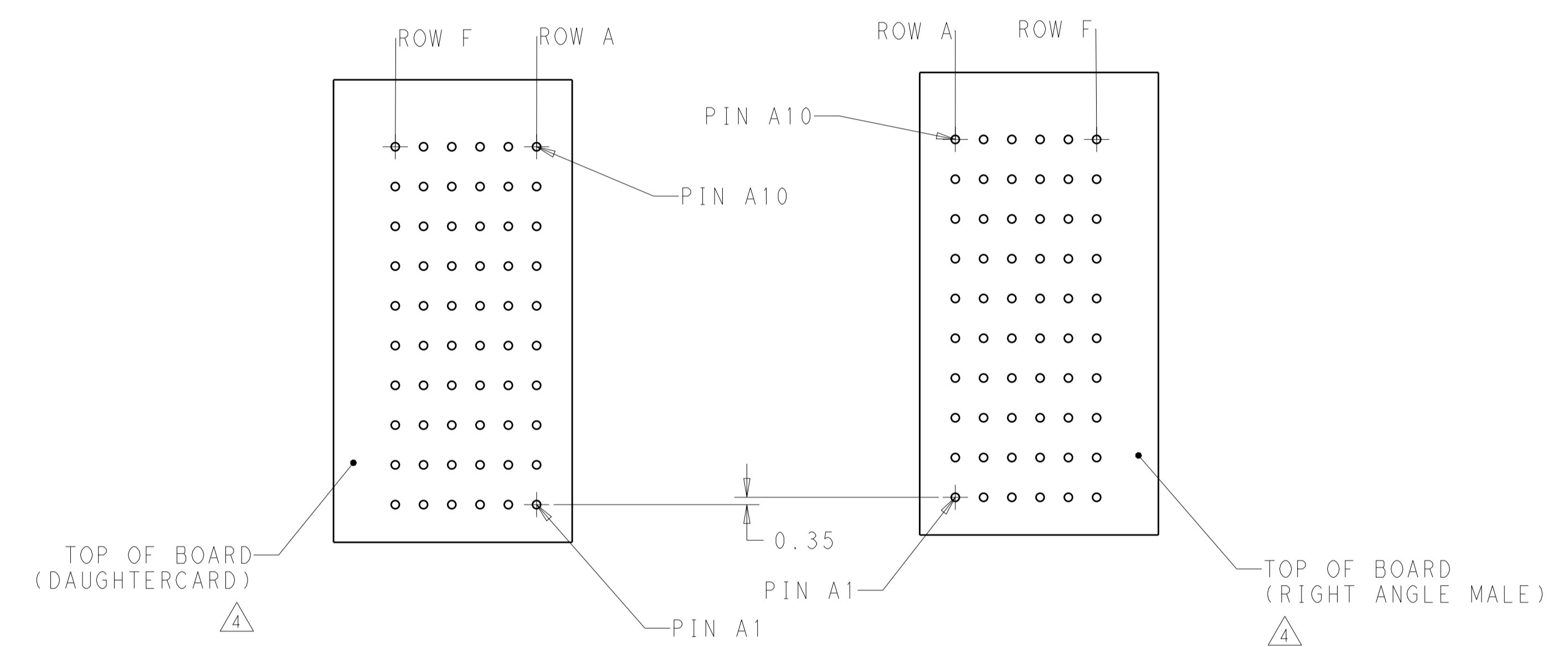
- 1 MATERIAL:
HOUSING: LCP, GLASS FILLED, UL94V-0.
TERMINALS: HIGH PERFORMANCE COPPER ALLOY.
- 2 FINISH:
30µm SELECTIVE GOLD IN CONTACT AREA. SELECTIVE TIN ON PCB TAILS, NICKEL OVERALL.
- 3 FINISH:
30µm SELECTIVE GOLD IN CONTACT AREA. SELECTIVE TIN-LEAD ON PCB TAILS, NICKEL OVERALL.
- 4 UNGUIDED RIGHT ANGLE MALE MATES TO UNGUIDED RIGHT ANGLE RECEPTACLE.



RECOMMENDED PCB LAYOUT

THIS DRAWING IS A CONTROLLED DOCUMENT.		DWN: 06APR2011	 TE Connectivity
DIMENSIONS: mm		CHK: J. EARY 06APR2011	
TOLERANCES UNLESS OTHERWISE SPECIFIED:		APVD: J. EARY 06APR2011	NAME: IMPACT, STD, RAM, 2 PAIR, 10 COLUMN, UNGUIDED LEFT END WALL SIGNAL MODULE, 0.39 EYELET
0 PLC ±	1 PLC ±0.25	PRODUCT SPEC	SIZE: CAGE CODE DRAWING NO
2 PLC ±0.13	3 PLC ±	APPLICATION SPEC	A100779C=2143013
4 PLC ±	ANGLES ±	WEIGHT	RESTRICTED TO
MATERIAL: SEE TABLE	FINISH: SEE TABLE	Customer Drawing	SCALE: 5:1 SHEET 1 OF 2 REV: B1

REVISIONS				
P.	LTN.	DESCRIPTION	DATE	APVD.
-	-	SEE SHEET 1	-	-



COPLANAR MATED SIGNAL PATHS



	5.50	2143013-6
	4.90	2143013-5
	5.50	2143013-3
	4.90	2143013-2
FINISH	DIM M	PART NUMBER

REFER TO WWW.TE.COM FOR PRODUCT AVAILABILITY

THIS DRAWING IS A CONTROLLED DOCUMENT.		DWN - 06APR2011	TE Connectivity
DIMENSIONS:		CHK J. EABY 06APR2011	
TOLERANCES UNLESS OTHERWISE SPECIFIED:		APVD J. EABY 06APR2011	
mm		NAME	
0 PLC ±	1 PLC ±0.25	PRODUCT SPEC	IMPACT, STD, RAM, 2 PAIR, 10 COLUMN, 0.39 EYELET
2 PLC ±0.13	3 PLC ±	APPLICATION SPEC	
4 PLC ±	ANGLES ±	WEIGHT	
MATERIAL	FINISH	Customer Drawing	SIZE CAGE CODE DRAWING NO RESTRICTED TO
SEE TABLE			A100779C=2143013
		SCALE 5:1	SHEET 2 OF 2
			REV B1