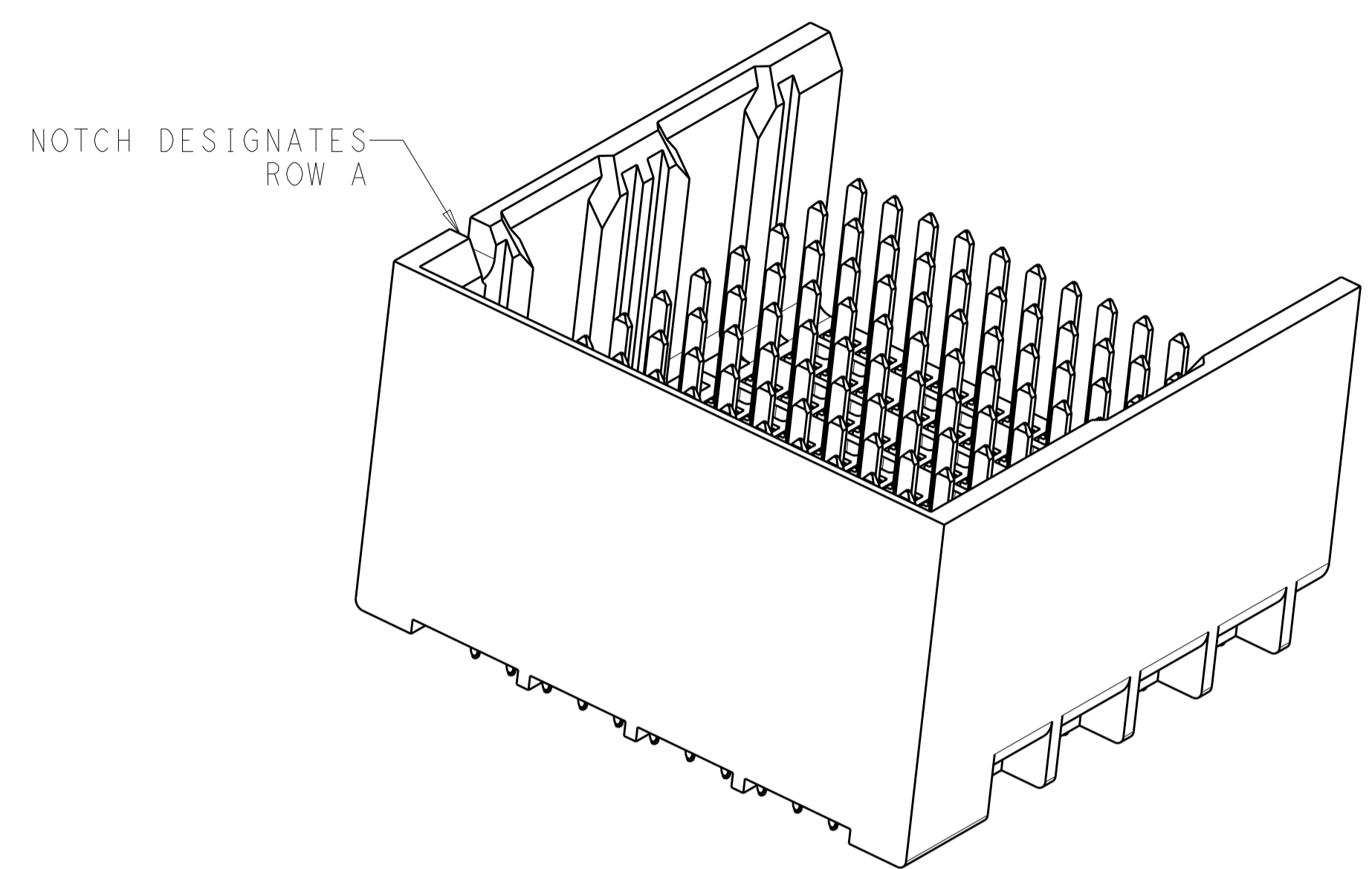
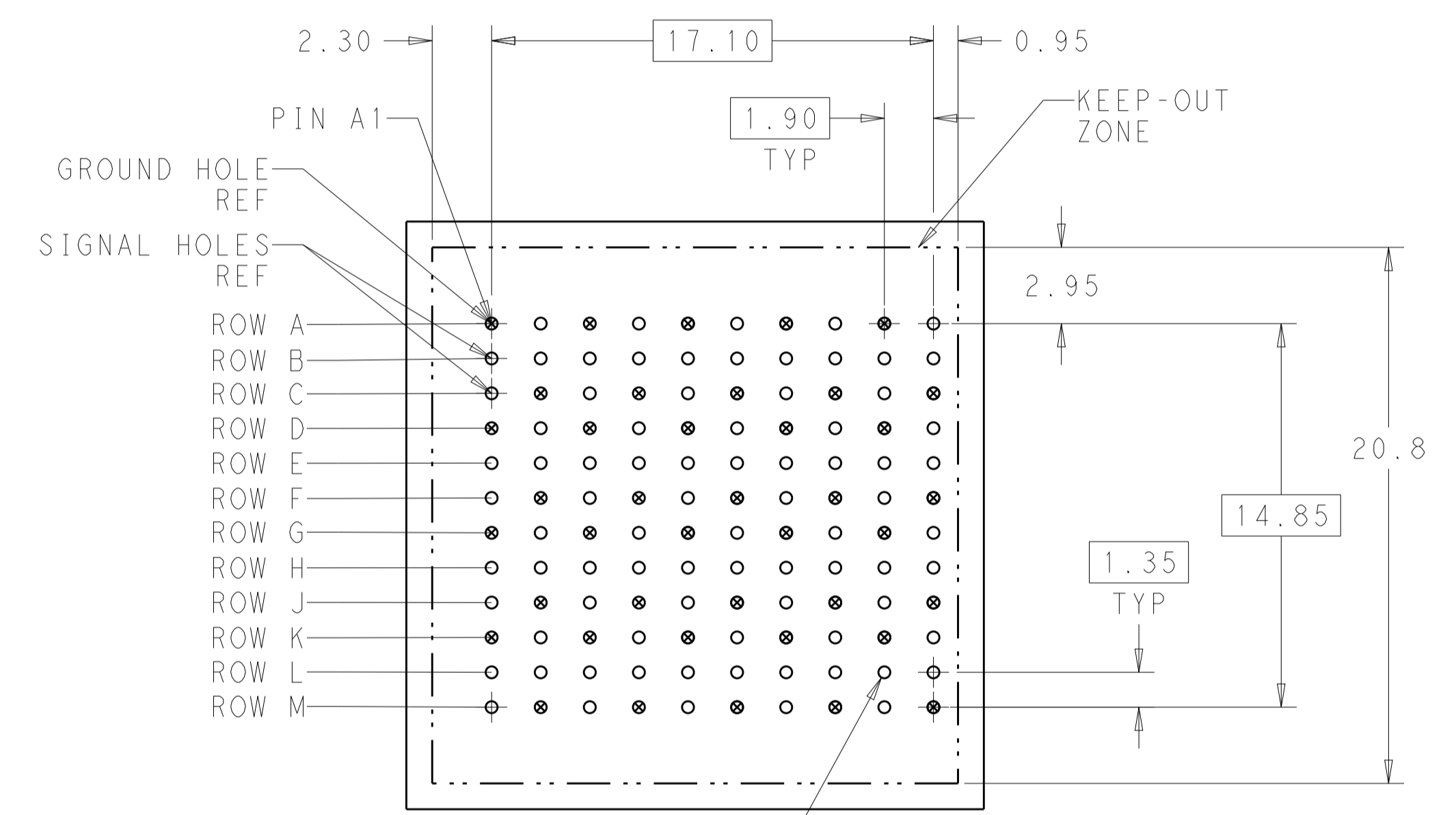
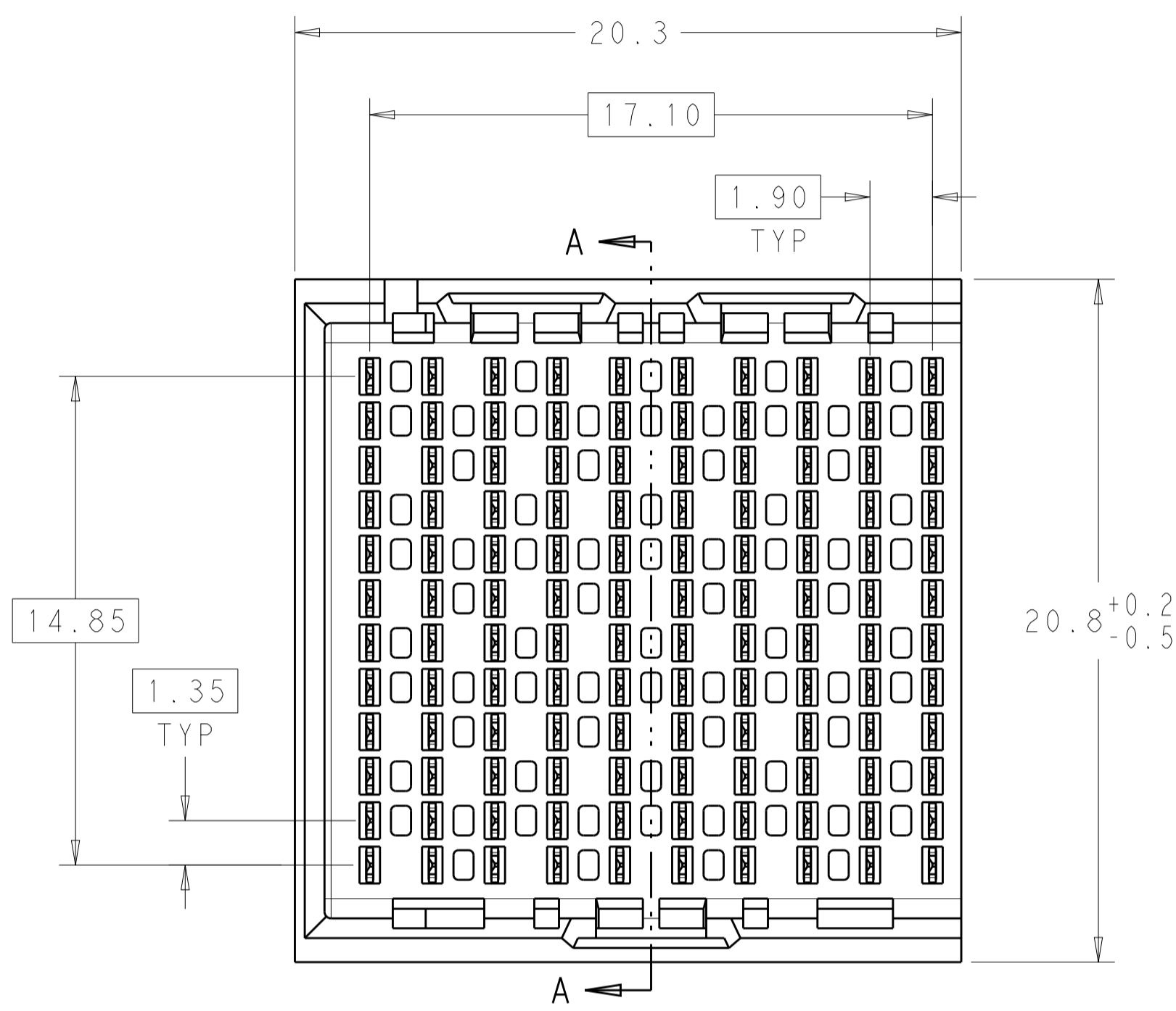


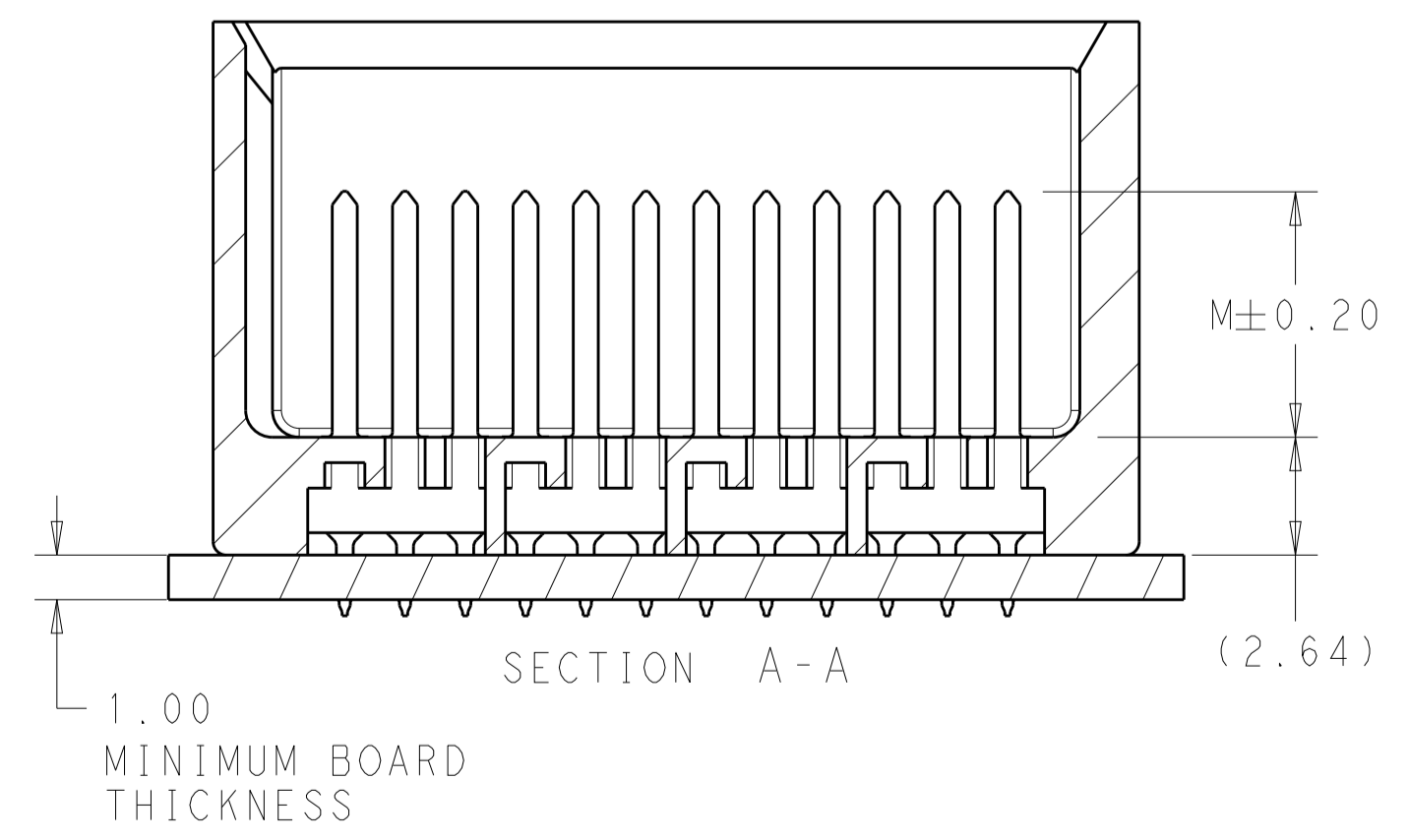
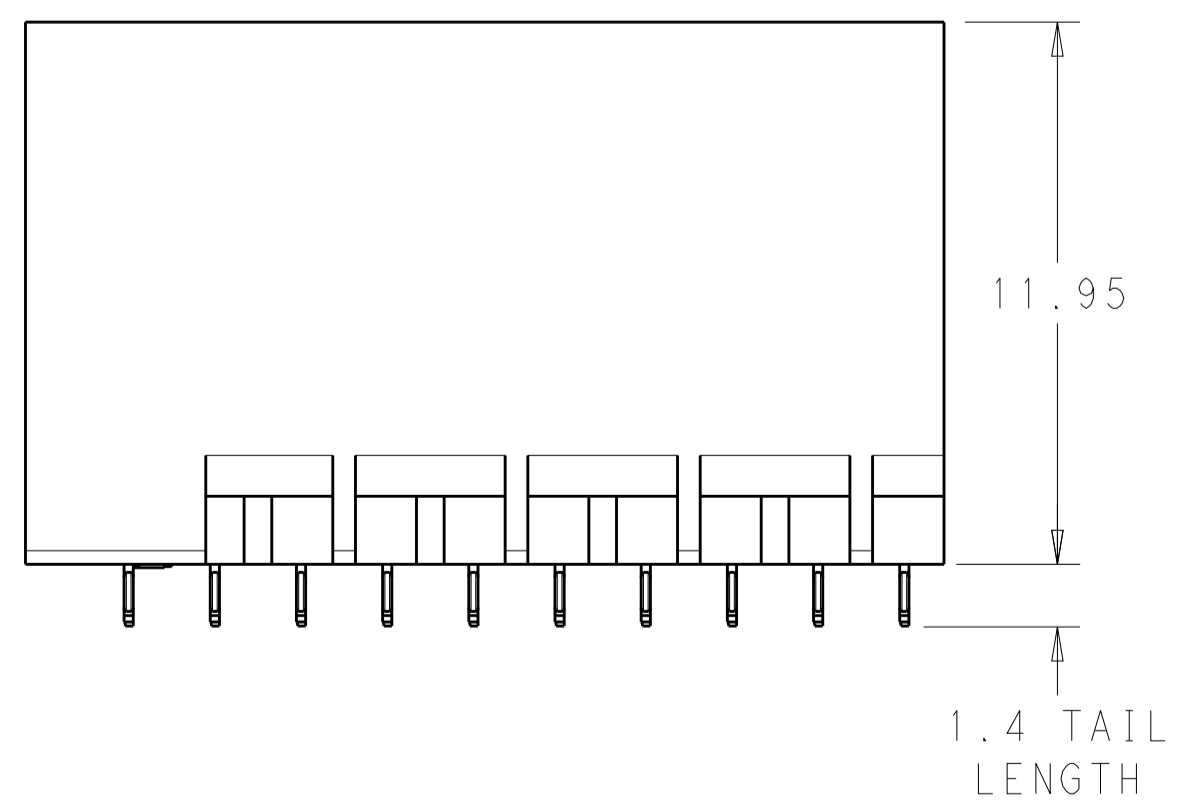
REVISIONS				
P.	LTN	DESCRIPTION	DATE	DWN APVD
A2		REVISED PER ECO-15-003239	24MAR2015	AP DD



- 1 MATERIAL:
HOUSING: LCP, GLASS FILLED, UL94V-0.
TERMINALS: HIGH PERFORMANCE COPPER ALLOY.
- 2 FINISH:
30µ" MIN GOLD IN CONTACT AREA. SELECTIVE TIN ON PCB TAILS, NICKEL OVERALL.



120X $\varnothing 0.46 \pm 0.05$
 $\varnothing 0.10$
 PLATED THRU HOLE
 UNGUIDED
 BACKPLANE HOLE PATTERN
 (CONNECTOR SIDE)



THIS DRAWING IS A CONTROLLED DOCUMENT.		DWN J. K. SHOBER 03JAN2011	STE TE Connectivity
DIMENSIONS: mm		CHK J. EARY 03JAN2011	
TOLERANCES UNLESS OTHERWISE SPECIFIED:		APVD J. EARY 03JAN2011	NAME
0 PLC	±	PRODUCT SPEC	IMPACT, 4 PAIR, 10 COLUMN, HEADER
1 PLC	±0.25	APPLICATION SPEC	UNGUIDED, LEFT END WALL
2 PLC	±0.13	WEIGHT	SIGNAL MODULE, 0.46 PTH
3 PLC	±	Customer Drawing	SIZE CAGE CODE DRAWING NO RESTRICTED TO
4 PLC	±	SCALE 6:1	A100779C=2007817
ANGLES	±	SHEET 1 OF 2	REV A2
FINISH	SEE TABLE		

THIS DRAWING IS UNPUBLISHED. RELEASED FOR PUBLICATION 20
 © COPYRIGHT 20 BY - ALL RIGHTS RESERVED.

REVISIONS					
P.	LTN	DESCRIPTION	DATE	DMN	APVD
-	-	SEE SHEET 1	-	-	-

	5.5	2007817-3
	4.9	2007817-2
	4.5	2007817-1
FINISH	DIM M	PART NUMBER

REFER TO WWW.TE.COM
FOR PRODUCT AVAILABILITY

THIS DRAWING IS A CONTROLLED DOCUMENT.		DMN J. K. SHOBER 03JAN2011	
DIMENSIONS:		CHK J. EARY 03JAN2011	
mm		APVD J. EARY 03JAN2011	
		TOLERANCES UNLESS OTHERWISE SPECIFIED:	NAME
0 PLC ±		PRODUCT SPEC	IMPACT, 4 PAIR, 10 COLUMN, HEADER
1 PLC ±0.25		APPLICATION SPEC	UNGUIDED, LEFT END WALL
2 PLC ±0.13		WEIGHT	SIGNAL MODULE, 0.46 PTH
3 PLC ±		RESTRICTED TO	
4 PLC ±		SIZE	A100779C=2007817
ANGLES		SCALE	5:1
FINISH		SHEET	2 OF 2
SEE TABLE		REV	A2
MATERIAL		Customer Drawing	