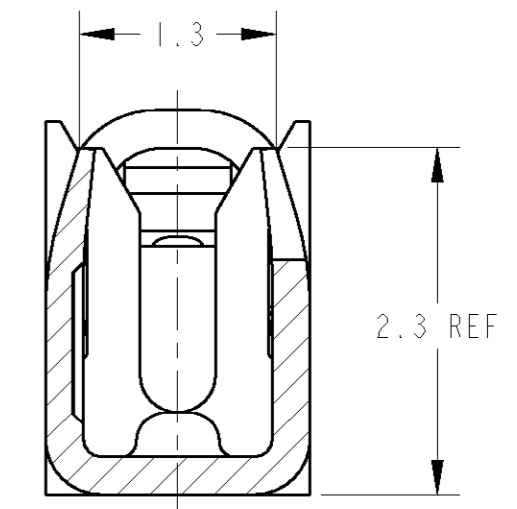
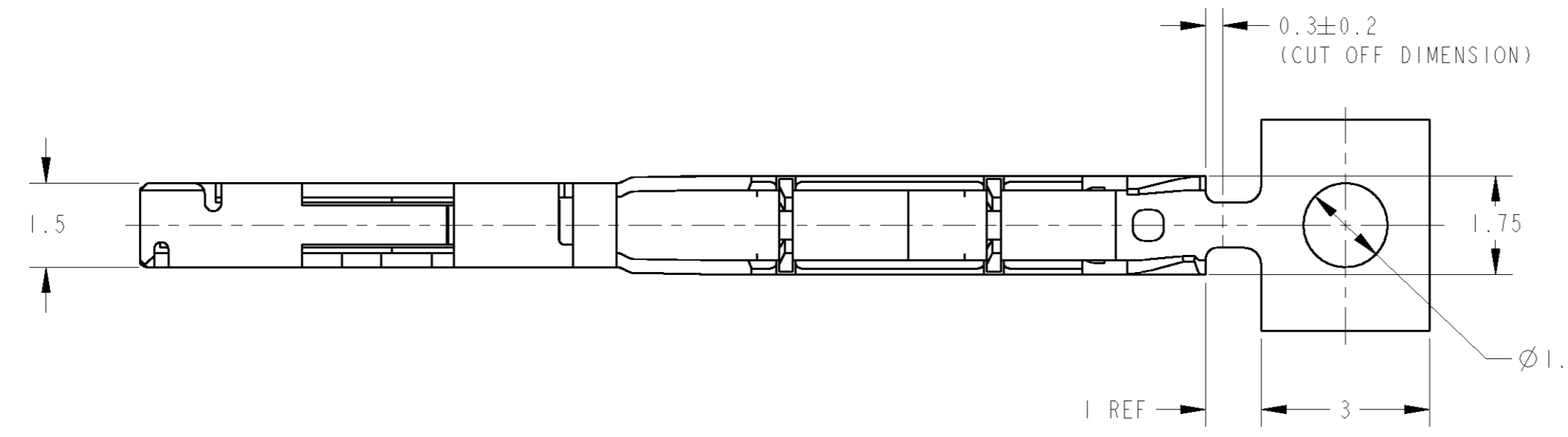
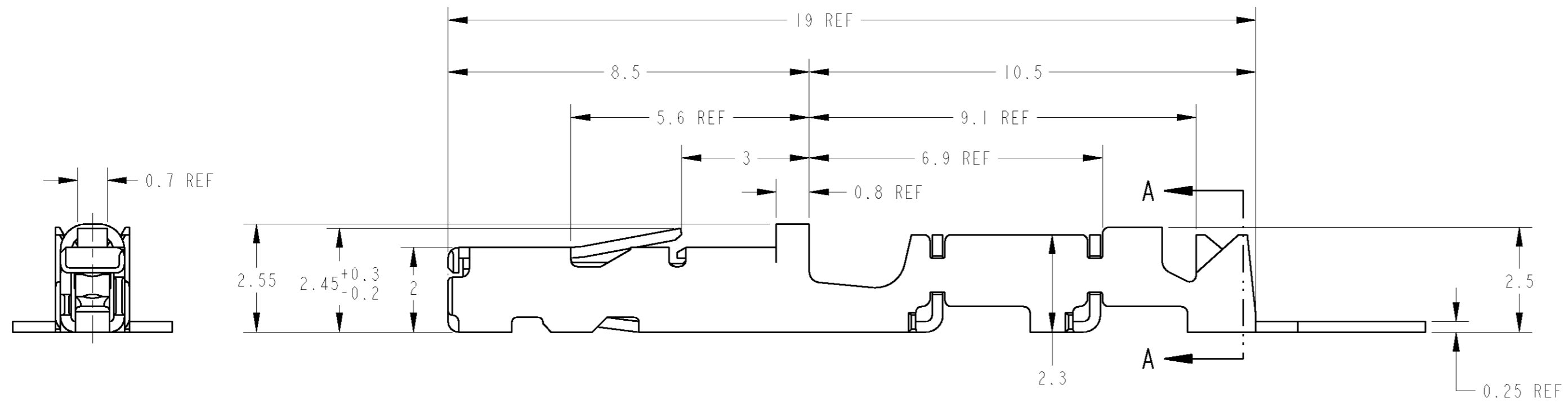


THIS DRAWING IS UNPUBLISHED. RELEASED FOR PUBLICATION .19
 © COPYRIGHT 19 BY AMP INCORPORATED. ALL RIGHTS RESERVED.

LOC	DIST	REVISIONS						
J		P	LTR	DESCRIPTION	ECN	DATE	DWN	APVD
		0		RELEASED	FJ00-0659-01	30MAR01	S.A	N.S



A-A
SCALE 20:1



- 1. 適用電線: IDCUS,CAVUS,MCVUS 0.3~0.5sq
- 2. 端子送りピッチ: 8.8mm
- 3. 取扱説明書; 411-5912

- 1. APPLICABLE WIRE RANGE: IDCUS,CAVUS,MCVUS 0.3~0.5sq
- 2. CONTACT FEED PITCH: 8.8mm
- 3. INSTRUCTION SHEET No; 411-5912

TIN	1318688-1
FINISH	PART NO

WIRE RANGE 0.37~0.56mm² INSULATION DIA 1.1~1.4mm

THIS DRAWING IS A CONTROLLED DOCUMENT FOR AMP INCORPORATED. IT IS SUBJECT TO CHANGE AND THE CONTROLLING ENGINEERING ORGANIZATION SHOULD BE CONTACTED FOR THE LATEST REVISION.		DWN S. AMEMIYA 30MAR01
DIMENSIONS: 単位: 概 mm		CHK N. SAI 30MAR01
TOLERANCES UNLESS OTHERWISE SPECIFIED: 一般公差: ±0.2		APVD N. SAI 30MAR01
0-PLC ±		PRODUCT SPEC 108-5660
1-PLC ±0.1		APPLICATION SPEC 114-5276
2-PLC ±0.15		WEIGHT 0.23 g
3-PLC ±0.001		CUSTOMER DRAWING
4-PLC ±0.001		
ANGLES ±3°00'		
FINISH 仕上		
MATERIAL 材料 CU Alloy		

Tyco Electronics AMP K.K. Kawasaki, Japan		
NAME 名称 025 IDC RECEPTACLE CONTACT		
SIZE A2	CAGE CODE 番号 00779	DRAWING NO 1318688
SCALE 10:1	SHEET 1	REV 0

I:\U_a99-0248\customer\c-1318688\1318688.drw