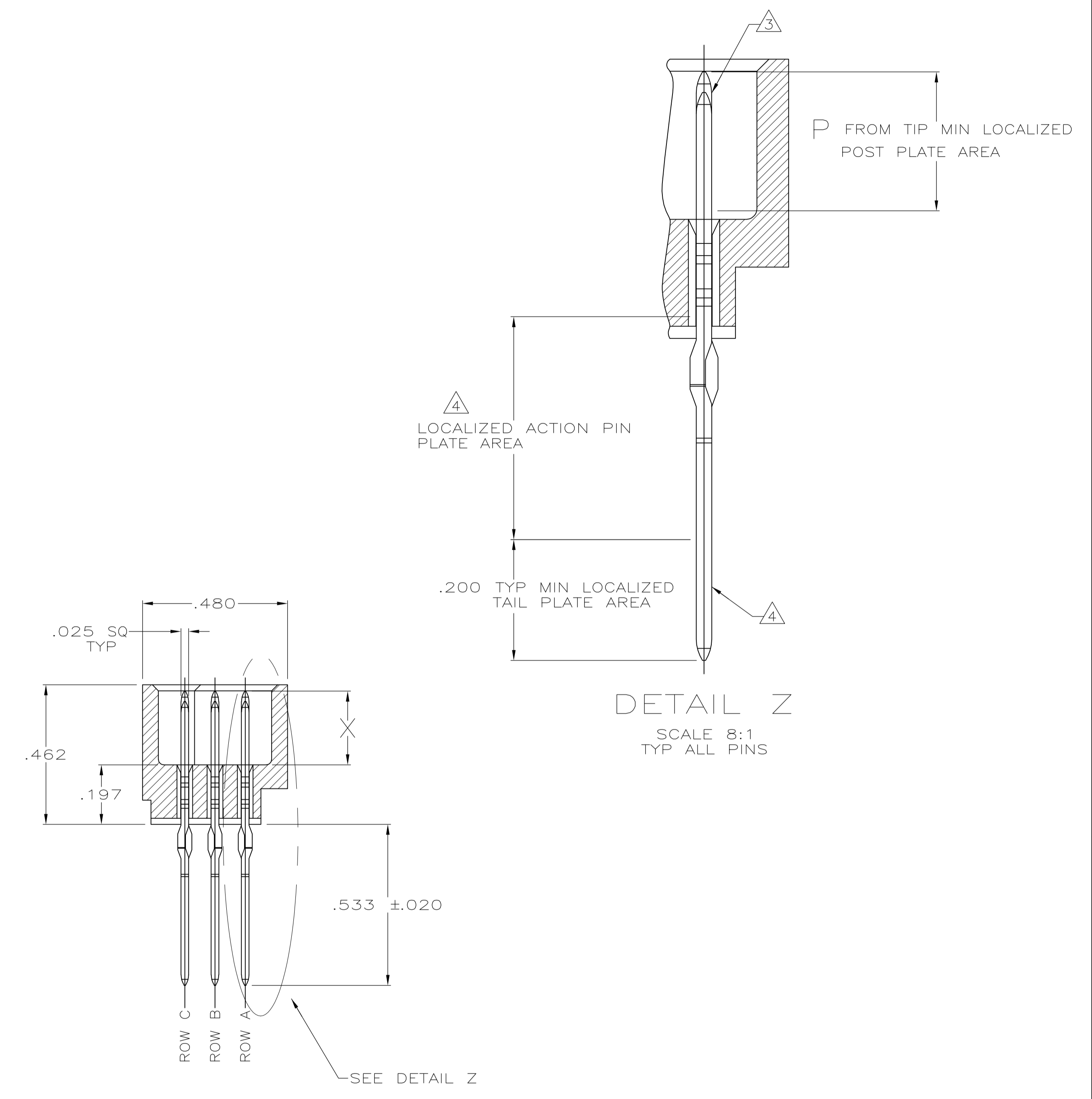


RECOMMENDED P.C. BOARD LAYOUT



THIS DRAWING IS A CONTROLLED DOCUMENT.		DIN R LEE 11-05-92	Tyco Electronics Corporation Harrisburg, PA 17105-3608	
DIMENSIONS: mm		CHK JOHN WEARY	APVD	
TOLERANCES UNLESS OTHERWISE SPECIFIED:		NAME ASSEMBLY PIN		
0. PLC ± -	1. PLC ± -	PRODUCT SPEC 108-1098		
2. PLC ± -	3. PLC ± .005	APPLICATION SPEC 114-9008		
4. PLC ± -	ANGLES ± -	MATERIAL FINISH WEIGHT		
MATERIAL FINISH		CUSTOMER DRAWING		

OBsolete
NOT THE LATEST REVISION

