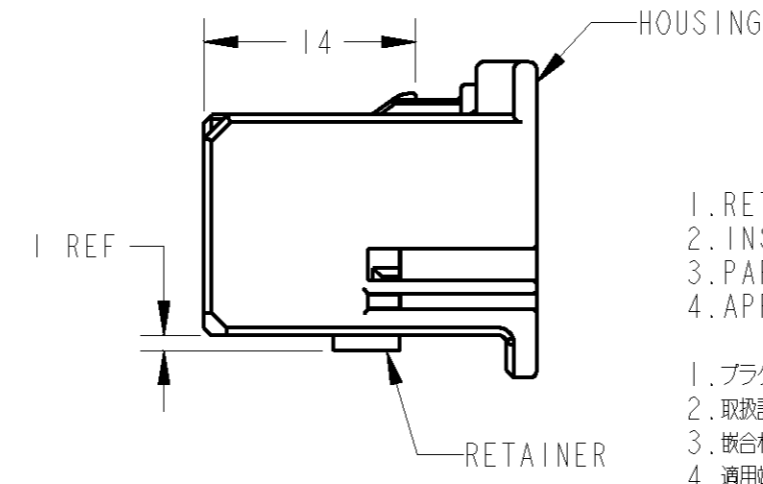
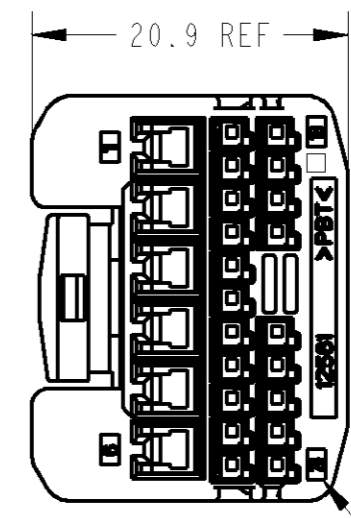
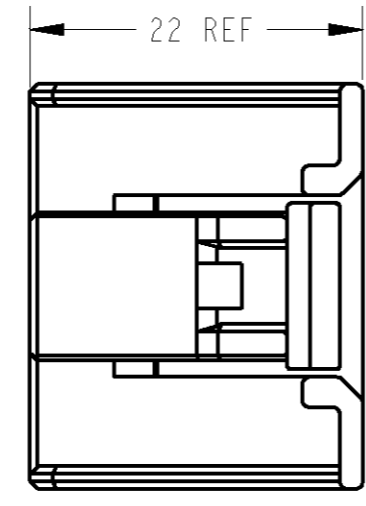
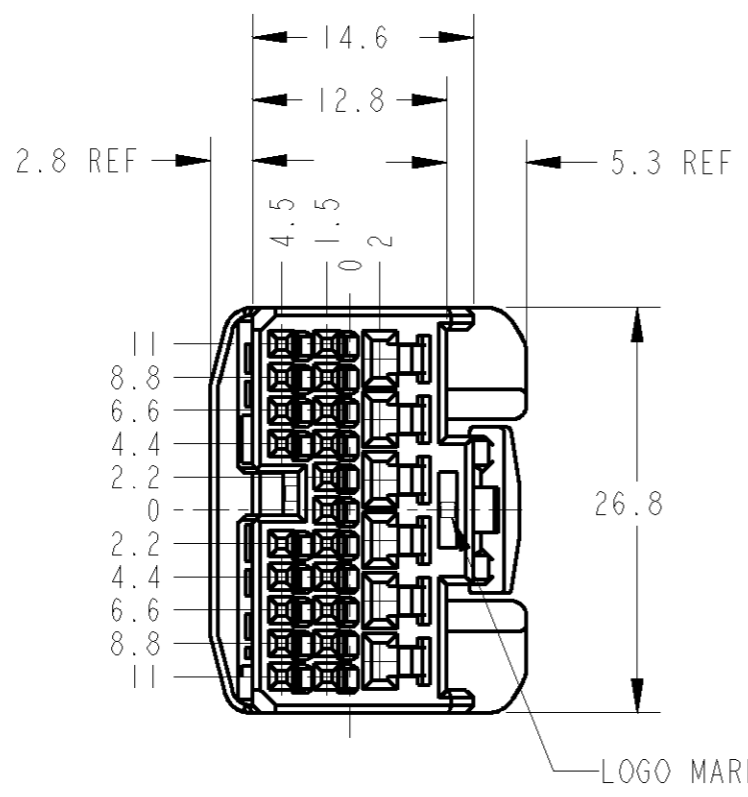


THIS DRAWING IS UNPUBLISHED. RELEASED FOR PUBLICATION 20
 © COPYRIGHT 20 BY TYCO ELECTRONICS CORPORATION. ALL RIGHTS RESERVED.

LOC	DIST	REVISIONS						
J		P	LTR	DESCRIPTION	ECN	DATE	DWN	APVD
			O	RELEASED	FJA0-0387-04	13AUG04	YM	HY
			A	REVISED	ECR-07-014207	21JUN07	AY	SA
			B	REVISED	ECR-10-007503	20APR10	TS	KB



1. RETAINER SHOULD BE PRE-ASSEMBLED CONDITION TO HOUSING.
 2. INSTRUCTION SHEET NO.411-78080.
 3. PART NUMBER OF CAP HOUSING TO BE MATED : SEE TABLE-1
 4. APPLIED TERMINALS : SEE TABLE-2
1. プラグハウジングセリテーナを仮係止して出荷される
 2. 取扱説明書NO.411-78080
 3. 嵌合相手型番 : TABLE-1参照
 4. 適用端子 : TABLE-2参照

TABLE-2

	POS 極数	TERMINAL PART NO. 端子型番	APPLICABLE WIRE RANGE 適用電線
SIGNAL 0.64111	20	TIN	1827483-1
		SELECTIVE GOLD	1827483-2
		TIN	1674936-1
		SELECTIVE GOLD	1674936-2
		TIN	1674311-1
		SELECTIVE GOLD	1674311-2
POWER 09011	6	S : SEE TABLE-3	CAVUS 0.3~0.5mm ² CAVS/AVSS 0.3~0.5mm ² AVS 0.3~0.5mm ²
		M : SEE TABLE-3	CAVUS 0.5~1.25mm ² CAVS/AVSS 0.5~1.25mm ² AVS 0.5~1.25mm ²
		L : SEE TABLE-3	AVSS 2mm ²

TABLE-1

POS 極数	CAP ASSEMBLY PART NO. キャップ番号
80	1318751
	6318751
50	1318750
	6318750

PAPER BOX ダンボール	PLASTIC BAG ビニール袋	COLOR	PART NUMBER
		BLACK	1746863-2
		NATURAL	1746863-1
OUTER 外装	INNER 内装		
PACKING STYLE 梱包形態			

TABLE-3

TERMINAL MAKER 端子メーカー	SIZE サイズ		
	S	M	L
YAZAKI PARTS CO., LTD. 矢崎部品(株)殿	7116-4020	7116-4021	7116-4022
SUMITOMO WIRING SYSTEMS, LTD. 住友電装(株)殿	8240-4882	8240-4892	8240-4942
TOKAI RIKA CO., LTD. (株)東海理化電機製作所殿	4R1190-0004E	4R1191-0004E	4R1192-0005F

THIS DRAWING IS A CONTROLLED DOCUMENT FOR TYCO ELECTRONICS CORPORATION
 IF IS SUBJECT TO CHANGE AND THE CONTROLLING ENGINEERING ORGANIZATION
 SHOULD BE CONTACTED FOR THE LATEST REVISION.

DWN	Y. MITO	13AUG04	 Tyco Electronics Corporation Kawasaki, Japan	
CHK	H. YAMAGAMI	13AUG04		
APVD	S. ISOHATA	13AUG04		
NAME	0.64111/2.311 SERIES CONNECTOR 26 POSITION PLUG ASSEMBLY			
DIMENSIONS: 単位: 概 mm	 TOLERANCES UNLESS OTHERWISE SPECIFIED: 一般公差 ±0.3 0-PLC ± 1-PLC ±0.1 2-PLC ±0.01 3-PLC ±0.001 4-PLC ±0.0001 ANGLES ±3'00"		PRODUCT SPEC 108-5953 APPLICATION SPEC 取付適用規格 114-5329	
MATERIAL 材料	PBT	FINISH 仕上	SEE TABLE	WEIGHT 5.96 g CUSTOMER DRAWING
SCALE 尺度			2.1	SHEET 1 OF 1 REV B