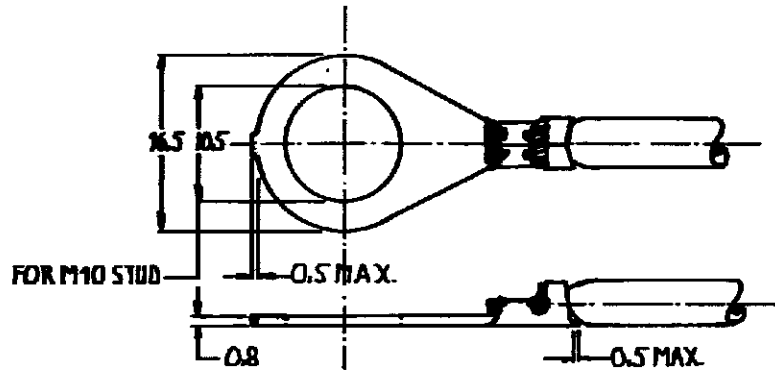
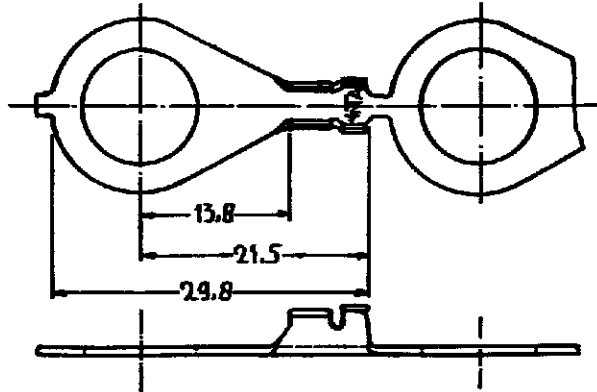


PART NUMBER C-160467-E

DRAWING MADE IN AMERICAN PROJECTION

REVISIONS

LTR	DESCRIPTION	DATE	DWN	APVD
B1	REVISED PER ECO-10-000445	11JAN10	KK	HMR



FOR USE ON STANDARD AND MINIATURE APPLICATORS

⚠ OBSOLETE PARTS: OBSOLETE CIS STREAMLINING PER D.RENAUD/D.SINISI

DIMENSIONS IN M.M. DO NOT SCALE PRINT

CUSTOMER COPY FOR REFERENCE ONLY

©1982 BY AMP-HOLLAND N.V. ALL RIGHTS RESERVED A-AMP PRODUCTS COVERED BY PATENTS AND/OR PATENTS PENDING.



AMP - HOLLAND B.V.
's-Hertogenbosch

T00467-3	1	PRODUCTION BR.	←→
160467-2		BRASS	TIN PLATED
160467-1		BRASS	←→
ORDER NO.	MATERIAL	PLATING	
DR 05-08-82	DATE	DE	DATE
CHK 5.8.82	DATE	APP 5	DATE 5.8.82

WIRE-RANGE 1.0-2.5 mm	INSUL-RANGE 2.5-3.8 φ	FIRST USED
SCALE 2:1	SIZE A	NO C-160467-E
NAME RINGTONGUE WITH INS. SUPPORT		REV B1