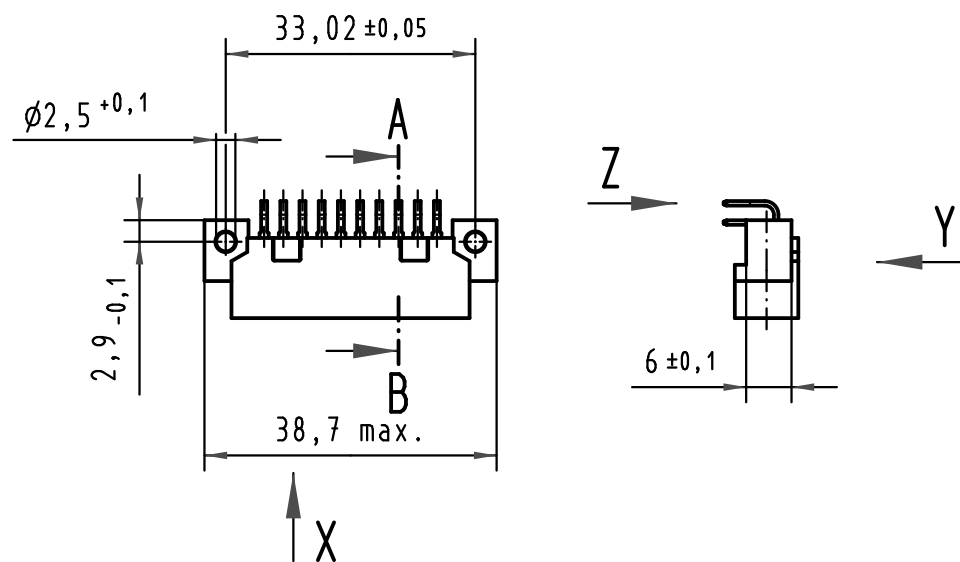
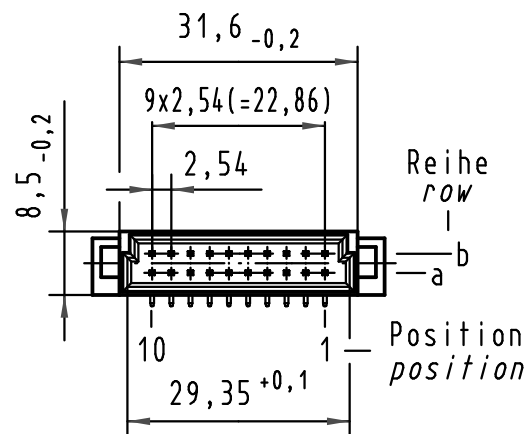
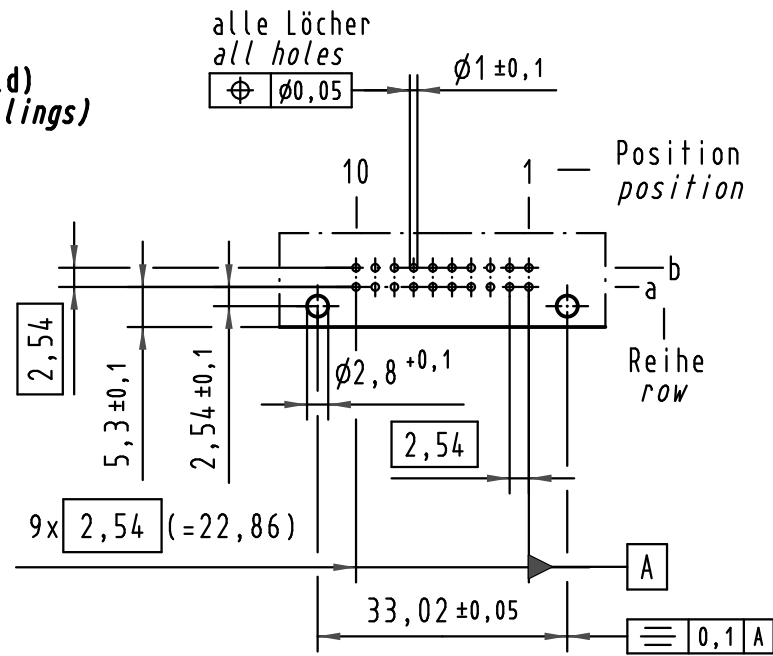
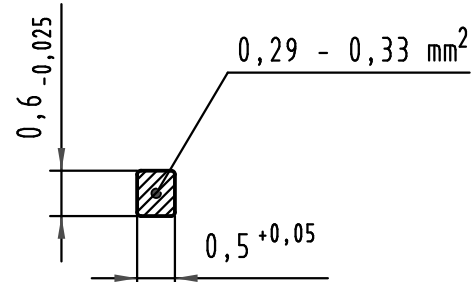


**Y**  
(Lochbild)  
(board drillings)

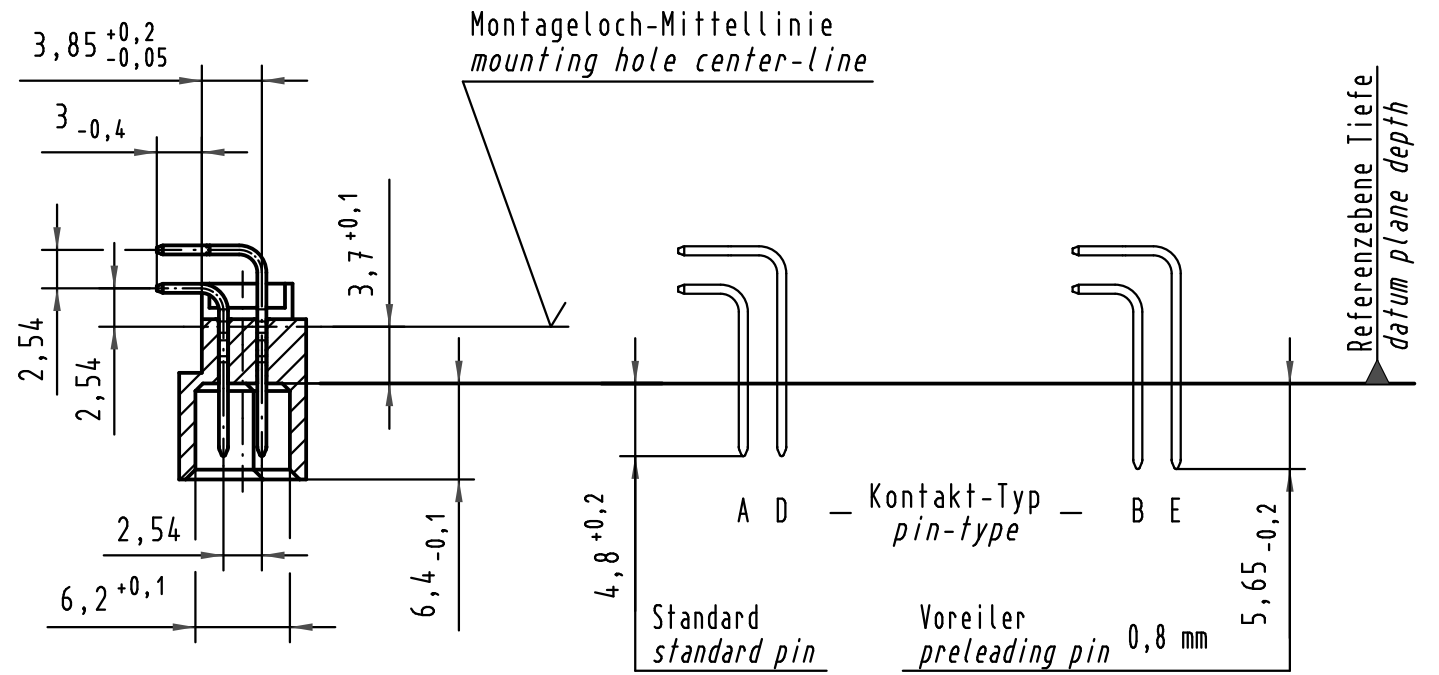


**Z**  
10:1

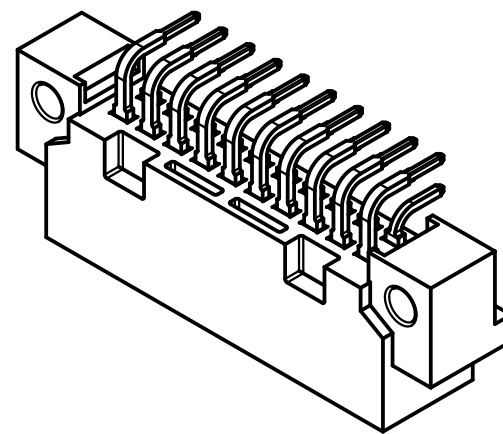
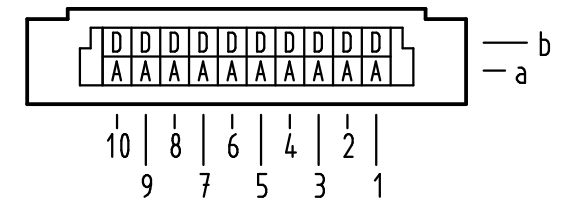
Querschnitt der  
Lötanschlüsse:  
cross-section of  
solder terminations:



**A-B**  
2:1



**X** Kontaktbelegung  
contact loading



|                         |   |                                      |
|-------------------------|---|--------------------------------------|
| 09 24 120 6919          | 2   | Au flash over PdNi over Ni           |
| Bestell-Nr.<br>part-no. | Anforderungsstufe nach IEC<br>performance level acc. to IEC | Kontaktoberfläche<br>contact plating |

|   |                                   |         |                   |   |   |
|---|-----------------------------------|---------|-------------------|---|---|
| <br>All Dimensions in mm<br>Original Size DIN A 3 | Techn. Character.                 |         |                   | Nicht tolerierte Maße/Free size tolerances<br>IEC 60603-2 |   |
|   |                                   | Dat.    | Name              | Maßstab/Scale<br>1:1<br>2:1<br>10:1                       | Bauform 3B Messerleiste<br>Einlöt , 20 pol., SMC (Hochtemperatur)<br>type 3B male connector<br>solder , 20 pol., SMC (high temperature) |
|   |                                   | Detail. | 25.06.09 MS       |   |   |
|   |                                   | Insp.   | 25.06.09 RA       |   |   |
|   | Stand.                            |         |                   |   |   |
| 35604   | HARTING Electronics GmbH & Co. KG |         |                   | <br><b>TB 09 24 120 x919</b>                              | Blatt/ page   |
| Mod.  | Dat.                              | Name    | D-32339 ESPELKAMP |   |   |