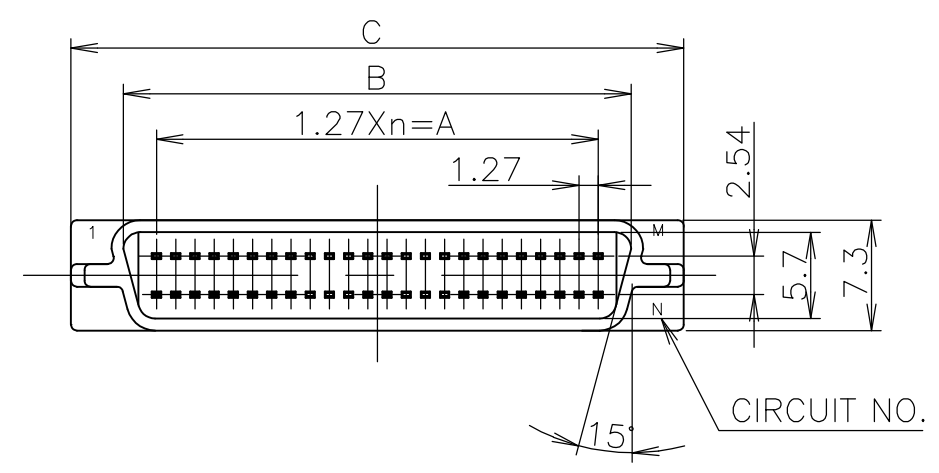
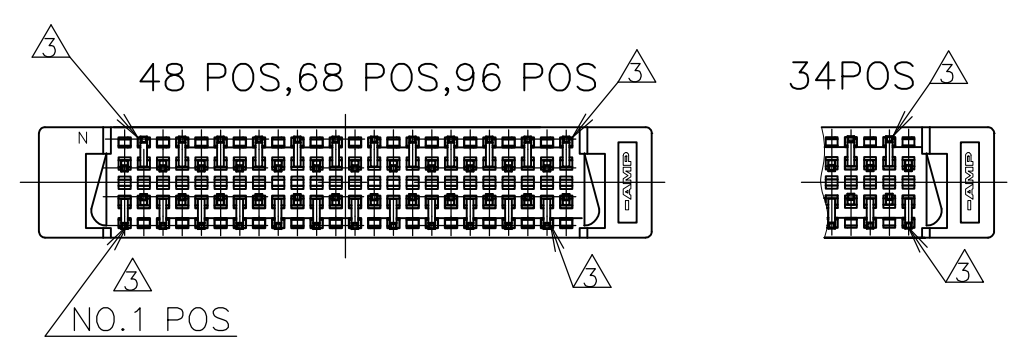
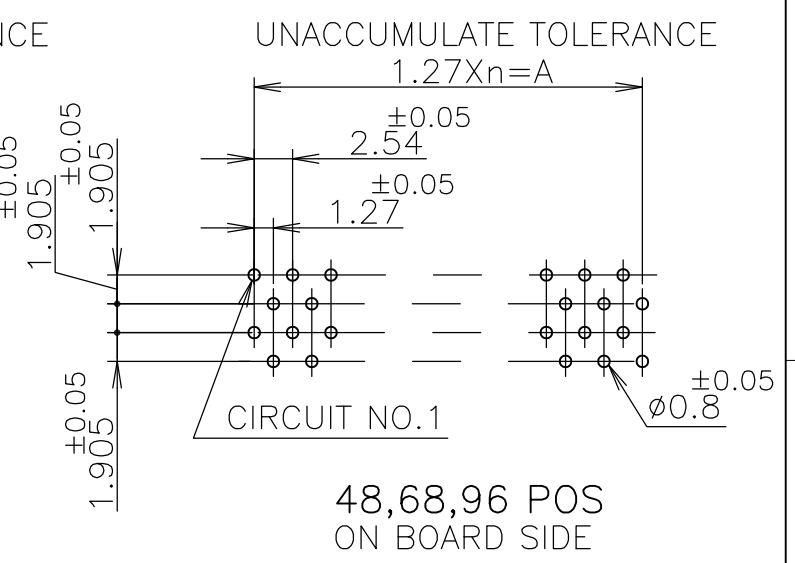
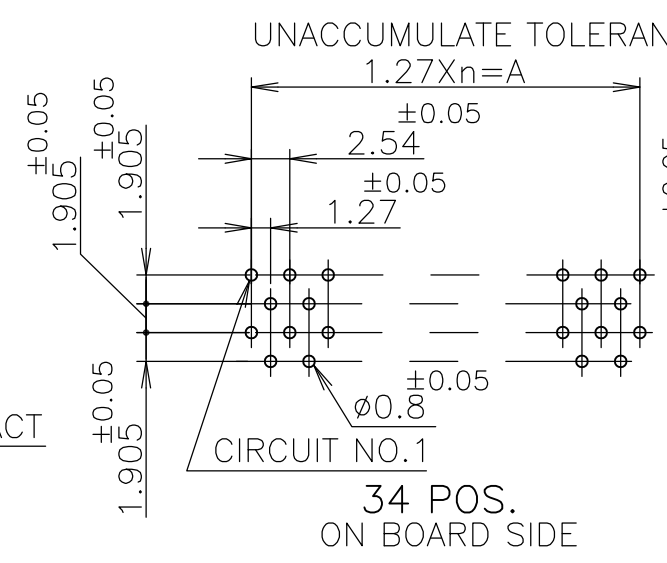
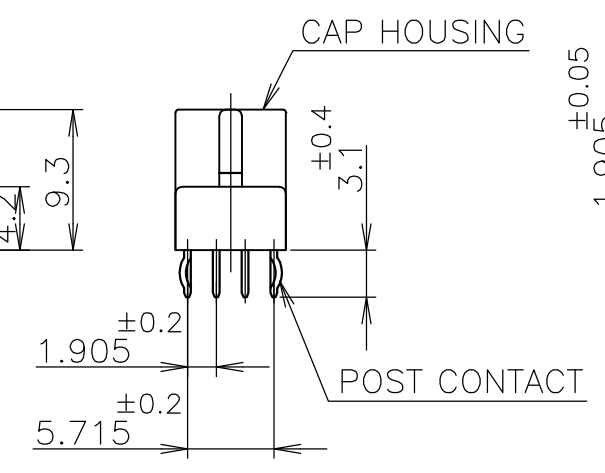
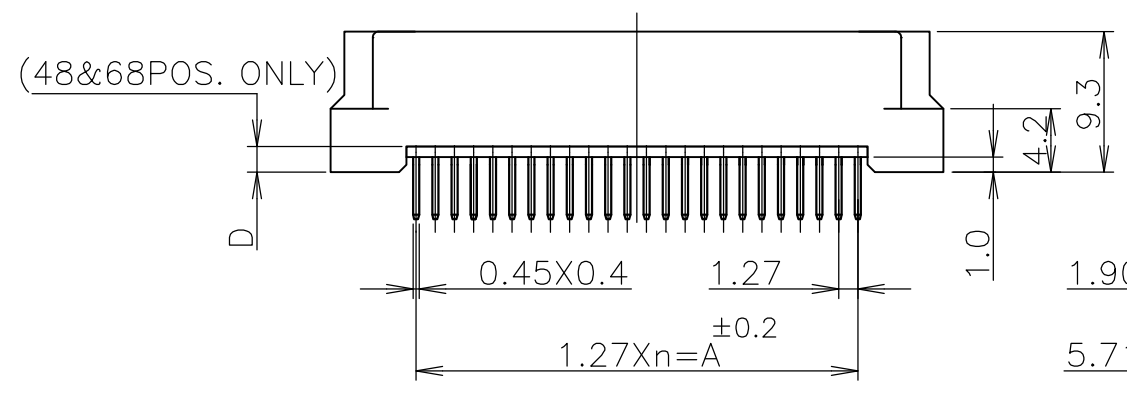


THIS DRAWING IS UNPUBLISHED. RELEASED FOR PUBLICATION AUG. 2005.
 © COPYRIGHT 2005 By - ALL RIGHTS RESERVED.

| LOC | DIST | REVISIONS | | |
|-----|------|-----------|-----|---------------------------|
| J | / | P | LTR | DESCRIPTION |
| | | R | | REVISED PER ECO-15-002720 |
| | | | | DATE: 02MAR2015 |
| | | | | DWN: AP |
| | | | | APVD: SB |



- 1 MATERIAL AND FINISH
 CAP HOUSING ; THERMOPLASTIC (UL94V-0) COLOR:BLACK
 POST CONTACT ; COPPER ALLOY FINISH,OVER NICKEL
 MATING END:0.0002 MIN. OR 0.00076 MIN. GOLD
 TERMINATION END:TIN OVER SEALING TREATMENT.
- 2 P.C.B. LAYOUT AND P.C.B. TREATMENT(REF.)
 USE A P.C.B. SURFACE ARE TREATED WITH SOLDER RESIST.
- 3 KINK POSITIONS(4 POSITIONS).
- 4 OBSOLETE PARTS: OBSOLETE CIS STREAMLINING PER D.RENAUD/D.SINISI



| | | | | | | | | | | | | |
|------------|---------------------|----|----|-------|-------|-------|-----|----|------|----------|---|---|
| 4 OBSOLETE | Au PL. 0.00076 MIN. | 96 | 48 | 59.69 | 64.06 | 71.00 | — | 47 | 96 | 6 | — | — |
| | | 68 | 34 | 41.91 | 46.28 | 53.22 | 1.7 | 33 | 68 | 6 | — | — |
| | | 48 | 24 | 29.21 | 33.58 | 40.52 | 1.7 | 23 | 48 | 6 | — | — |
| | | 34 | 17 | 20.32 | 24.69 | 31.63 | — | 16 | 34 | 6 | — | — |
| 4 OBSOLETE | Au PL. 0.0002 MIN. | 96 | 48 | 59.69 | 64.05 | 71.00 | — | 47 | 96 | | | — |
| | | 68 | 34 | 41.91 | 46.28 | 53.22 | 1.7 | 33 | 68 | | | — |
| | | 48 | 24 | 29.21 | 33.58 | 40.52 | 1.7 | 23 | 48 | | | — |
| | | 34 | 17 | 20.32 | 24.69 | 31.63 | — | 16 | 34 | | | — |
| REMARK | | N | M | A | B | C | D | n | POS. | PART NO. | | |

THIS DRAWING IS A CONTROLLED DOCUMENT.

DWN: T.KAWAMAE 04AUG05
 CHK: T.SASAKI 04AUG05
 APVD: T.SASAKI 04AUG05

STE TE Connectivity

CAP ASSY VERTICAL (W/KINK)
 AMPLIMITE 050 SERIES I B-TO-B CONN.

PRODUCT SPEC 製品規格
 APPLICATION SPEC 取付適用規格

SIZE: A3 CAGE CODE: 00779 DRAWING NO: 5174683 RESTRICTED TO: —

SCALE: 2:1 SHEET: 1 OF 1 REV: R

GENERAL TOLERANCE 一般公差

10 ≥ : ±0.2
 30 ≥ > 10: ±0.25
 100 ≥ > 30: ±0.3
 ANGLES: ±3°

DIMENSIONS: 単位: 耗 mm

TOLERANCES UNLESS OTHERWISE SPECIFIED: 一般公差

0 PLC ± -
 1 PLC ± -
 2 PLC ± -
 3 PLC ± -
 4 PLC ± -
 ANGLES ± -

MATERIAL 材料

FINISH 仕上