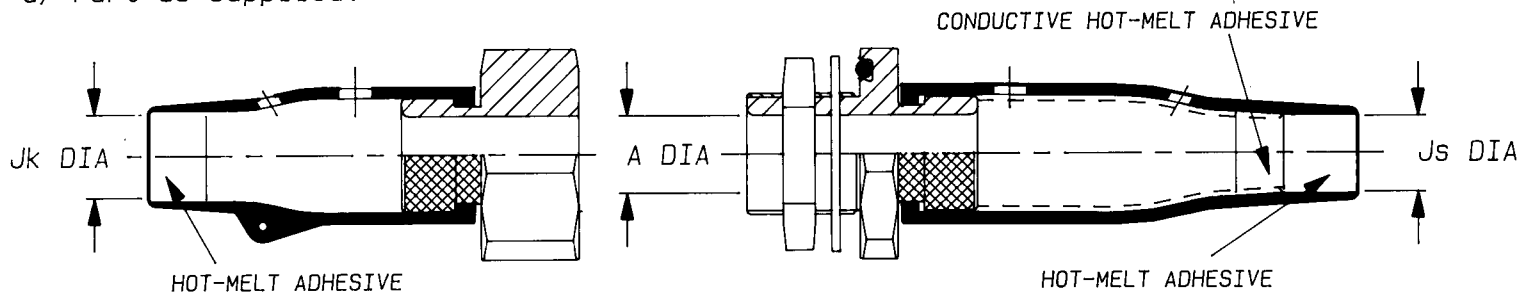


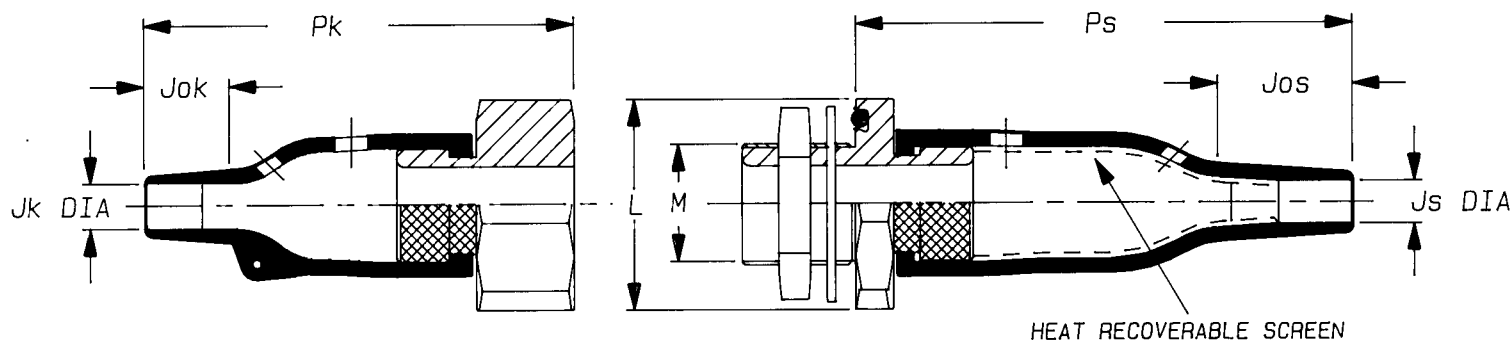
TCFS-**-***-2**-25CH

See over for Part Numbering System

a) Part as supplied.



b) Part after unrestricted recovery.



KITS TO INCLUDE CLEANING TISSUE, 1 PIECE 100 GRIT EMERY CLOTH & 1 PIECE OF ATUM.
KIT TO BE USED IN CONJUNCTION WITH TCFS INSTALLATION PROCEDURE.

Dimensions (in millimetres)

PART No.	A		JK		Js		M THREAD	A/F Nut	L NOM	Pk		Ps		Jok Ref	Jos Ref
	min	max	min	max	min	max				±10%	±10%	Ref	Ref		
	a	b	a	b	a	b				b	b	b	b		
TCFS-12	7.4	5.7	11	5.7	9	5.0	M12 x 1.5	17	24	49	50	9	15		
TCFS-16	10.1	6.0	15	6.0	13	6.0	M16 x 1.5	22	29	56	65	12	17		
TCFS-20	14.1	7.2	19	7.2	15	7.2	M20 x 1.5	27	34	60	77	17	20		
TCFS-24	19.1	8.5	23	8.5	19	8.5	M24 x 1.5	30	38	73	90	20	25		
TCFS-30	24.1	10.0	29	10.0	24	10.0	M30 x 1.5	36	47	72	115	21	30		
TCFS-36	30.1	15.8	35	15.8	33	15.8	M36 x 1.5	41	52	103	140	39	30		

Copyright (!)
Urheberrechte

The copyright in this drawing is the property of Raychem Ltd. The drawing is issued on condition that it is not copied, reproduced or disclosed to a third party, either in whole or in part without the prior written consent of Raychem Ltd.

Drawn D.MURRAY Checked *JX* Issue 5 Date May 1996

Conforms to ISO Recommendations
3rd Angle Projection
Not to Scale

Approval
Design

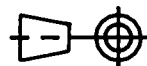
A.A.S.

MKTG.

JL

Q.A.

W. Jones



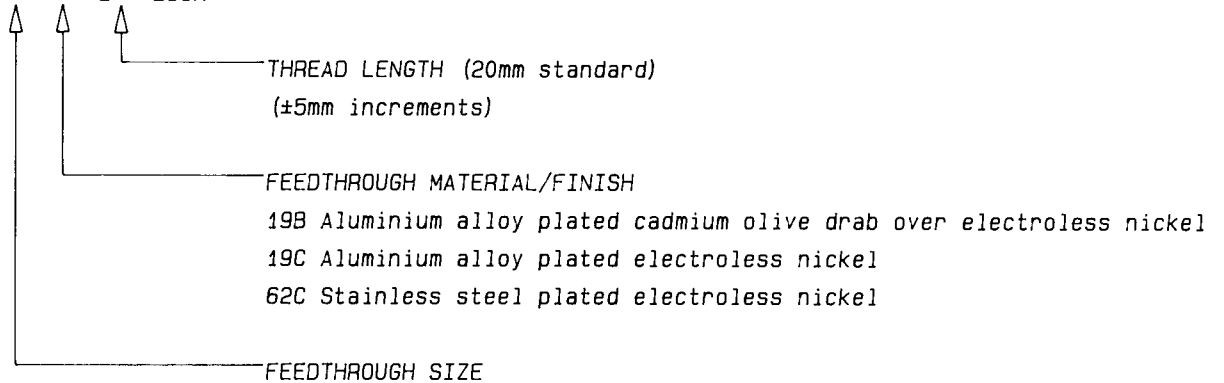
Iss.	Date	E.C.R. No.	Details of Change
2	November 1991	H0044	Ja CHANGED
3	January 1992	H0125	L was %
4	November 1992	H0125	S/S 30 L WAS 48
5	May 1996	H0295	S/S 12 Pk WAS 37

Material

(-25) DIESEL RESISTANT ELASTOMER

Part Numbering System.

TCFS-**-***-2**-25CH



Raychem
 Thermofit Division, Europe,
 Swindon, Wiltshire, England.
 Telephone: (0793) 528171 Fax: 573923