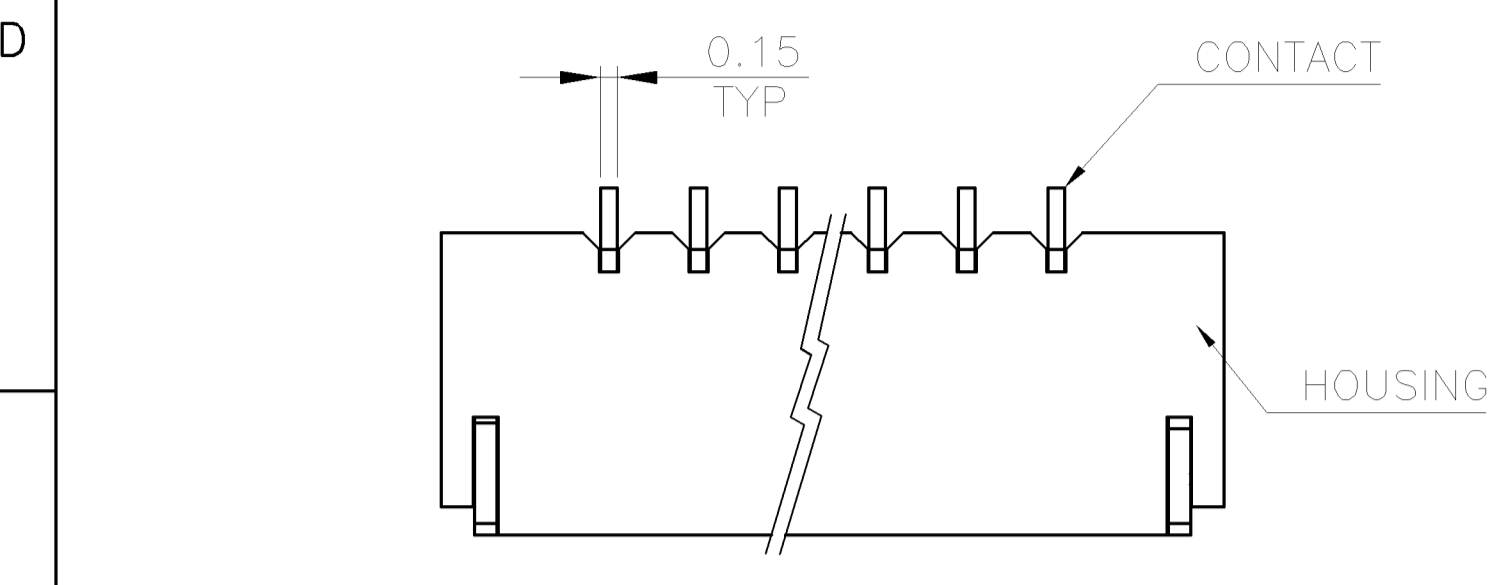
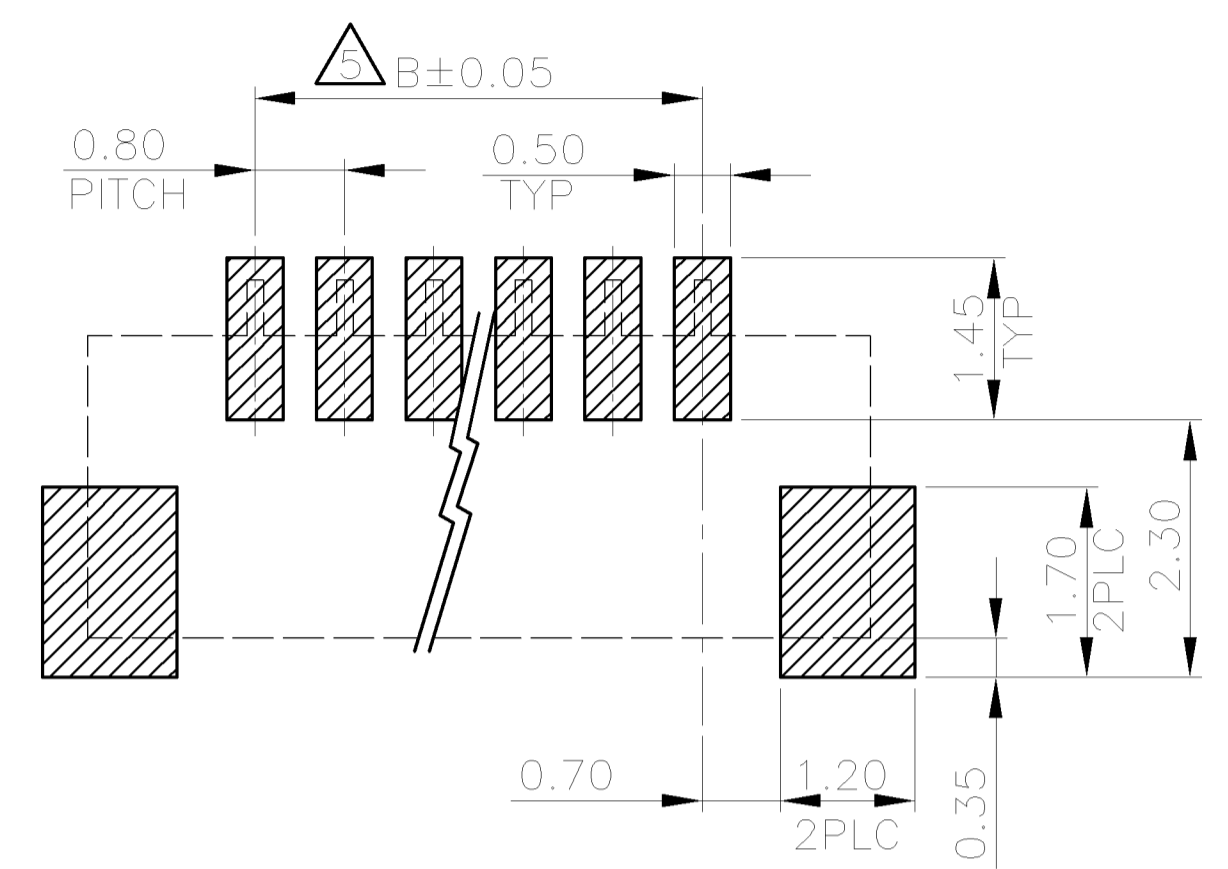


LOC DW DIST

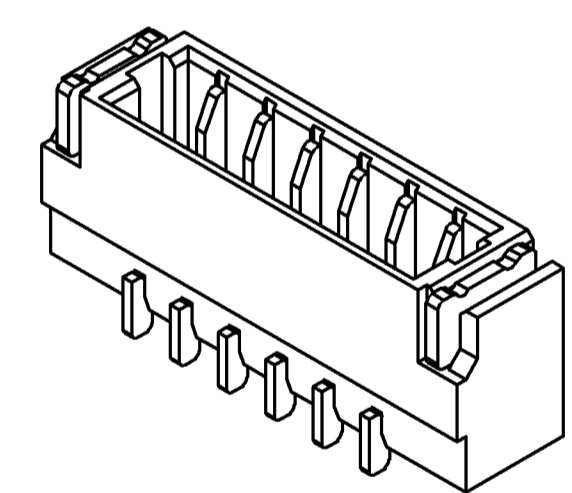
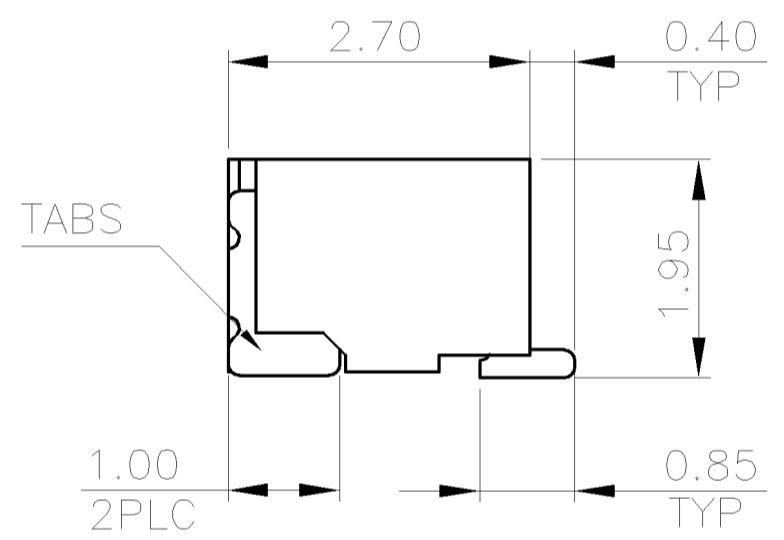
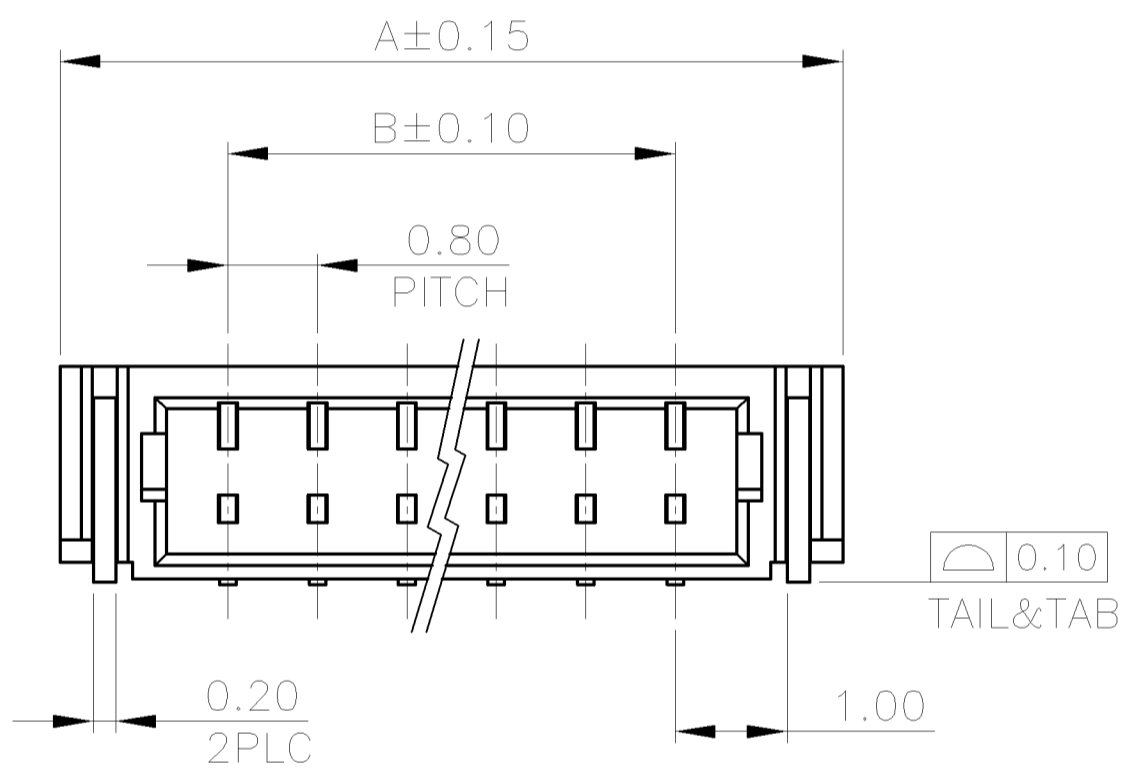
P		LTR		DESCRIPTION	DATE	DWN	APVD
		A2		REVISED (ECR-11-000007)	03JAN10	JC	WK



SHOWN AS 2041183-6



RECOMMENDED P.C.B. LAYOUT TOLERANCE: ±0.05 (COMPONENT VIEW)



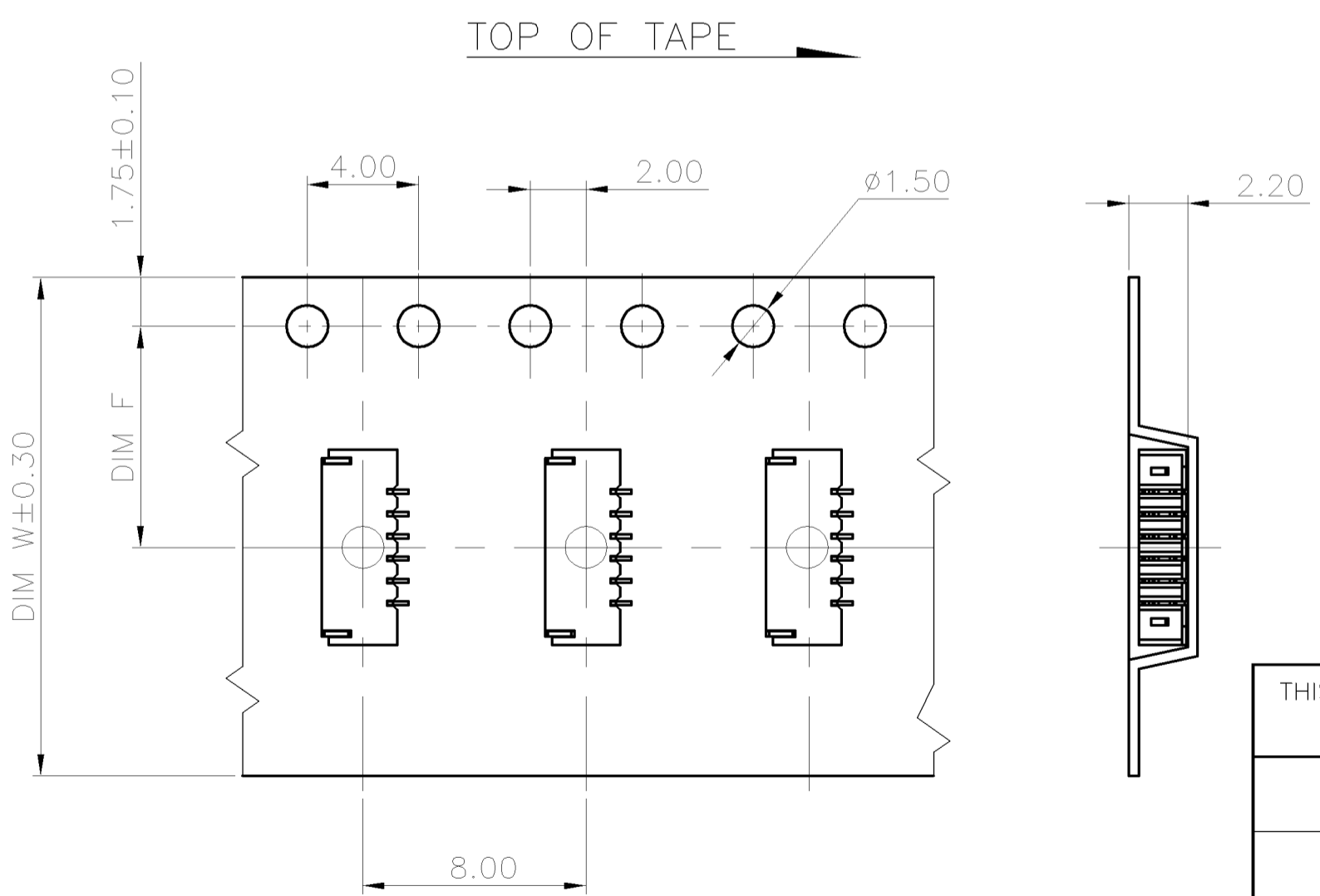
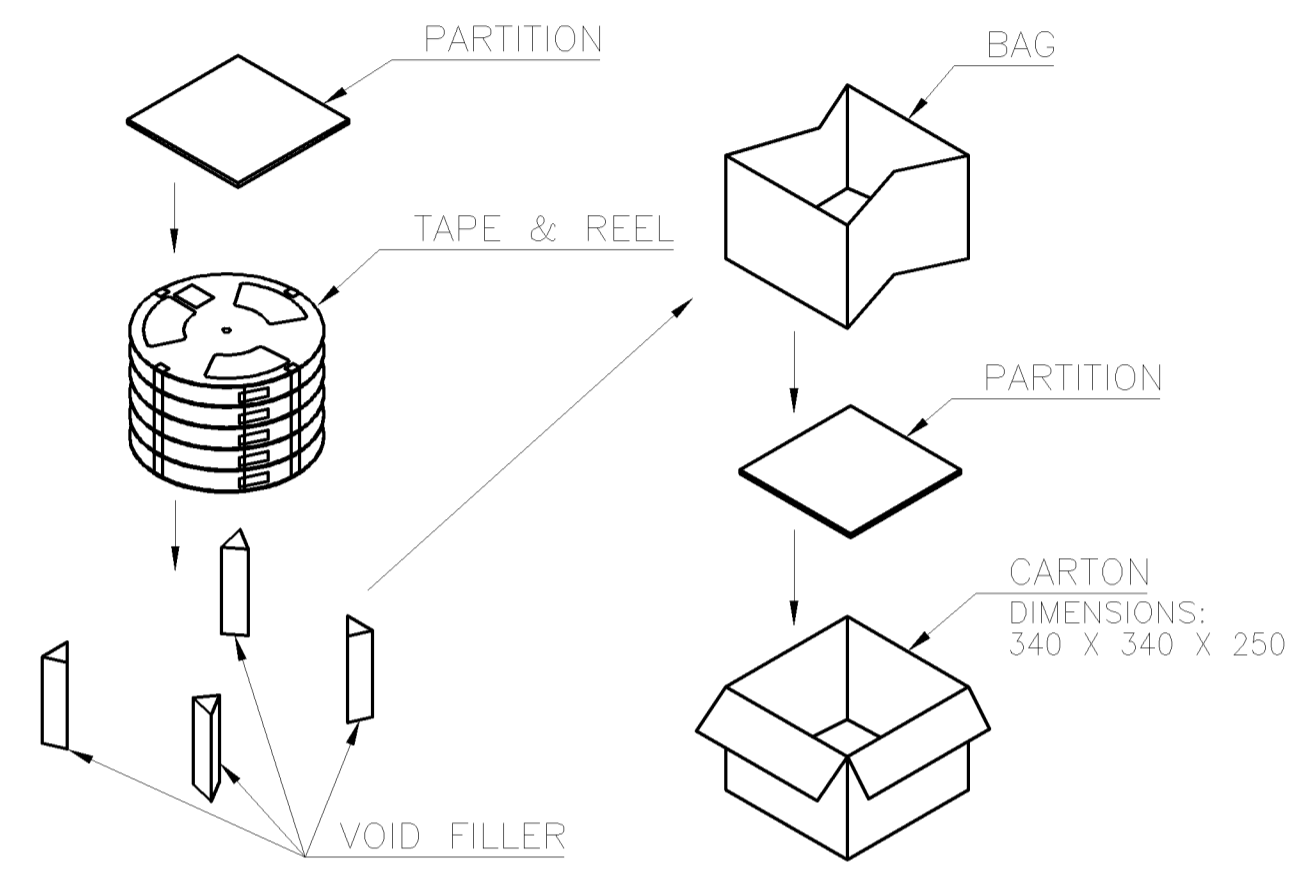
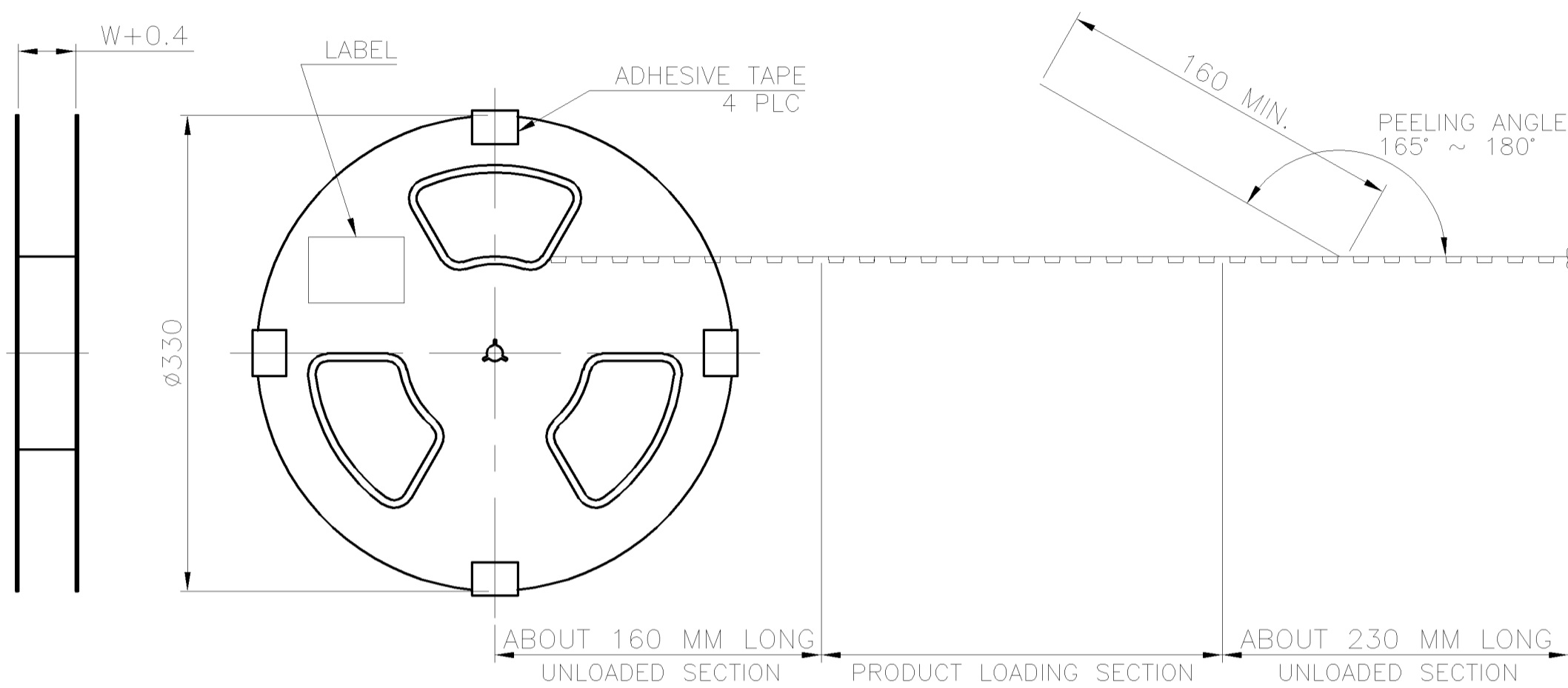
- NOTE:
- MATERIAL:  
HOUSING: LCP WITH 30% GF, UL 94V-0, NATURE COLOR.  
CONTACTS: PHOSPHOR BRONZE. 0.15±0.05mm THICKNESS.  
TABS: BRASS, 0.2±0.05mm THICKNESS.
  - FINISH:  
CONTACTS: 5.08µm [200µ"] MIN. MATTE-TIN OVER  
1.27µm [50µ"] MIN. NICKEL ON ENTIRE CONTACT.  
TABS: 2.54µm [100µ"] MIN. MATTE-TIN OVER  
1.27µm [50µ"] MIN. NICKEL PLATED.
  - REFLOW SOLDER CAPABLE TO 260°C PER TE TEST SPEC. 109-201, CONDITION B.
  - NO TE LOGO AND DATE CODE ON THE PRODUCT.
  - NO ACCUMULATE TOLERANCE.
  - LOW HALOGEN SPEC:  
CHLORINE(Cl): 900ppm MAX.  
BROMINE(Br): 900ppm MAX.
  - RECOMMEND MATING CONNECTOR PN:2041218-X.

0.04g	4.0	7.0	06	4-2041183-6
0.08g	8.8	11.8	12	1-2041183-2
0.06g	5.6	8.6	08	2041183-8
0.04g	4.0	7.0	06	2041183-6
0.03g	2.4	5.4	04	2041183-4
WEIGHT	DIMENSIONS		NO. OF CONTACTS	PART NUMBER

THIS DRAWING IS A CONTROLLED DOCUMENT.		DWN F. YANG 24NOV2009	Tyco Electronics Corporation	
DIMENSIONS: MM		CHK S. CHIEN 24NOV2009	Tyco Electronics Taipei, Taiwan	
TOLERANCES UNLESS OTHERWISE SPECIFIED:		APVD W. KODAMA 24NOV2009	NAME	
0 PLC ± -		108-57688		
1 PLC ± 0.3		PRODUCT SPEC		
2 PLC ± 0.2		APPLICATION SPEC		
3 PLC ± 0.15		SIZE CAGE CODE DRAWING NO RESTRICTED TO		
4 PLC ± -		A3 00779 C=2041183		
ANGLES ± 3°		WEIGHT SEE TABLE		
MATERIAL SEE NOTE		CUSTOMER DRAWING		
FINISH SEE NOTE		SCALE SHEET 1 OF 3 REV A2		

THIS DRAWING IS UNPUBLISHED. RELEASED FOR PUBLICATION AUG, 2006.  
 © COPYRIGHT 2009 BY TYCO ELECTRONICS CORPORATION. ALL RIGHTS RESERVED.

LOC DW	DIST /	REVISIONS		
P	LTR	DESCRIPTION	DATE	DWN APVD
		SEE SHEET 1.		



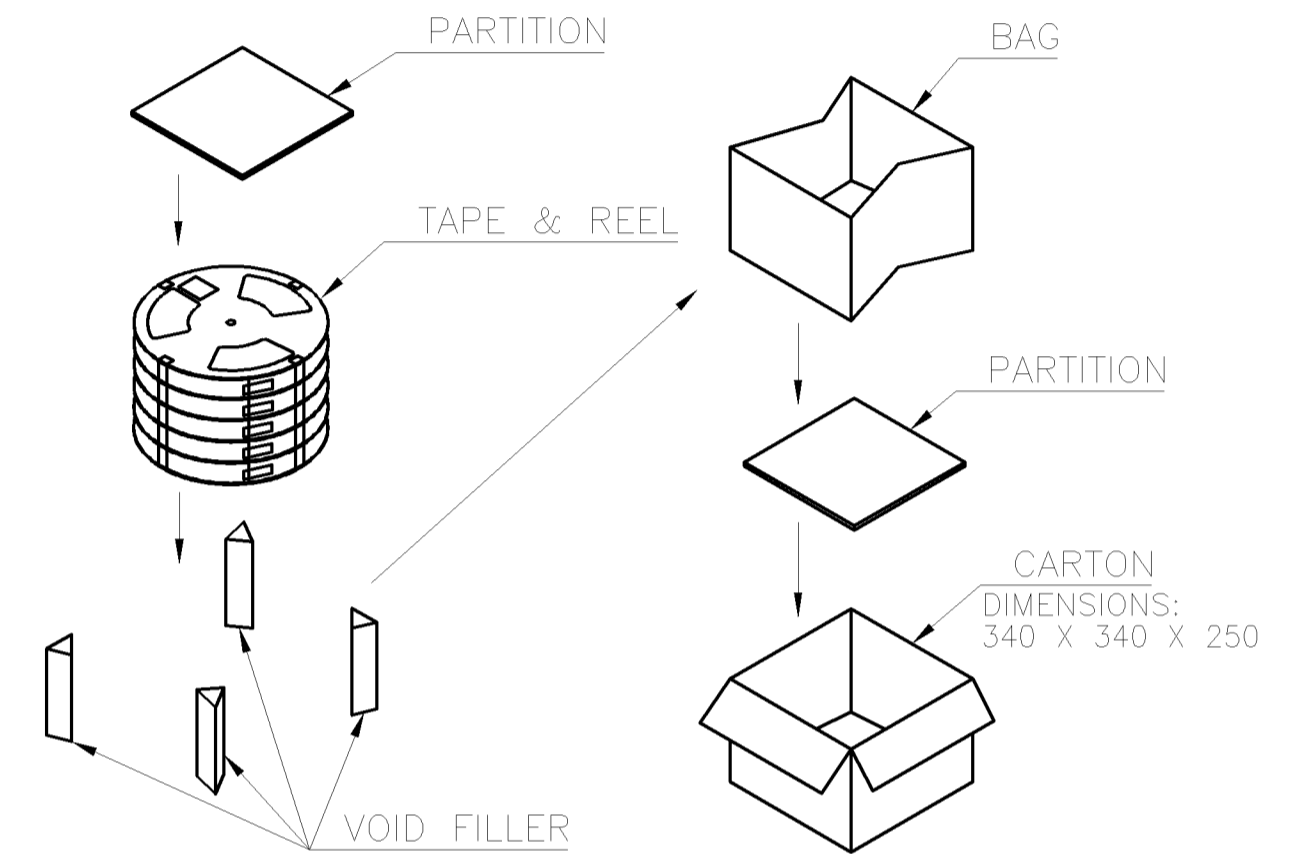
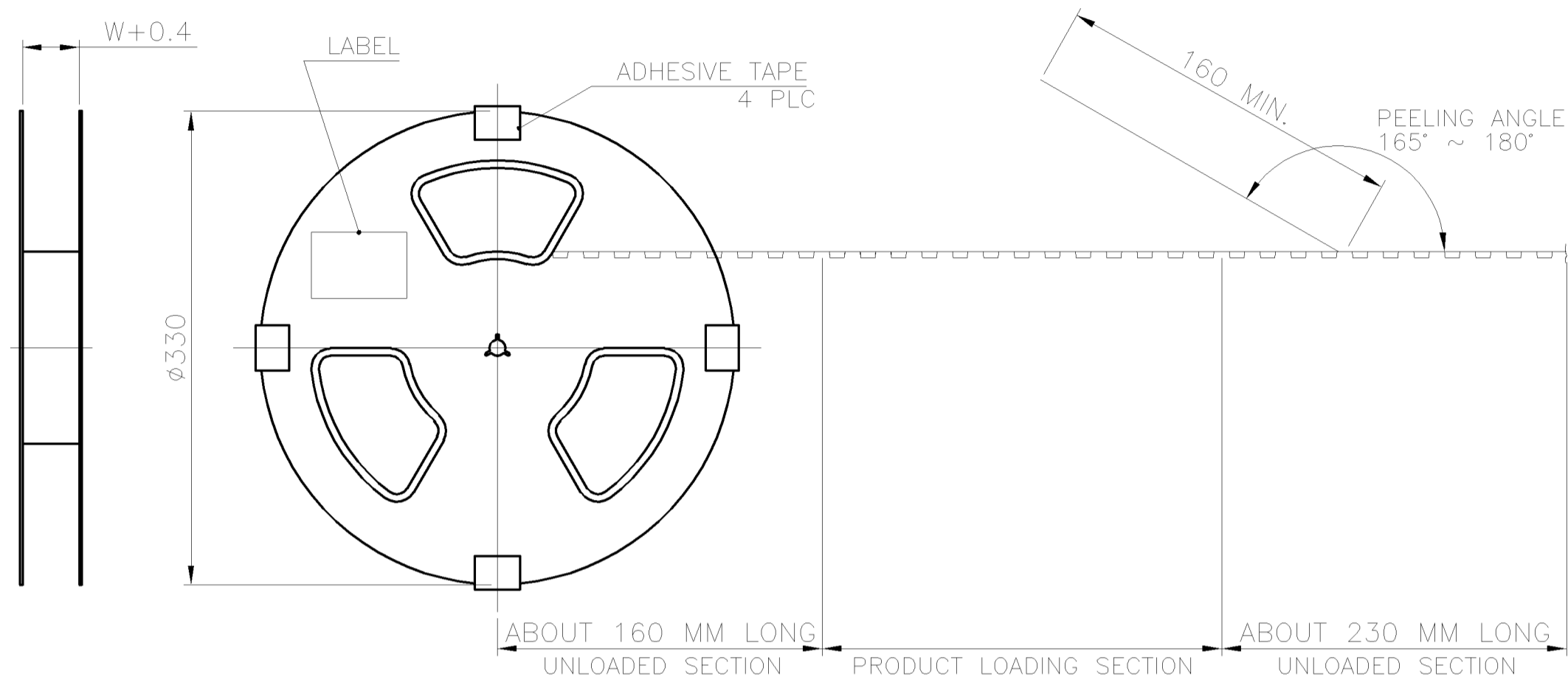
NOTE:  
 1. PEELING RESISTANCE: 10gf ~ 130gf.  
 2. PEELING SPEED: 300mm/MINUTE.

24	11.5	3500	7	24500	6.76	1.96	12	1-2041183-2
16	7.5	3500	10	35000	7.15	2.10	08	2041183-8
16	7.5	3500	10	35000	6.40	1.40	06	2041183-6
12	5.5	3500	12	42000	6.92	1.26	04	2041183-4
DIM W	DIM F	PCS/TAPE	REELS/BOX	QUANTITY (PCS)	G/W (Kg)	N/W (Kg)	NO. OF CONTACTS	PART NUMBER

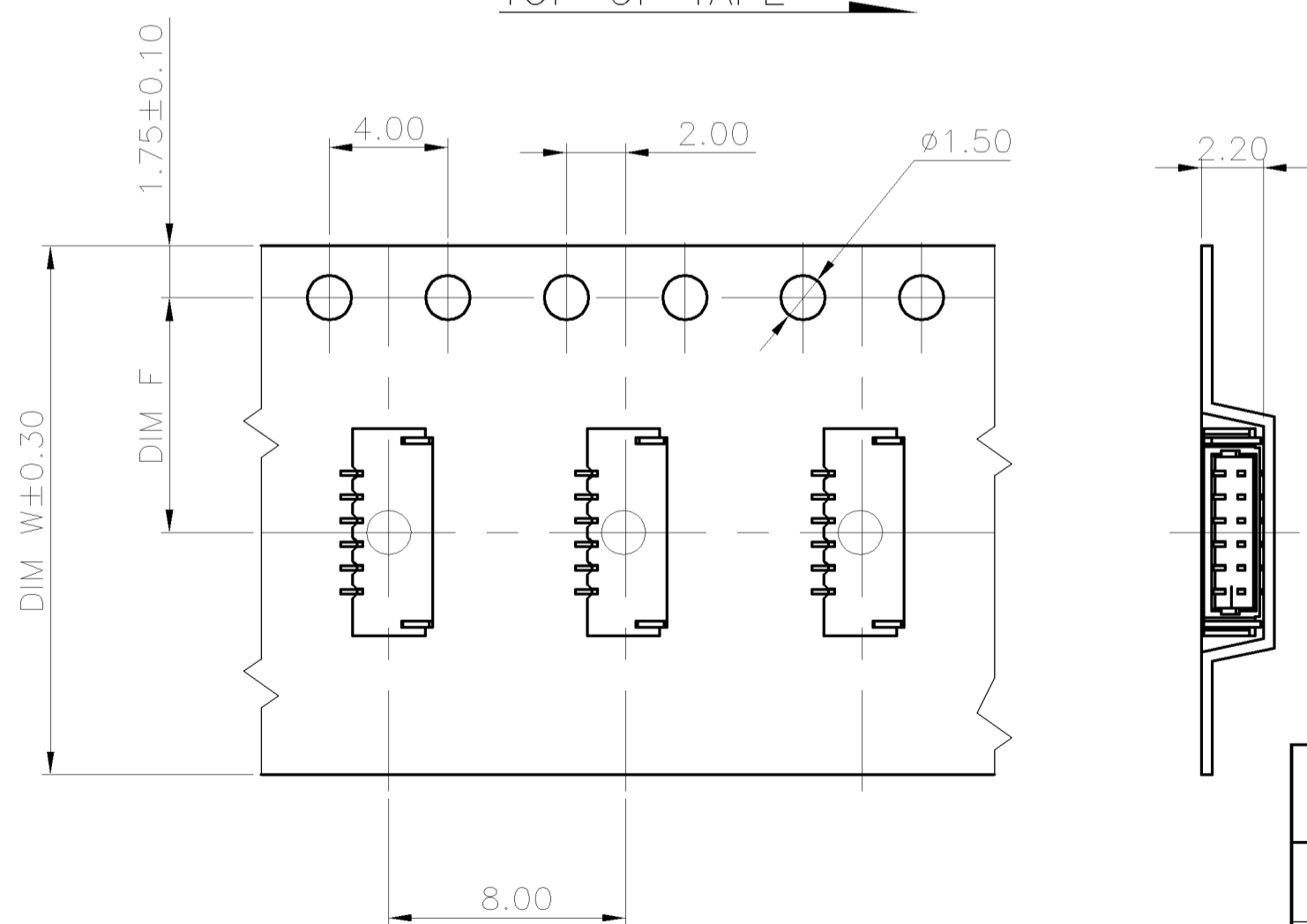
THIS DRAWING IS A CONTROLLED DOCUMENT.		DWN		Tyco Electronics Corporation	
DIMENSIONS: MM		CHK		Tyco Electronics Taipei, Taiwan	
TOLERANCES UNLESS OTHERWISE SPECIFIED:		APVD		NAME	
0 PLC ± -		PRODUCT SPEC		WIRE TO BOARD CONNECTOR, P=0.8mm, R/A, SMT TYPE	
1 PLC ± -		APPLICATION SPEC		SIZE CAGE CODE DRAWING NO RESTRICTED TO	
2 PLC ± -		WEIGHT SEE TABLE		A3 00779 C=2041183	
3 PLC ± -		CUSTOMER DRAWING		SCALE SHEET 2 OF 3 REV A2	
4 PLC ± -					
ANGLES ± -					
FINISH					

LOC DW DIST

REVISIONS		DESCRIPTION	DATE	DWN	APVD
P	LTR	SEE SHEET 1.			



NOTE:  
 1. PEELING RESISTANCE: 10gf ~ 130gf.  
 2. PEELING SPEED: 300mm/MINUTE.



16	7.5	3500	10	35000	6.40	1.40	06	4-2041183-6
DIM W	DIM F	PCS/TAPE	REELS/BOX	QUANTITY (PCS)	G/W (Kg)	N/W (Kg)	NO. OF CONTACTS	PART NUMBER

THIS DRAWING IS A CONTROLLED DOCUMENT.		DWN		Tyco Electronics Corporation Taipei, Taiwan			
DIMENSIONS: MM		CHK					
TOLERANCES UNLESS OTHERWISE SPECIFIED: 0 PLC ± - 1 PLC ± - 2 PLC ± - 3 PLC ± - 4 PLC ± - ANGLES ± -		APVD		NAME			
MATERIAL		PRODUCT SPEC		<b>WIRE TO BOARD CONNECTOR,          P=0.8mm, R/A, SMT TYPE</b>			
FINISH		APPLICATION SPEC					
-		WEIGHT		SIZE	CAGE CODE	DRAWING NO	RESTRICTED TO
-		SEE TABLE		A3	00779	G=2041183	-
CUSTOMER DRAWING				SCALE	SHEET	REV	
-				-	3 OF 3	A2	