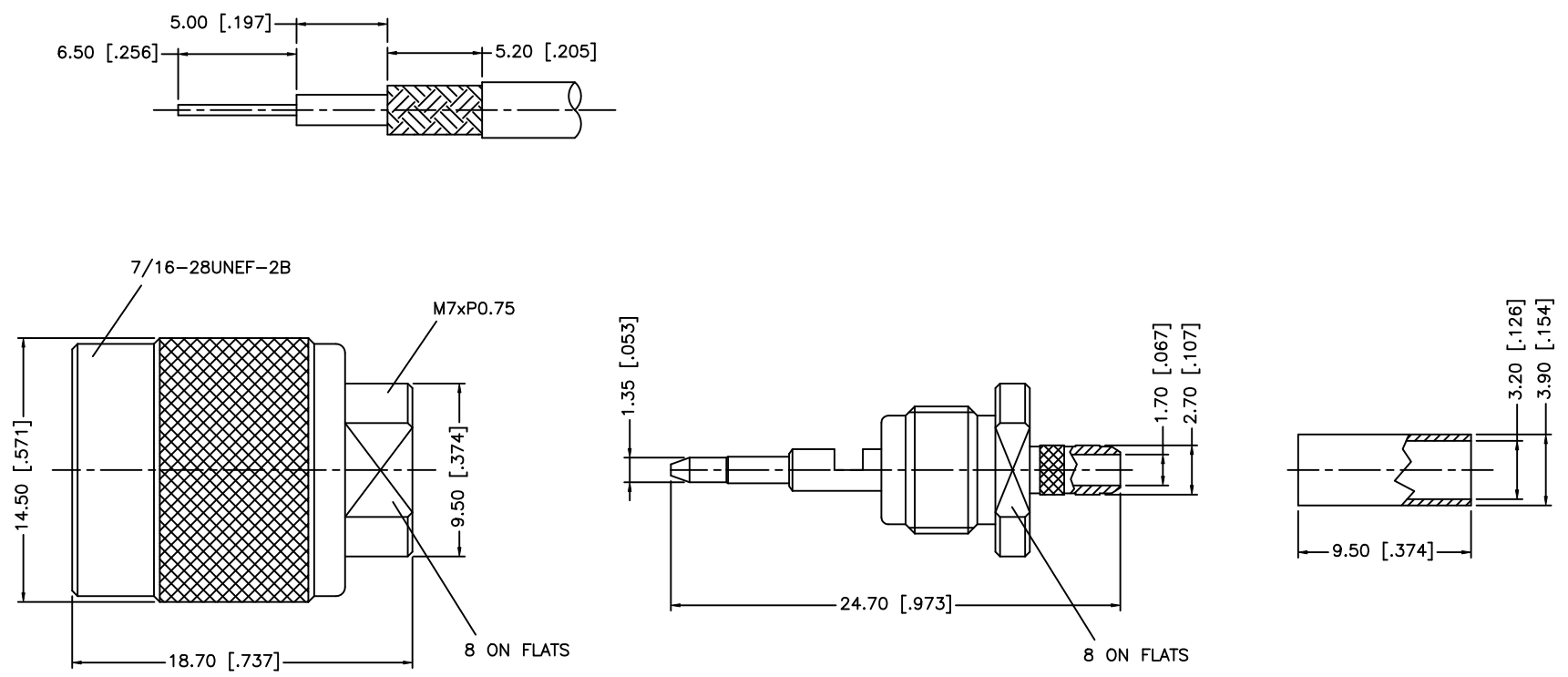


REV.	DATE	ECR NO.	DESCRIPTION
NC	06/11/97	-	INITIAL RELEASE
A	11/08/08	-	UPDATE DRAWING FORMAT



DESCRIPTION	MATERIAL	FINISH	QTY	
8				
7				
6				
5	FERRULE	BRASS	NICKEL	1
4	BARREL	BRASS	NICKEL	1
3	CONTACT PIN	BRASS	GOLD	1
2	INSULATOR	PTFE	NATURAL	1
1	BODY	BRASS	NICKEL	1

UNLESS OTHERWISE SPECIFIED DIMENSIONS ARE IN MILLIMETERS. DIMENSIONS IN [ ] ARE IN INCHES AND FOR CUSTOMER REFERENCE ONLY.

UNLESS OTHERWISE SPECIFIED TOLERANCES FOR MILLIMETERS ARE:  
0.5 - 8mm ± 0.20mm  
8 - 30mm ± 0.40mm  
30 - 120mm ± 0.50mm

UNLESS OTHERWISE SPECIFIED TOLERANCES FOR INCHES ARE:  
.020 - .315 = ± 0.007"  
.315 - 1.180 = ± 0.015"  
1.180 - 4.724 = ± 0.020"

DO NOT SCALE DRAWING

APPROVALS	DATE
DRAWN GRS	11/08/08
CHECKED	
ISSUED	
SHEET 1 OF 1	
CAD FILE	C:/122/122395.DWG

**Amphenol Connex**

PART DESCRIPTION  
**TNC CRIMP PLUG**  
**(FOR 174/U, 316/U CABLE - HIGH FREQUENCY)**

PART NO.  
**122395**

DWG. NO.	122395.DWG	REV.	A	SIZE	A	SCALE	NA
----------	------------	------	---	------	---	-------	----