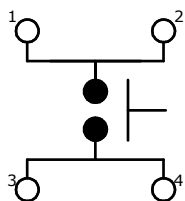
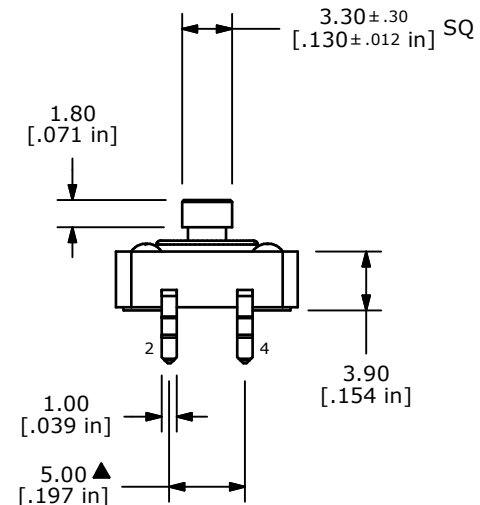
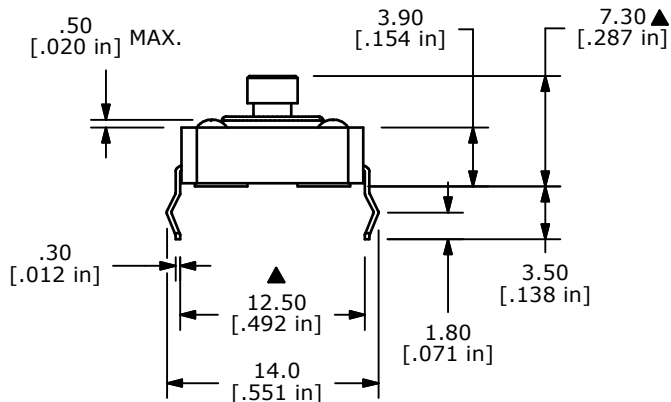
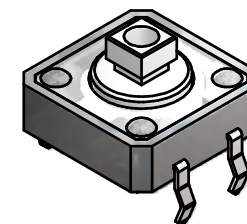
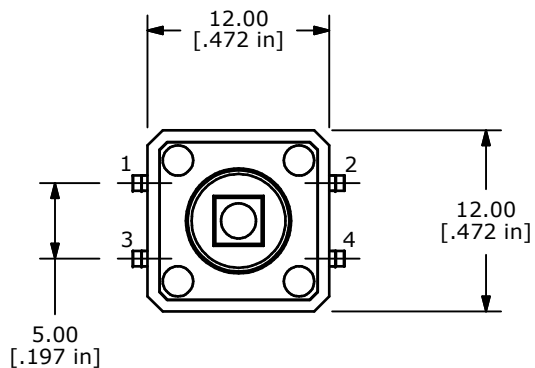


PCB LAYOUT



CIRCUIT DIAGRAM: SPST



NOTES:

1. ALL DIMENSIONS IN mm [INCH]
2. GENERAL TOLERANCE: X.X=±0.4
X.XX=±0.25
3. TERM. NOS. FOR REFERENCE ONLY.
4. RATING: 50mA @ 12VDC
- ▲ 5. OPERATING FORCE: 160 ± 50 gms
6. TRAVEL: 0.3mm ±0.15
7. CONTACT RESISTANCE: 100 MILLI OHMS MAX. (INITIAL)
8. MECHANICAL/ELECTRICAL LIFE 300,000 CYCLES MIN.
- ▲ 9. CONTACT DOME: STAINLESS STEEL
10. 2002/95/EC (ROHS) COMPLIANT
11. ▲ DENOTES CRITICAL PARAMETER



D	20597	CHD CIRCUIT DIA, DRW IN INVENTOR	06/07/12	drg
REV	PCR NO	DESCRIPTION	DATE	BY

TITLE TL1100F160Q				
SCALE	DATE	DR	DWG	REV
NONE	6/7/2012	drg	P001099	D

THE INFORMATION CONTAINED IN THIS DOCUMENT IS PROPRIETARY TO E-SWITCH AND IS NOT TO BE COPIED OR TRANSFERRED