

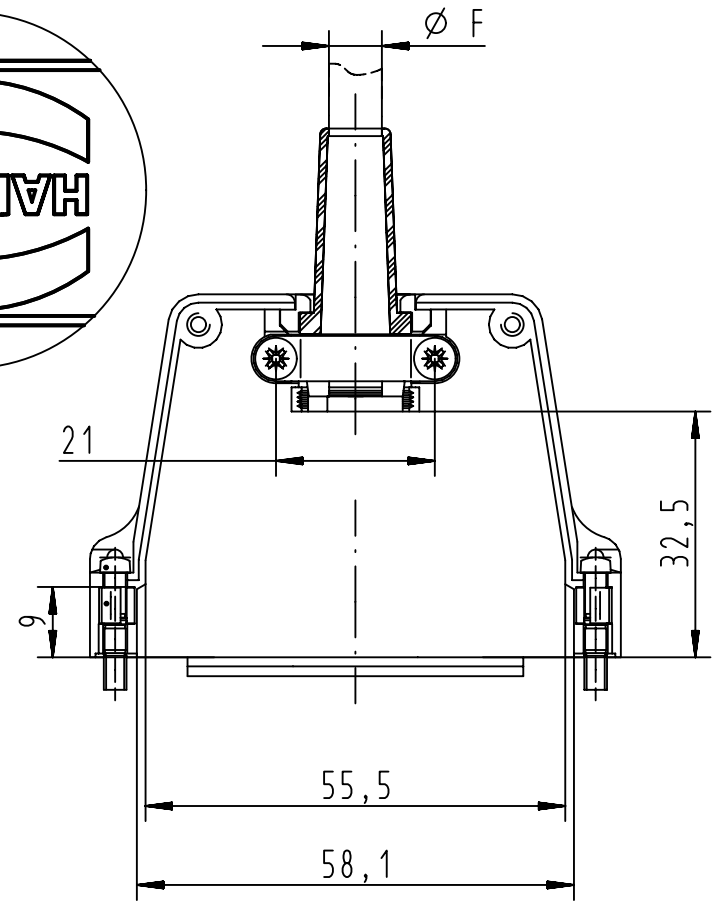
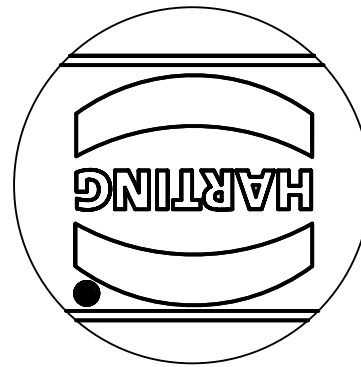
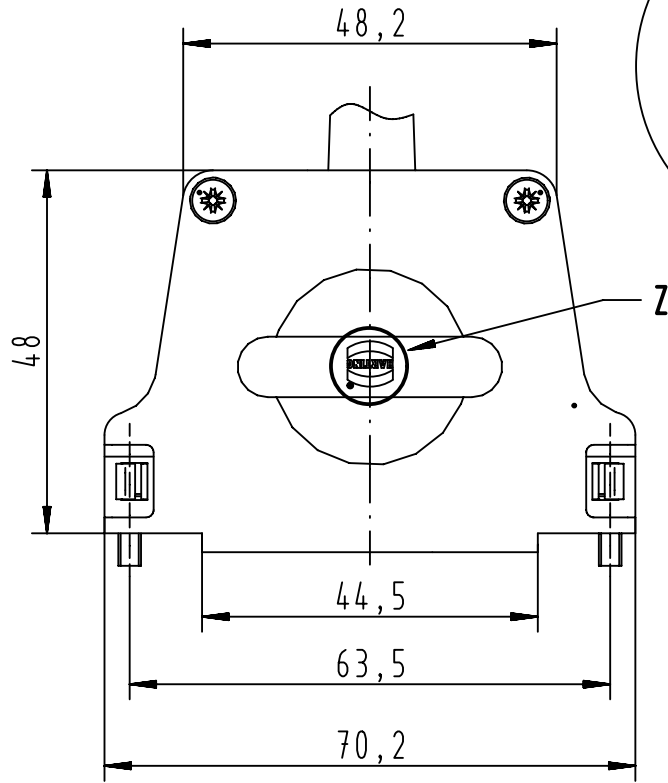
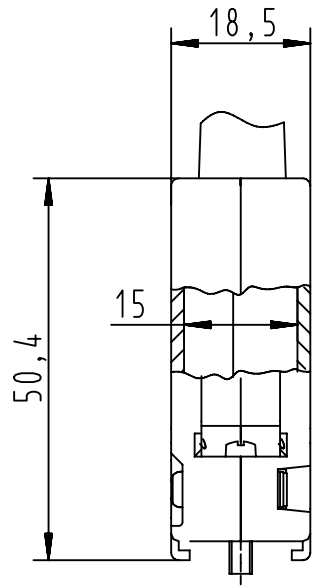
1 2 3 4 5 6

A

B

C


D



Minimum cable \varnothing :
 $\varnothing_{Fmin}=3,0$

Maximum cable \varnothing :
 - with rubber bushing : $\varnothing_{Fmax}=9,0$
 - without rubber bushing : $\varnothing_{Fmax}=12,0$
 - without reduction plate: $\varnothing_{Fmax}=15$

09670370344	4-40UNC
Part number	screw thread

	All rights reserved Department EC PD - FR	All Dimensions in mm Original Size DIN A4			Scale 1:1	Free size tol.		Ref. Sub.		
		HARTING Electronics GmbH D-32339 Espelkamp	Created by DOUGE	Inspected by BAGDIKIAN	Standardisation HOFFMANN	Date 2013-02-05	State Final Release		Doc-Key / ECM-Nr. 100521326/UGD/001/A 500000056836	
		Title D-Sub Hood 37P top entry full metal						Rev. A		Page 1/1
		Type TB		Number 09670370344						