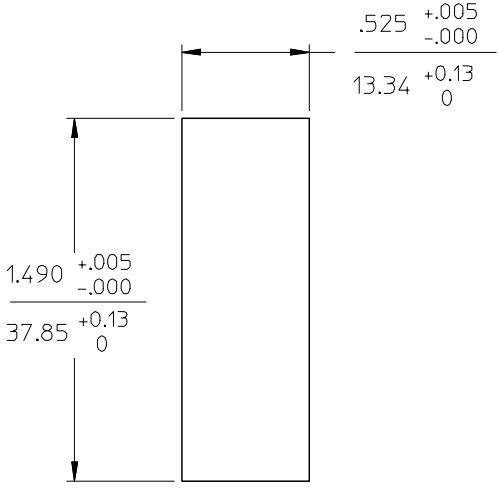
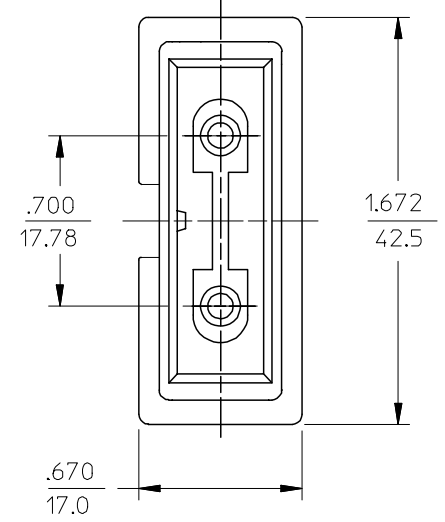
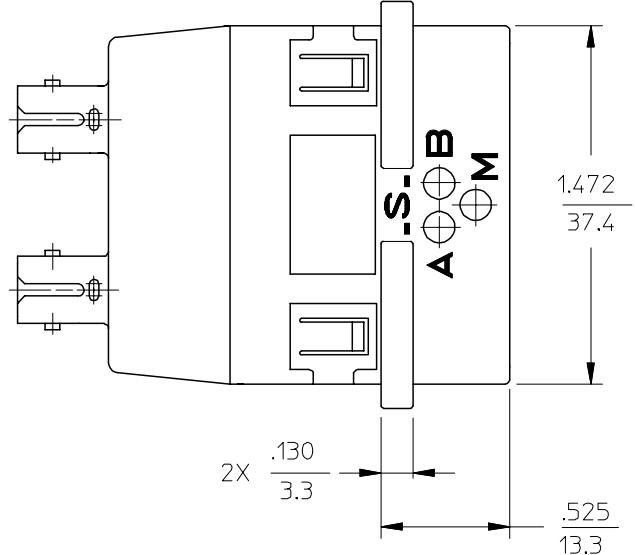
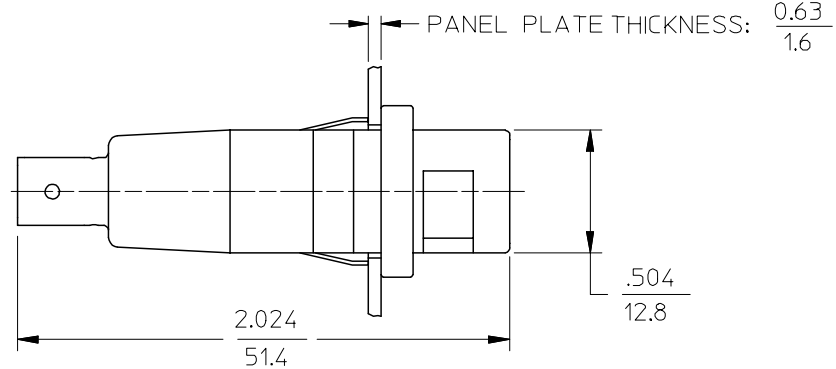


P/N OF ADAPTER	MATERIAL OF SLEEVE	COLOR OF DUST CAP & COVER
106130-0500	CERAMIC	BLACK
106133-0500	PLASTIC	RED



RECOMMENDED MOUNTING HOLE



NOTE:
1. ALL DIMENSIONS ARE FOR REFERENCE ONLY EXCEPT THOSE ON MOUNTING HOLE.

ENTER DESCRIPTION EC NO: MF2006-0176 DRWN:PGIBLIN CHKD: APPR:IGUMIN 2005/12/15 2005/12/16 2005/12/16	QUALITY SYMBOLS ▽=0 ▽=0	GENERAL TOLERANCES (UNLESS SPECIFIED)		DIMENSION STYLE	SCALE	DESIGN UNITS	THIRD ANGLE PROJECTION	
		mm	INCH	IN/MM	2:1	INCH		
		4 PLACES ± ---	± ---	P G I B L I N	DATE	TITLE		
		3 PLACES ± ---	± ---	CHECKED BY	DATE	ST-FDDI ADAPTER (SMALL FLANGE)		
2 PLACES ± ---	± ---	APPROVED BY	DATE	MOLEX INCORPORATED				
1 PLACE ± ---	± ---	ANGULAR ±1/2°		MATERIAL NO.	DOCUMENT NO.	SHEET NO.		
DRAFT WHERE APPLICABLE MUST REMAIN WITHIN DIMENSIONS		SEE TABLE		SD-10613X-0500		1 OF 01		
				THIS DRAWING CONTAINS INFORMATION THAT IS PROPRIETARY TO MOLEX INCORPORATED AND SHOULD NOT BE USED WITHOUT WRITTEN PERMISSION				