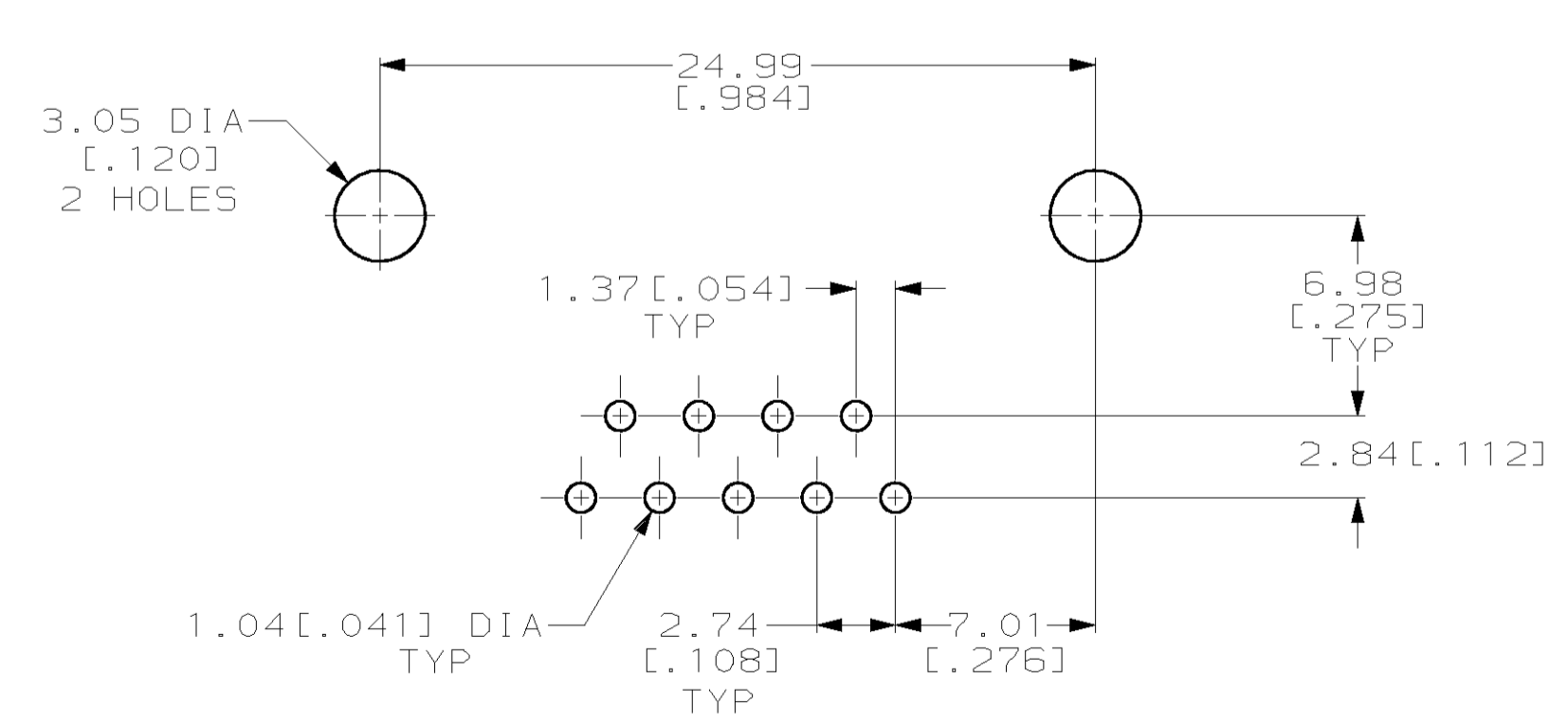
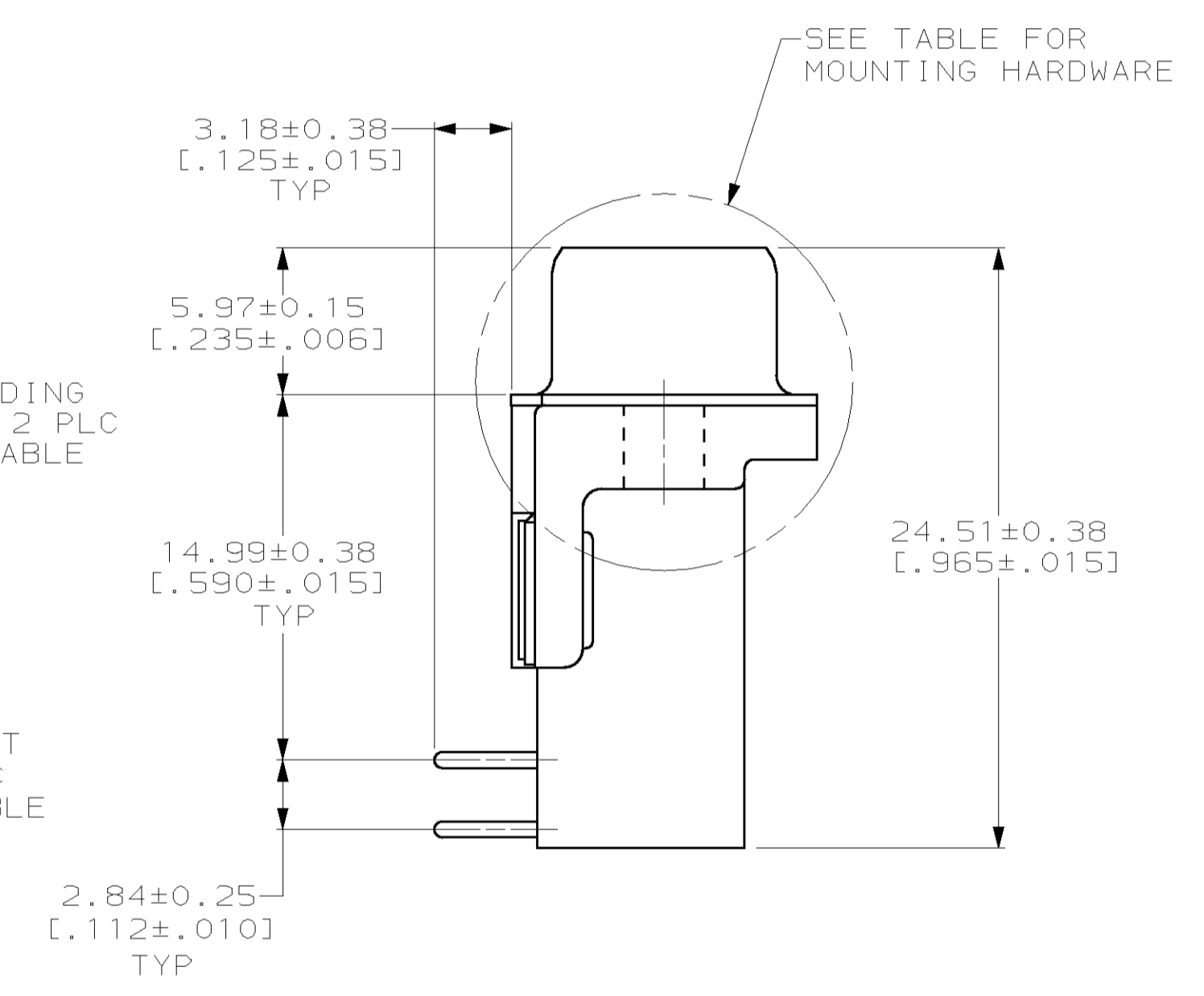
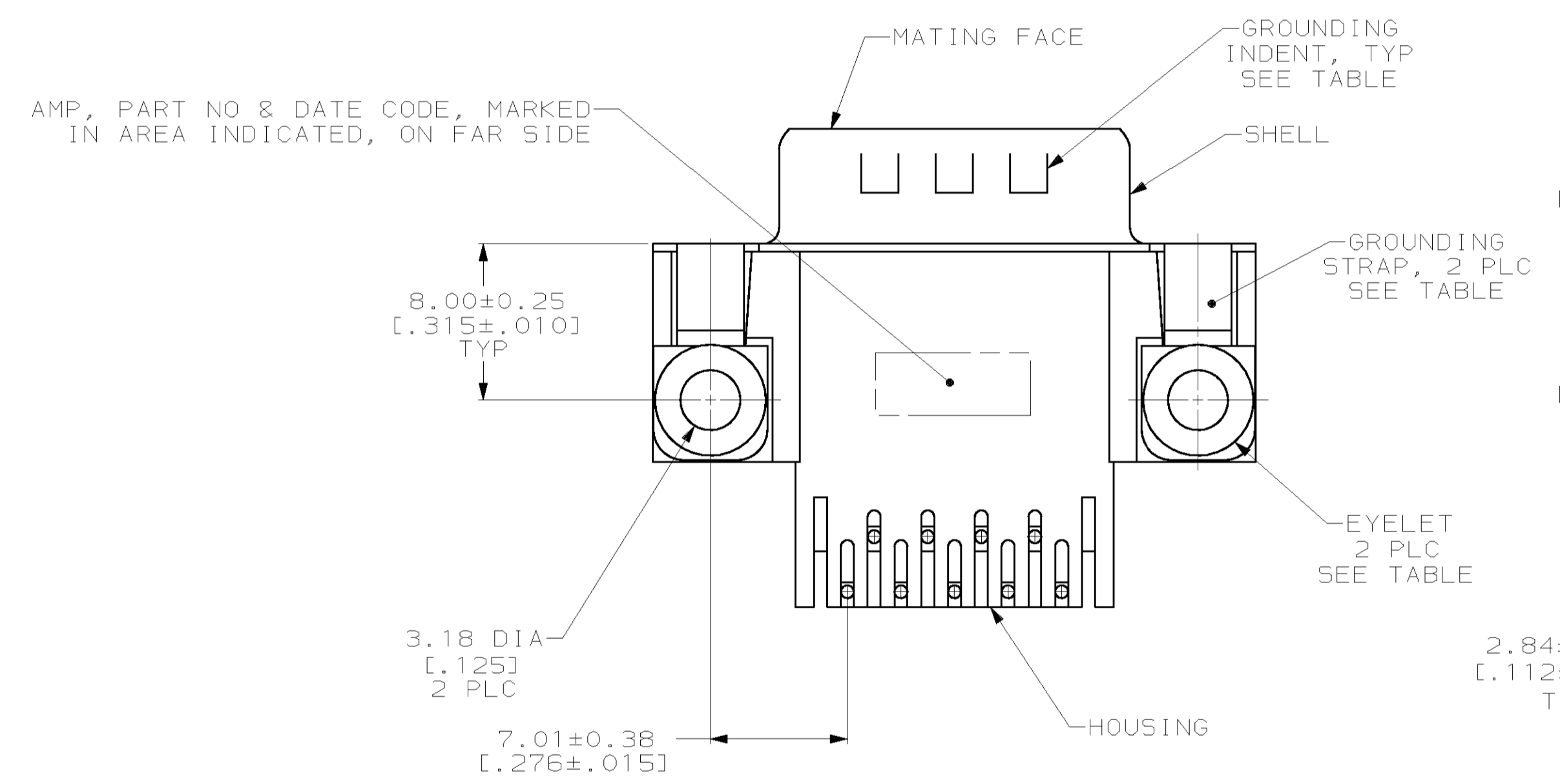
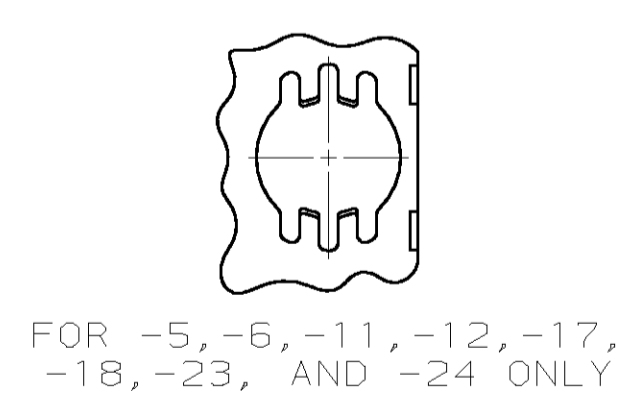


DETAIL B

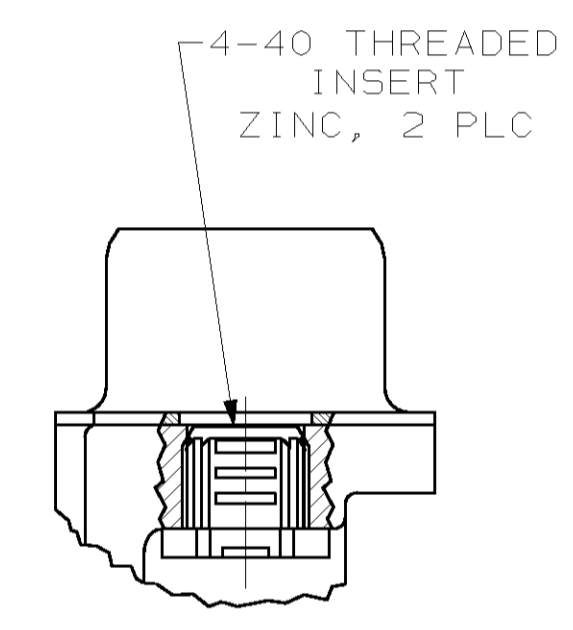


P.C. BOARD MOUNTING DIMENSIONS

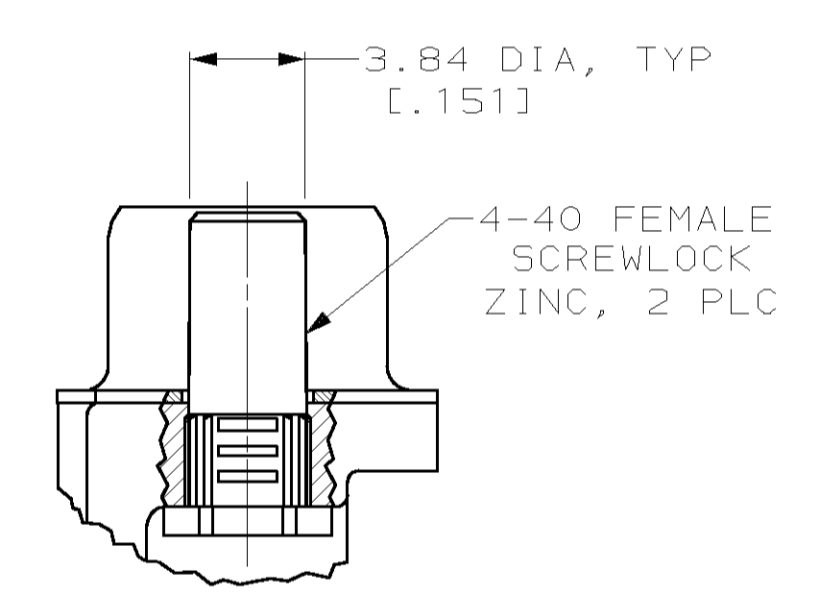


DETAIL F
2 PLC

- 1 NYLON OR POLYESTER, FLAME RETARDANT, UL 94V-0 RATED, GLASS FILLED, BLACK.
- 2 BRASS PER MIL-C-50.
- 3 CARBON STEEL PER ASTM A109.
- 4 GOLD PLATING PER MIL-G-45204; NICKEL PLATING PER QQ-N-290; TIN PLATING PER MIL-T-10727; COPPER PLATING PER MIL-C-14550.
- 5 2.54µm [0.000100] MIN TIN OVER 1.27µm [0.000050] MIN COPPER.
- 6 5.08µm [0.000200] MIN TIN OVER COPPER FLASH.
- 7 GOLD PLATED FOR LENGTH OF 3.83 [0.150] MIN FROM MATING END, GOLD FLASH IN MATED AREA, 2.54µm [0.000100] MIN TIN OR TIN-LEAD FOR A LENGTH OF 3.56 [0.140] MIN FROM OPPOSITE END, BOTH OVER 1.27µm [0.000050] MIN NICKEL.
- 8 GOLD PLATED FOR LENGTH OF 3.81 [0.150] MIN FROM MATING END, 0.76µm [0.000030] MIN GOLD IN MATED AREA, 2.54µm [0.000100] MIN TIN OR TIN-LEAD FOR A LENGTH OF 3.56 [0.140] MIN FROM OPPOSITE END, BOTH OVER 1.27µm [0.000050] MIN NICKEL.
- 9 OBSOLETE PART NUMBER.
- 10 SUPERSEDED BY 747832-4.
- 11 SUPERSEDED BY 747832-6.



DETAIL D



DETAIL E

GROUNDING INDENTS	GROUNDING STRAPS	EYELETS	MOUNTING HARDWARE	CONTACT FINISH	PART NUMBER
NO	NO	NO	SEE DETAIL E	8	2-745990-4
			SEE DETAIL D	7	2-745990-3
			-	8	2-745990-2
			-	8	2-745990-1
YES	YES	YES	SEE DETAIL E	8	2-745990-0
			SEE DETAIL D	8	1-745990-9
			-	8	1-745990-8
			-	8	1-745990-7
YES	YES	YES	SEE DETAIL E	8	1-745990-6
			SEE DETAIL D	8	1-745990-5
			-	8	1-745990-4
			-	8	1-745990-3
YES	NO	NO	SEE DETAIL E	8	1-745990-2
			SEE DETAIL D	8	1-745990-1
			-	8	1-745990-0
			-	8	745990-9
YES	YES	YES	SEE DETAIL E	8	745990-8
			SEE DETAIL D	8	745990-7
			-	8	745990-6
			-	8	745990-5
YES	YES	YES	SEE DETAIL E	8	745990-4
			SEE DETAIL D	8	745990-3
			-	8	745990-2
			-	8	745990-1

THIS DRAWING IS A CONTROLLED DOCUMENT. DWG: W.G. LENKER 16 OCT 89, CHK: R. STONE 05 FEB 90, APVD: M.D. GALLOWAY 06 FEB 90

AMP AMP Incorporated, Harrisburg, PA 17105-3608

DIMENSIONS: mm [INCHES]	TOLERANCES UNLESS OTHERWISE SPECIFIED:	NAME: M.D. GALLOWAY	PRODUCT SPEC: 108-40025
0 PLC ±.01	1 PLC ±.01	APPLICATION SPEC: 114-40010	SIZE: CAGE CODE DRAWING NO
2 PLC ±.01	3 PLC ±.01	WEIGHT: -	A1 00779
4 PLC ±.01	ANGLES ±2°	CUSTOMER DRAWING	RESTRICTED TO

MATERIAL: HOUSING: 1, SHELL: 2, EYELETS: 3, CONTACTS: 4, FINISH: 5, CONTACTS: SEE TABLE, SHELL: 6, EYELETS: 7

SCALE: 4:1, SHEET: 1 OF 1, REV: N