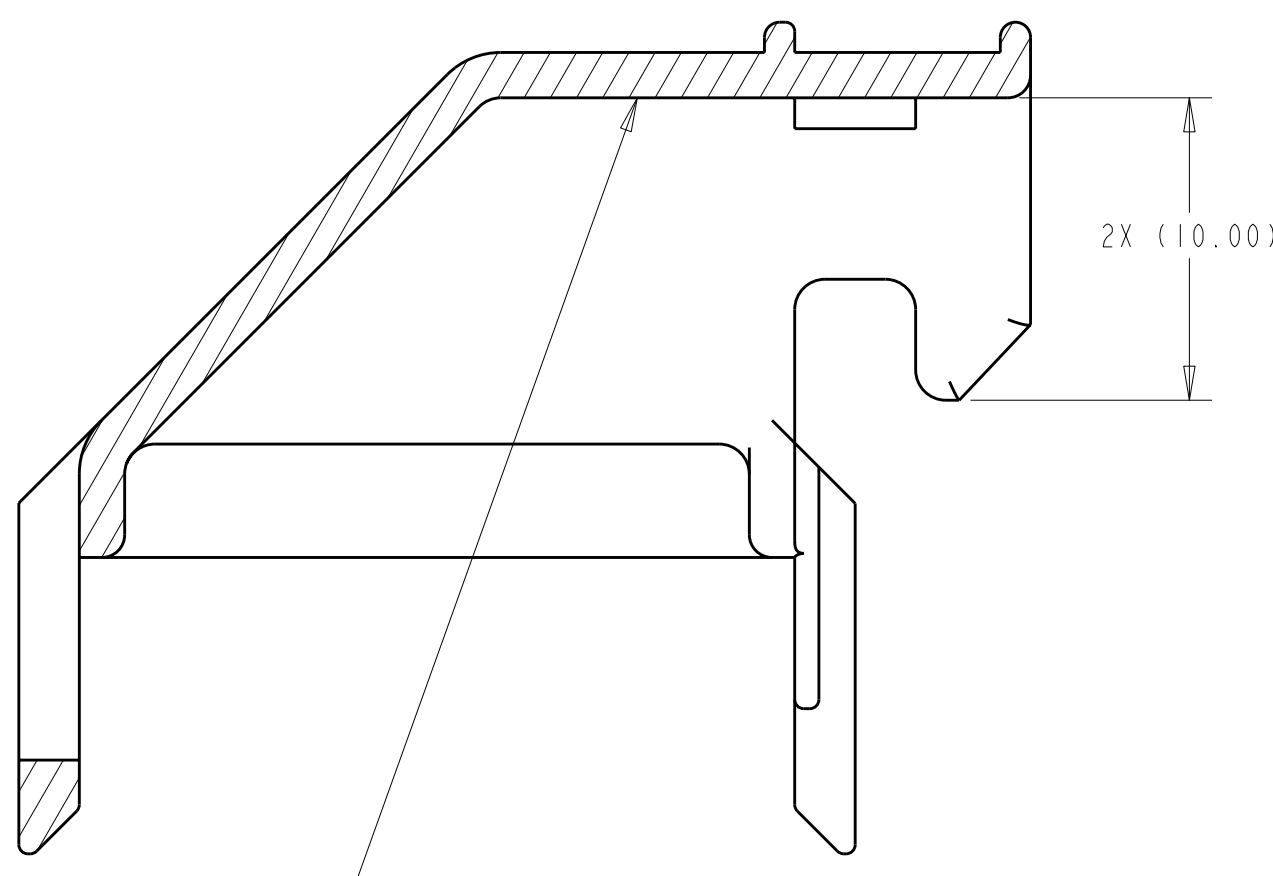
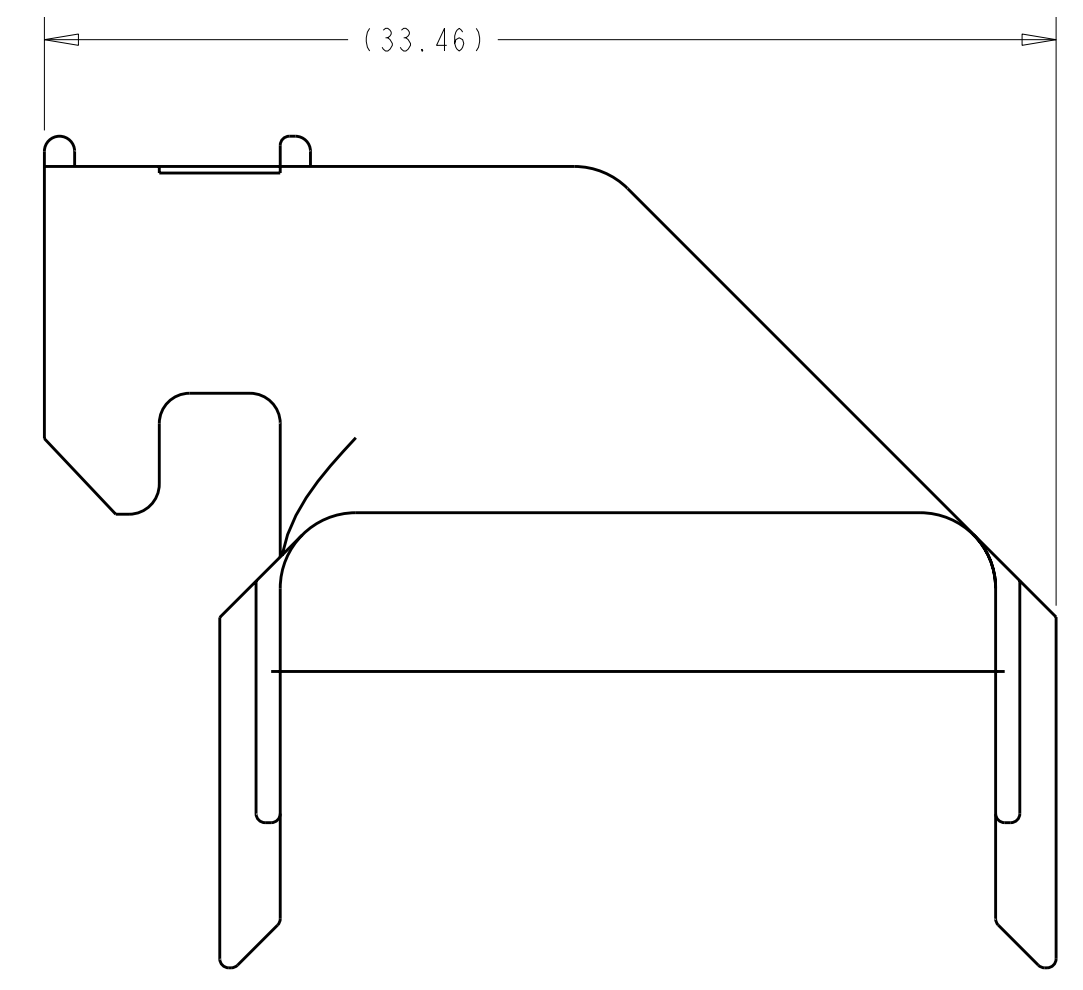
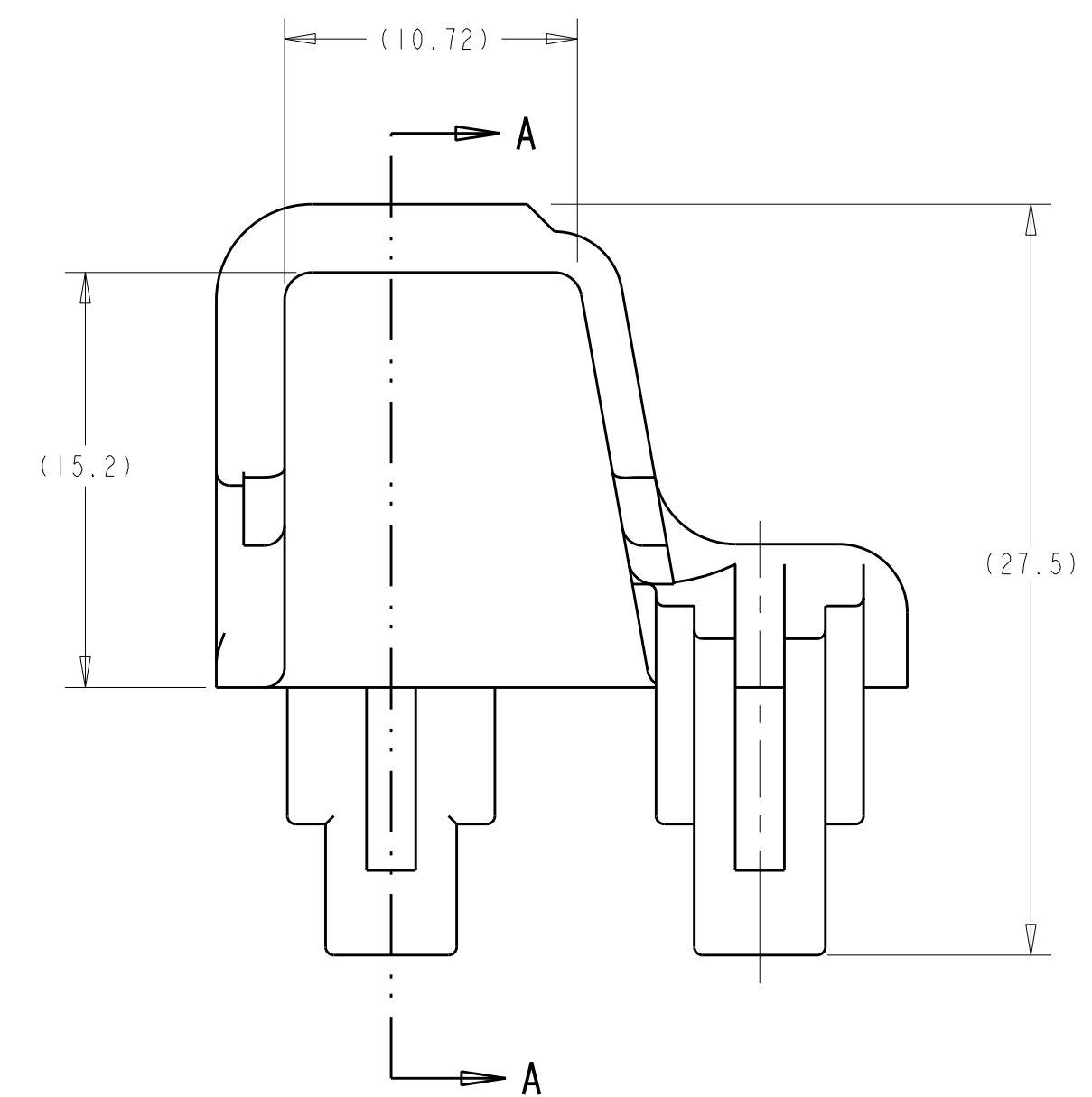
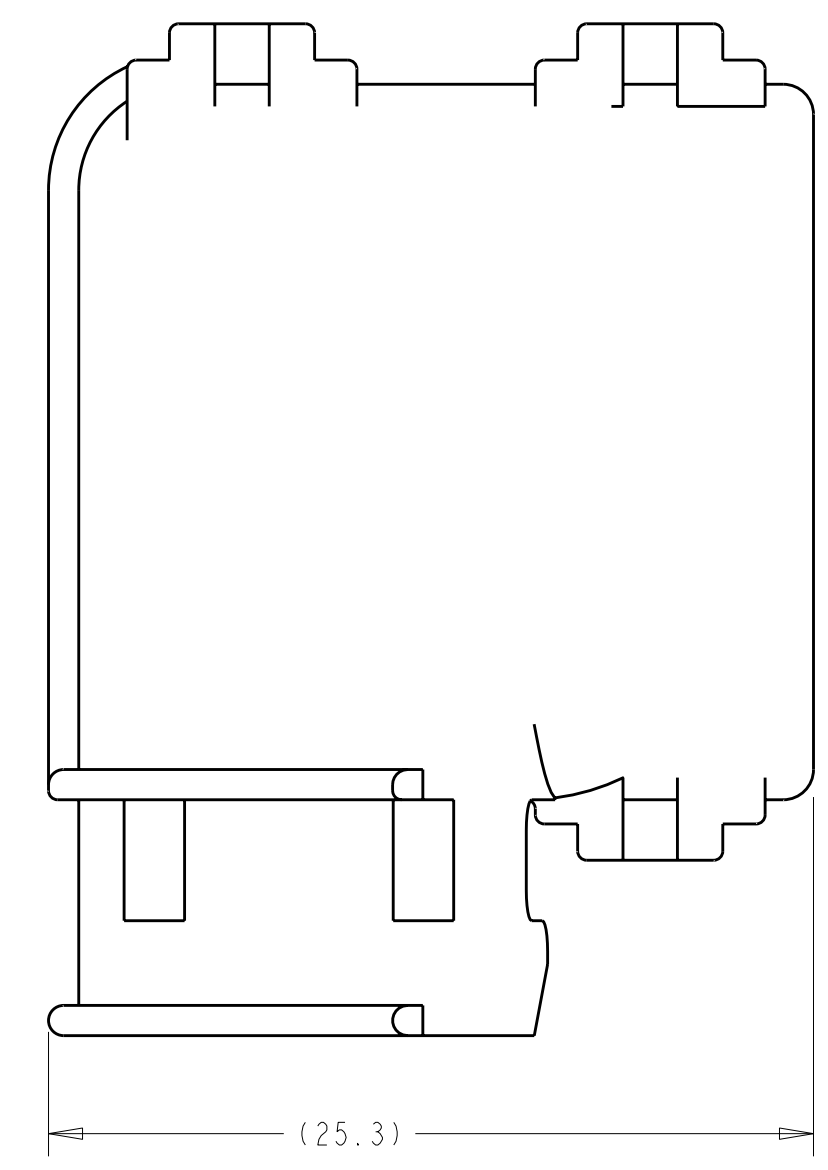
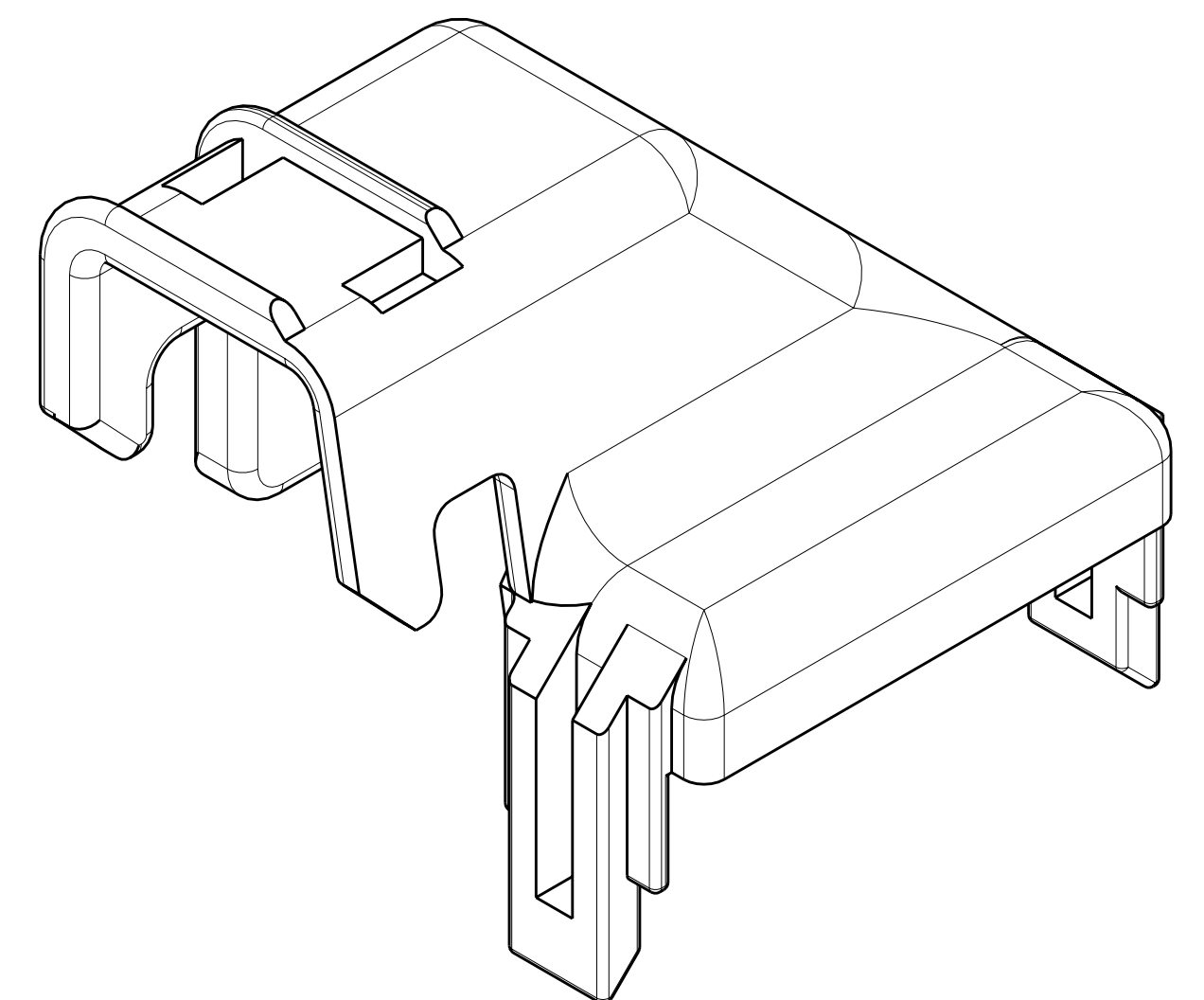
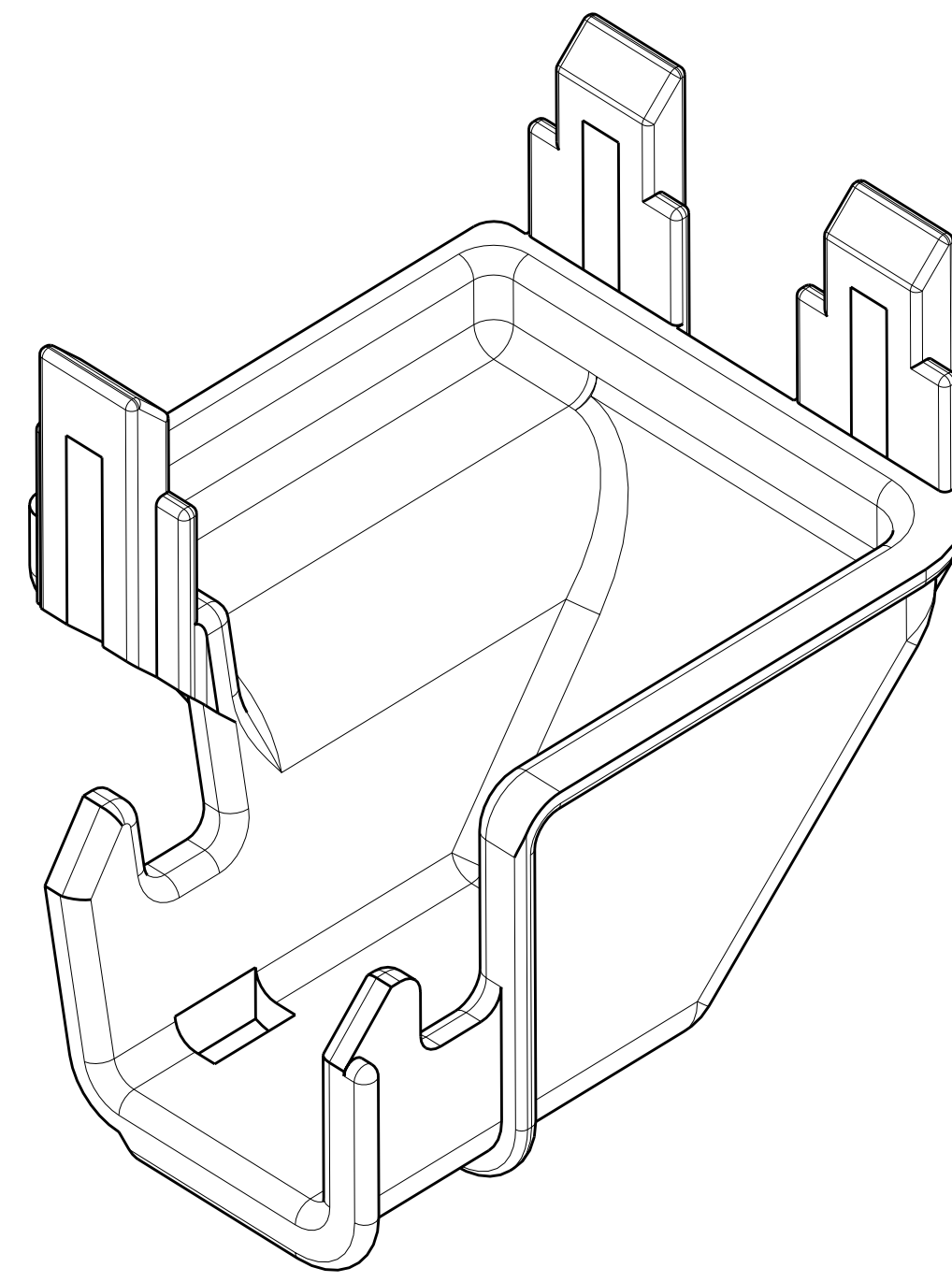


LOC	DIST	REVISIONS			
P	LTB	DESCRIPTION	DATE	DWN	APVD
FX	00	A	INITIAL RELEASE PER D08-093	14JUL2008	RGV WTW



SECTION A-A

- 1. MATERIAL: POLYPROPYLENE
COLOR: BLACK
- 2. MOLD FORD LOGO, PART NUMBER, CAVITY I.D. AND MATERIAL RECYCLING CODE LOCATED ON THIS SURFACE. FOR ALTERNATE PART NUMBERS AND/OR LOGOS CONTACT TYCO ELECTRONICS PRODUCT ENGINEER.
- 3. 25% MAXIMUM REGRIND.

>PP<		BLACK	IFIT-14N003-CA	7-1419157-8
MATERIAL	COLOR	CUSTOMER PART NO	PART NO	
DWN: R. VESTAL 14JUL2008		Tyco Electronics Harrisburg, PA 17105-3608		
CHK: W. WELLINSKY 14JUL2008		NAME: 24 WAY AIRBAG WIRE SHIELD		
APVD: W. WELLINSKY 14JUL2008		PRODUCT SPEC: -		
APPLICATION SPEC: -		SIZE: CAGE CODE: DRAWING NO: RESTRICTED TO: -		
MATERIAL: -		WEIGHT: 1.96 g	A 00779 C=7-1419157-8	
FINISH: -		CUSTOMER DRAWING		
DIMENSIONS:		TOLERANCES UNLESS OTHERWISE SPECIFIED:		
mm	0 PLC ±	1 PLC ±		
	2 PLC ±	3 PLC ±		
	4 PLC ±	ANGLES ±		
	FINISH	SCALE: 4:1 SHEET 1 OF 1 REV A		