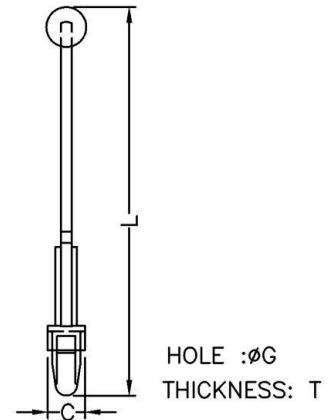
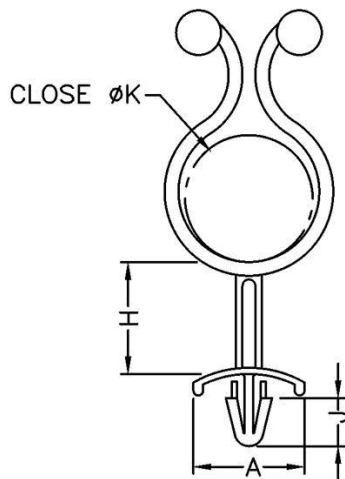


520405000



A	C	G	H	J	K	L	T
16.0mm	5.9mm	$\varnothing 4.8 - 5.0\text{mm}$	3.0mm	7.3mm	$\varnothing 13.8\text{mm}$	42.0mm	0.8 - 3.0mm

520405000

Material: Nylon 6.6 UL94 V-2

SNAP-IN CABLE TWISTER

Colour: natural

Drawn	Last Update
Mark Wirth	Mark Wirth
2014-05-12	2014-05-12

Würth Elektronik eiSos GmbH & Co KG
D – 74638 Waldenburg
Max-Eyth-Straße 1
Tel.: 0049 7942-945-0 / Fax: 0049 7942-945-400
www.we-online.de