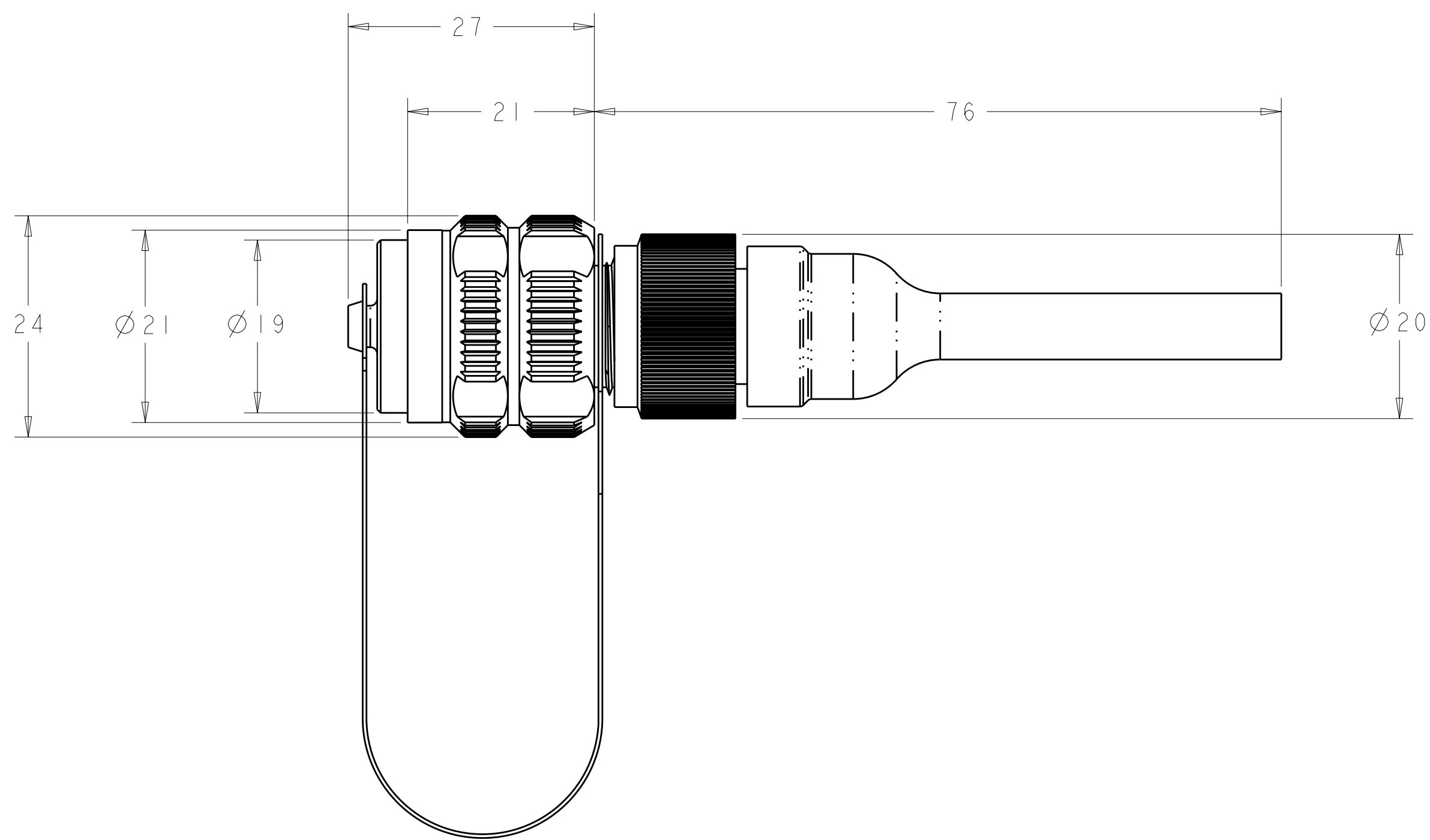
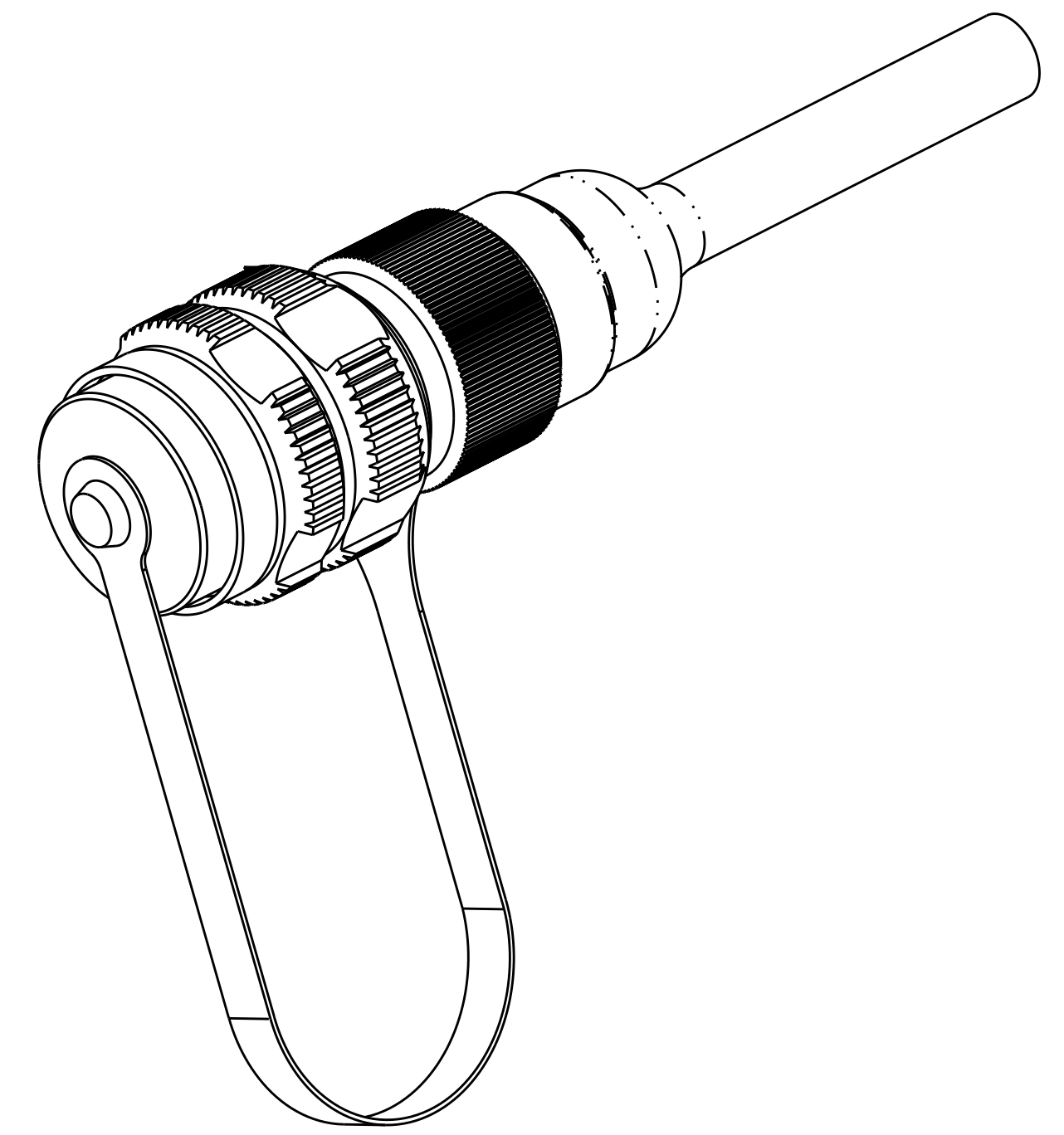


THIS DRAWING IS UNPUBLISHED. RELEASED FOR PUBLICATION 20
 © COPYRIGHT 20 BY TYCO ELECTRONICS CORPORATION. ALL RIGHTS RESERVED.

LOC	DIST	REVISIONS					
		P	LTR	DESCRIPTION	DATE	DWN	APVD
CE	16		D	ECR-07-001864	06MAR07	KG	DW
			E	ECR-07-025776	16NOV07	KG	DW
			F	ECR-09-018342	01SEP2009	KG	DW
			FI	ECR-10-002629	09FEB2010	KG	DW

- ASSEMBLY SHOWN FOR REFERENCE ONLY. SHIPPED LOOSEPIECE AS SHOWN ON PAGE 2.
- ALL ASSEMBLY DIMENSIONS ARE FOR REFERENCE ONLY.
- THIS PRODUCT HAS NOT COMPLETED VALIDATION TESTING.
- USE WITH 1.8mm DIAMETER INDIVIDUALLY JACKETED AVIONICS CABLE, FOUR CABLES MAXIMUM.
- COMPLETE THE CONNECTOR ASSEMBLY BY ADDING EACH OF THE FOLLOWING:
 - TYCO ELECTRONICS MINI EXPANDED BEAM INSERT ASSEMBLY;
 - MINI EXPANDED BEAM FERRULE KIT, ONE PER FIBER.



E-KEY, OLIVE DRAB	1-1754518-2
D-KEY, OLIVE DRAB	1-1754518-1
C-KEY, OLIVE DRAB	1-1754518-0
B-KEY, OLIVE DRAB	1754518-9
A-KEY, OLIVE DRAB	1754518-8
N-KEY, OLIVE DRAB	1754518-7
SUPERSEDED BY: 6754518-6	E KEY, NI PLATE 1754518-6
SUPERSEDED BY: 6754518-5	D KEY, NI PLATE 1754518-5
SUPERSEDED BY: 6754518-4	C KEY, NI PLATE 1754518-4
SUPERSEDED BY: 6754518-3	B KEY, NI PLATE 1754518-3
SUPERSEDED BY: 6754518-2	A KEY, NI PLATE 1754518-2
SUPERSEDED BY: 6754518-1	N KEY, NI PLATE 1754518-1
DESCRIPTION	PART NUMBER

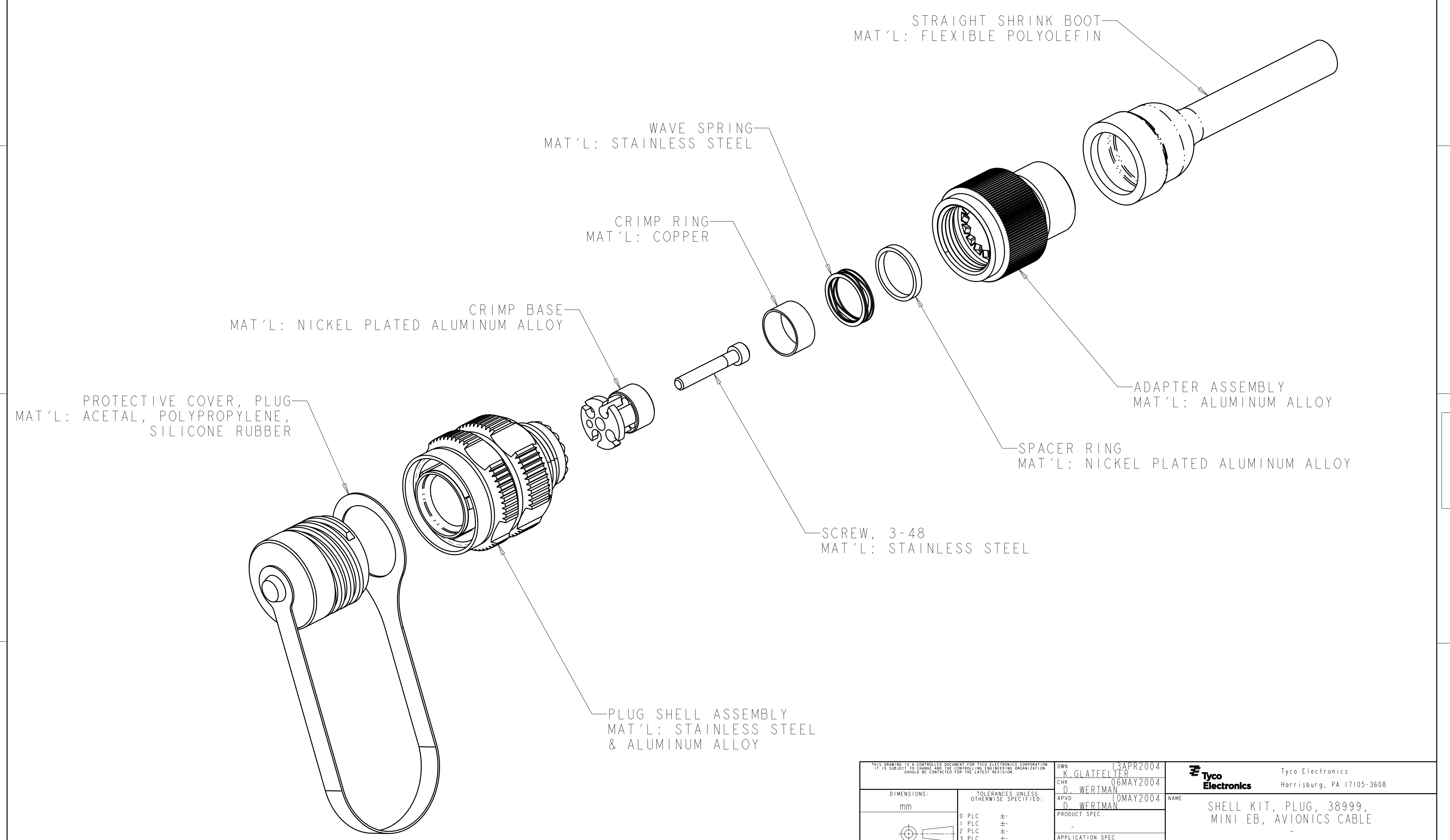
THIS DRAWING IS A CONTROLLED DOCUMENT FOR TYCO ELECTRONICS CORPORATION. IT IS SUBJECT TO CHANGE AND THE CONTROLLING ENGINEERING ORGANIZATION SHOULD BE CONTACTED FOR THE LATEST REVISION.

DIMENSIONS:	TOLERANCES UNLESS OTHERWISE SPECIFIED:	DWN	13APR2004	Tyco Electronics Harrisburg, PA 17105-3608
mm	0 PLC ± 1 PLC ± 2 PLC ± 3 PLC ± 4 PLC ±	CHK	06MAY2004	
	ANGLES ±	APVD	10MAY2004	
MATERIAL	FINISH	PRODUCT SPEC		
-	AS LISTED	APPLICATION SPEC		NAME SHELL KIT, PLUG, 38999, MINI EB, AVIONICS CABLE
		WEIGHT		SIZE A2 CAGE CODE 00779 DRAWING NO. 1754518 RESTRICTED TO
		CUSTOMER DRAWING	SCALE 2:1	SHEET 1 OF 2 REV FI

THIS DRAWING IS UNPUBLISHED. RELEASED FOR PUBLICATION 20
 © COPYRIGHT 20 BY TYCO ELECTRONICS CORPORATION. ALL RIGHTS RESERVED.

LOC		DIST		REVISIONS			
P	LTR	DESCRIPTION	DATE	DWN	APVD		
-	-	SEE SHEET 1	-	-	-		

1. SHIPPED LOOSE PIECE AS SHOWN.



<small>THIS DRAWING IS A CONTROLLED DOCUMENT FOR TYCO ELECTRONICS CORPORATION IT IS SUBJECT TO CHANGE AND THE CONTROLLING ENGINEERING ORGANIZATION SHOULD BE CONTACTED FOR THE LATEST REVISION.</small>		DWN K. GLATFELTER CHK D. WERTMAN APVD D. WERTMAN	13APR2004 06MAY2004 10MAY2004	Tyco Electronics Harrisburg, PA 17105-3608
DIMENSIONS: mm 	TOLERANCES UNLESS OTHERWISE SPECIFIED: 0 PLC ± 1 PLC ± 2 PLC ± 3 PLC ± 4 PLC ± ANGLES ± FINISH	PRODUCT SPEC - APPLICATION SPEC - WEIGHT -	NAME SHELL KIT, PLUG, 38999, MINI EB, AVIONICS CABLE SIZE A2 CAGE CODE 00779 DRAWING NO C-1754518 RESTRICTED TO -	CUSTOMER DRAWING SCALE 2:1 SHEET 2 OF 2 REV F1