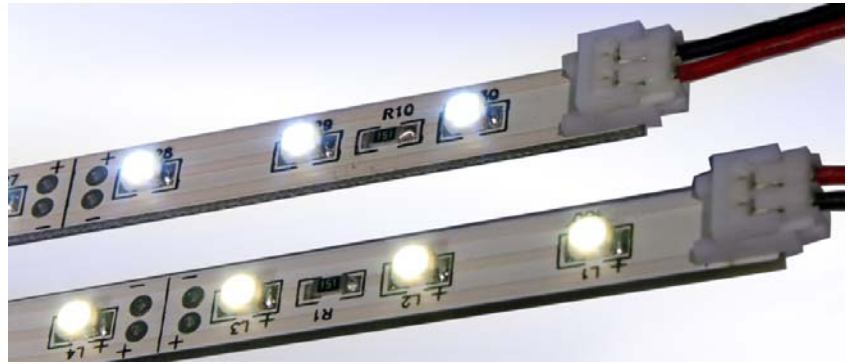


8mm X 480mm LED LIGHT BAR

Features

VOLTAGE: 12V DC
 CURRENT: 200mA
 LED VIEW ANGLE (2 θ 1/2): 120°
 30 LED'S PER BAR



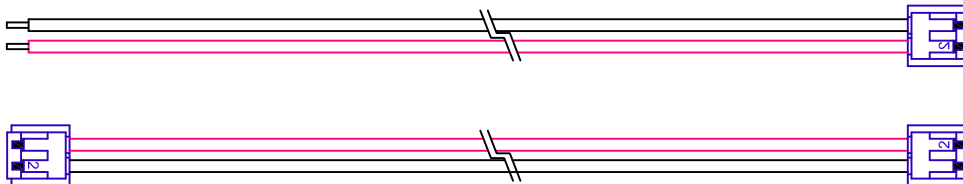
Maximum Ratings

Parameter	Symbol	Rating	Units
Forward Current	IF	200	mA
Power Dissipation	PD	2.4	W
Electrostatic Discharge	ESD	800	V
Operating Temperature	Topr	-25~+60	°C
Storage Temperature	Tstg	-40~+80	°C

Accessories

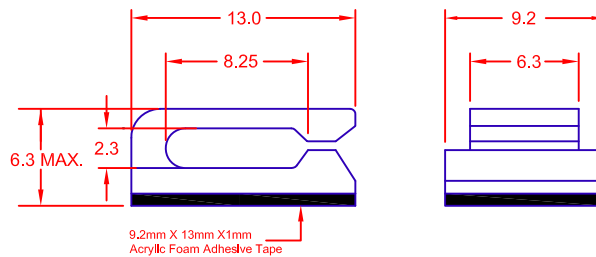
ZPS-1220 12V, 20 Watt Power Supply
 ZPS-1225 12V, 25 Watt Power Supply
 ZPS-1235 12V, 35 Watt Power Supply
 ZPS-1260 12V, 60 Watts Power Supply
 ZDM-01 PWM LED Dimmer
 Note: ZPS-1220, ZPS-1235 and ZPS-1260 require use of wire nuts for connections.

Mating Components



ZCH-200-I:
Solderless Input Connector

 ZCH-101-J
Solderless Joiner Connector



ZRC-8B
Mounting Clip

ATTENTION



OBSERVE PRECAUTION FOR HANDLING ELECTROSTATIC DISCHARGE SENSITIVE DEVICES

NOTE: Please refer to JKL Application Sheet JKL-AS-ZRS-LED-BARS for Installation and Power Recommendations.

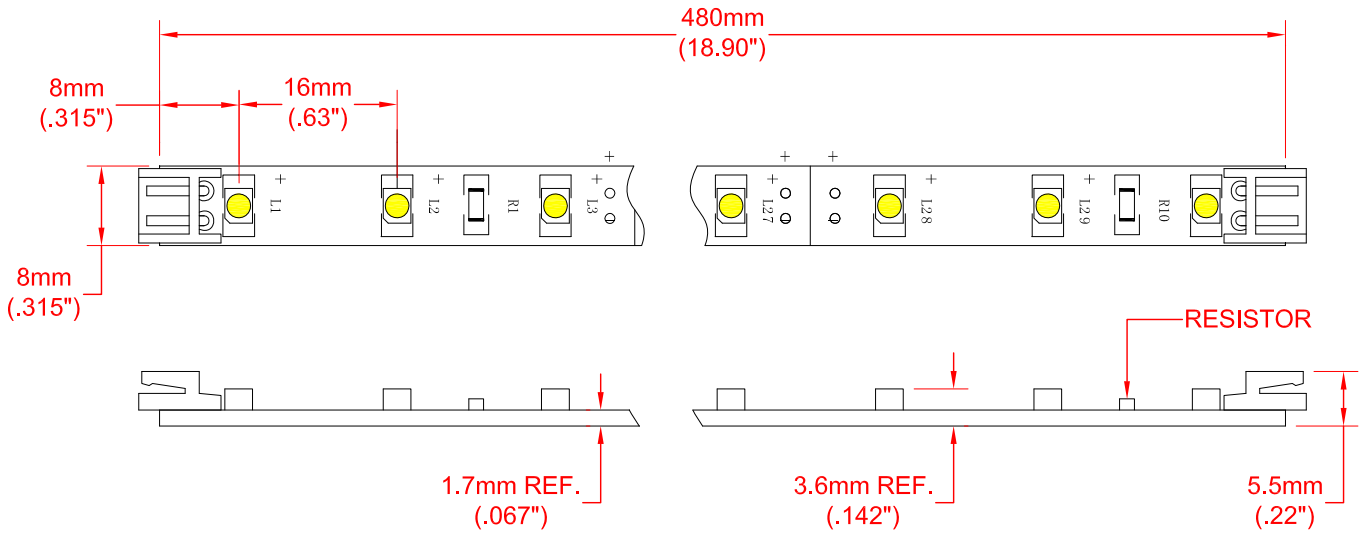
JKL PART NO.: ZRS-8480 MULTI

METRIC THIRD ANGLE PROJECTION		DIMENSIONS ARE IN MILLIMETER (INCH) TOLERANCE UNLESS OTHERWISE SPECIFIED 1 PL +/- REF. 2 PL +/- ANGLE +/-		JKL COMPONENTS CORPORATION					
DRAWN BY L. WENGSTROM		APPV'D BY DATE S.C. 6/2/14		SIZE A		FSCM NO. 55335		DRAWING NO. ZRS-8480 MULTI	
CHANGE MOUNTING CLIP PART NO.		6/2/14		SCALE NONE		RELEASED DATE 9/12/11		REVISION DATE 6/2/14	
RELEASE		9/12/11		REV. NO. A		SHEET 1 OF 2			
- CAD DRAWING - MANUAL REVISIONS NOT PERMITTED									

REV. NO.	DESCRIPTION/ECO NUMBER	APPV'D DATE
A	CHANGE MOUNTING CLIP PART NO.	6/2/14
	RELEASE	9/12/11

8mm X 480mm LED LIGHT BAR

Dimensions



Electro-Optical Characteristics (Ta = 25°C)

JKL Part Number	Color	Number of LED's	Input Voltage (V DC)	Power (W)	Current (mA)	Radiance Angle	CCT (K)	Lumen Flux (lm)
ZRS-8480-CW	Cool White	30	12	2.4	200	120°	6000	90
ZRS-8480-NW	Neutral White	30	12	2.4	200	120°	4100	84
ZRS-8480-WW	Warm White	30	12	2.4	200	120°	3050	70

Circuit Diagram

