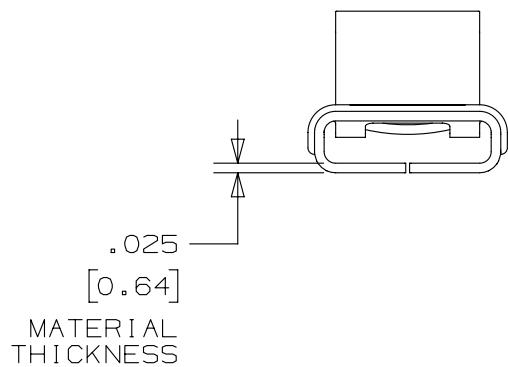
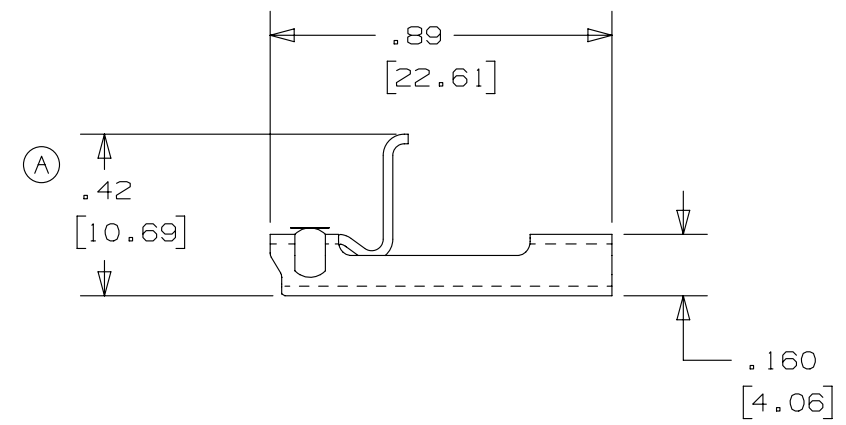
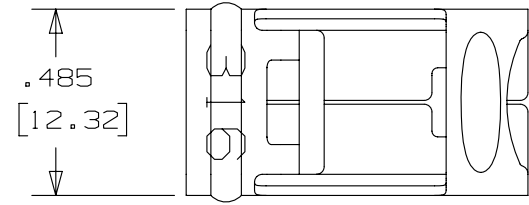


THIS COPY IS PROVIDED ON A RESTRICTED BASIS AND IS NOT TO BE USED IN ANY WAY DETRIMENTAL TO THE INTERESTS OF PANDUIT CORP.

ⓑ

- NOTES: 1. FOR USE WITH PANDUIT, MSW38T15-CR4 & MSW38T15-CR6 CONTINUOUS STRAPPING.
2. APPLICATION TOOL: BT2MS75, BT2HT
3. DIMENSIONS IN BRACKETS [] ARE IN MILLIMETERS
4. UNLESS OTHERWISE SPECIFIED TOLERANCES ARE:
 .XX = ±.02 [.5]
 .XXX = ±.010 [.25]
5. MATERIAL: 304 OR 316 STAINLESS STEEL



REV	DATE	BY	CHK	APR	DESCRIPTION	ECN
04A	3/13	JAMB	MIM	RGRO	UPDATE DRAWING TO NEW GLOBAL PANDUIT TITLE BLOCK WITH PANDUIT LOGO	SSECN01042
03A	10/08	JAMB	SKB	JJB	ORIG CAD FILE SPEC WAS S41147_03. NOTE 2: APPLICATION TOOL BT1HT REPLACED BY BT2HT	-----
03	10/04	JAMB	EJD	JJB	Ⓒ STRAPPING PART NO'S. IN TITLE BLOCK CHANGED TO BUCKLE PART NO'S. DUE TO A TYPING ERROR	12067
02	9/04	JAMB	EJD	JJB	ⓑ VOIDED PART NO'S. MS375X15-TSR & MS375X15-TSR316 & REPLACED BY PART NO'S. MSW38T15-CR4 & MSW38T15-CR6 ON NOTE 1	12052
01	3/04	BRH	EJD	JJB	Ⓐ CHANGED TO .42", WAS .43"	11500
00	9/03	BRH	EJD	JJB	DRAWING RELEASED	11154

TITLE .375 in [9.52] ENHANCED METAL STRAPPING BUCKLE Ⓒ MSBW38-C4 & MSBW38-C6		CUSTOMER DRAWING	
ITEM REVISION NAME N41147BS/04		PANDUIT	
DATASET FILE NAME N41147BS_DC/04A			
UNLESS OTHERWISE SPECIFIED, DIMENSIONAL TOLERANCES ARE: IN [mm] .x ± .1 [2.54] .xxx ± .005 [.127] .xx ± .01 [.25] ANGLES ± 5 °		MATERIAL: SEE NOTES	
THIRD ANGLE PROJECTION		DRAWING NUMBER: N41147BS_DC	
DRAWN BY BRH	DATE 9/03	CHK EJD	SCALE 2:1
SHT 1 OF 1		SIZE A	