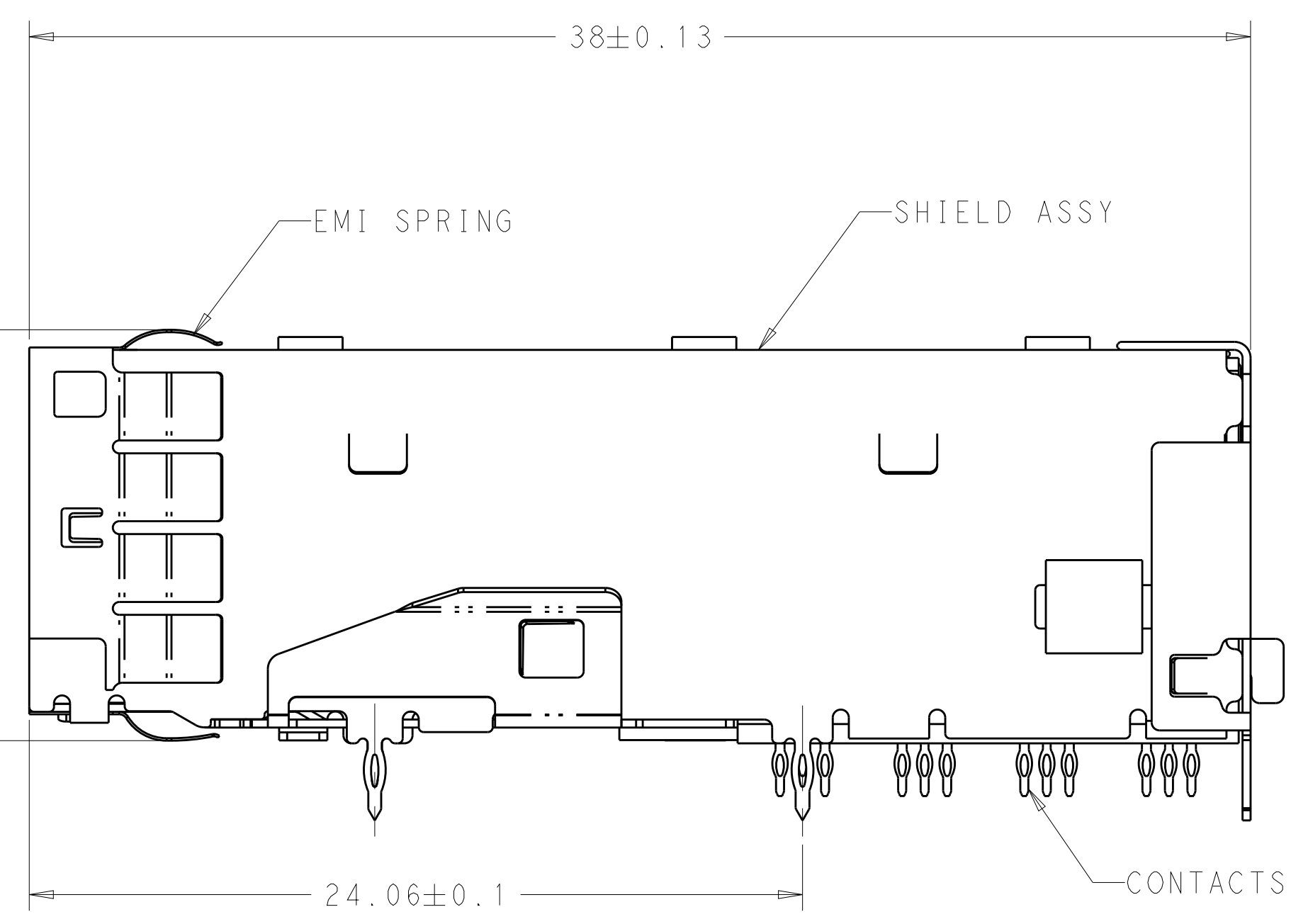
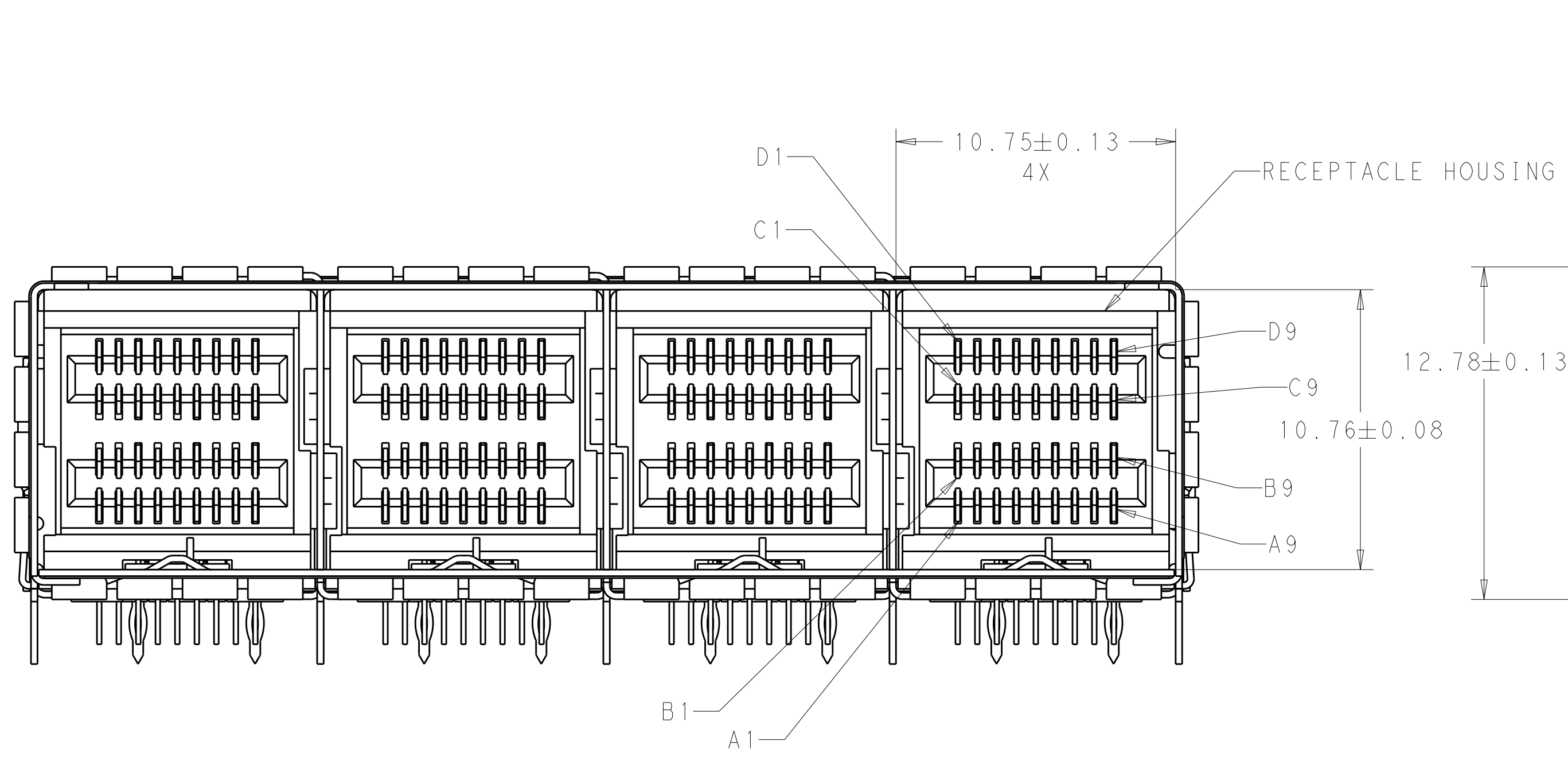
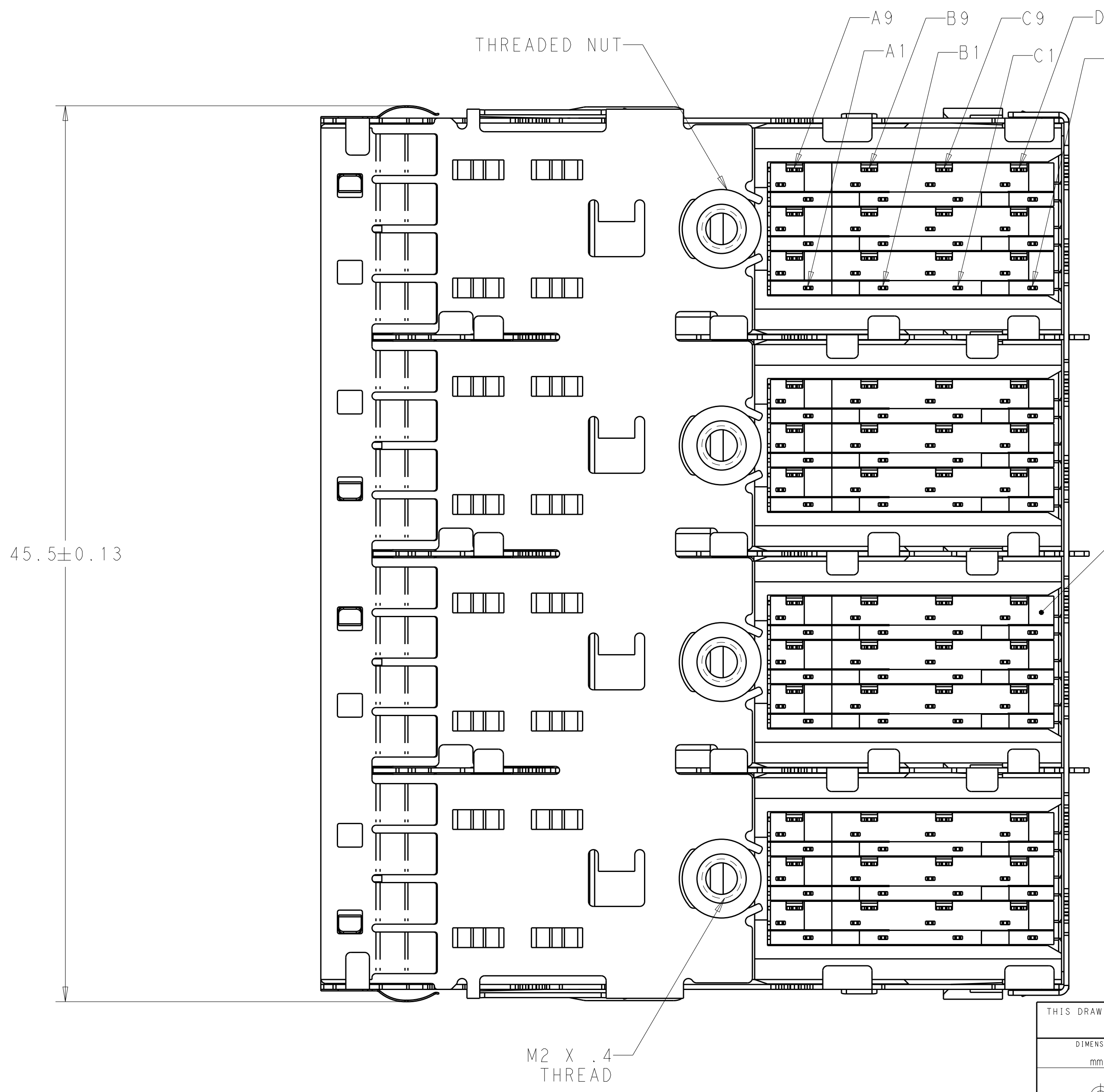


LOC	DIST	REVISIONS					
		P	LTN	DESCRIPTION	DATE	DWN	APVD
AG	00	10		REVISED	21DEC2012	MEC	JS



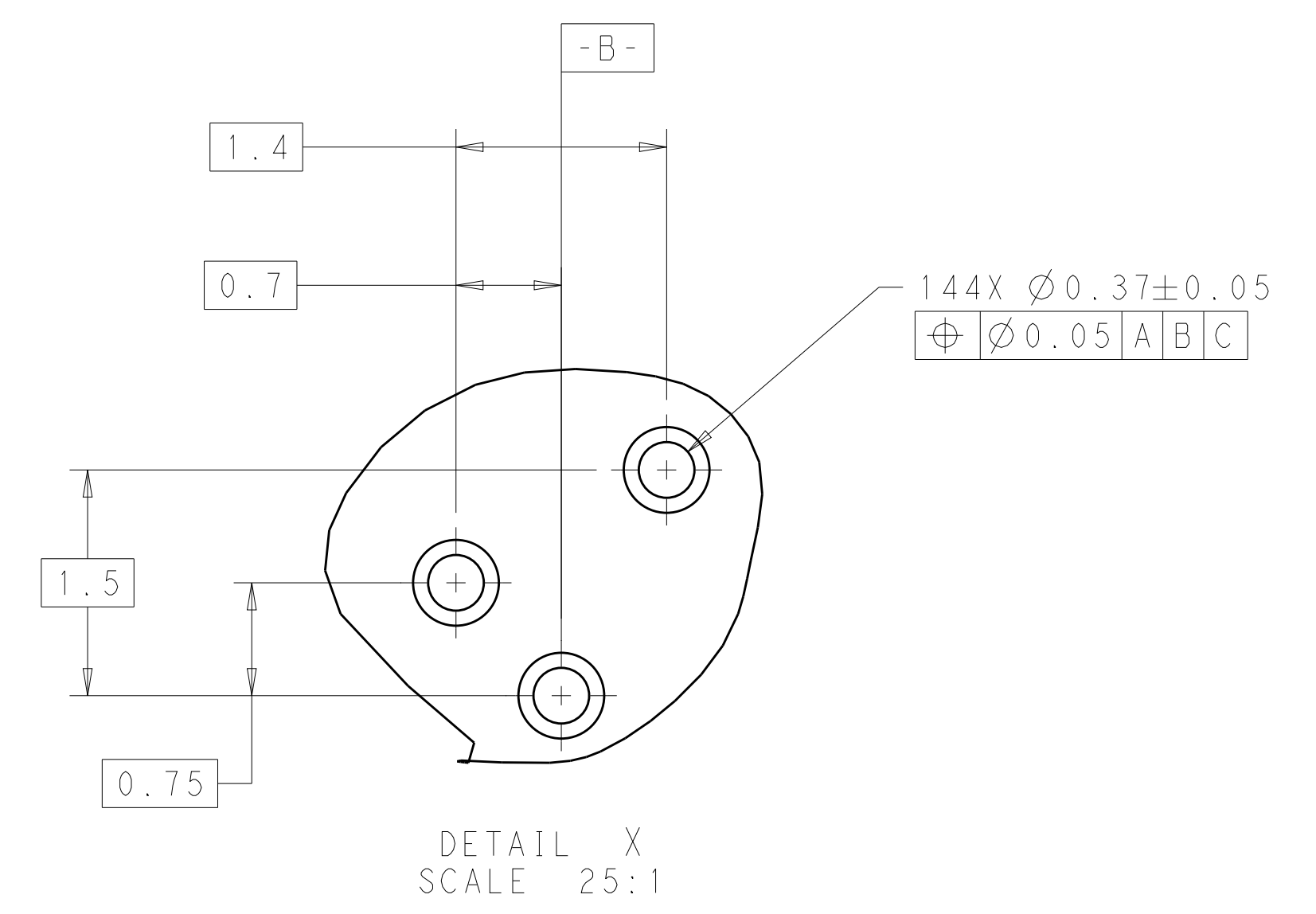
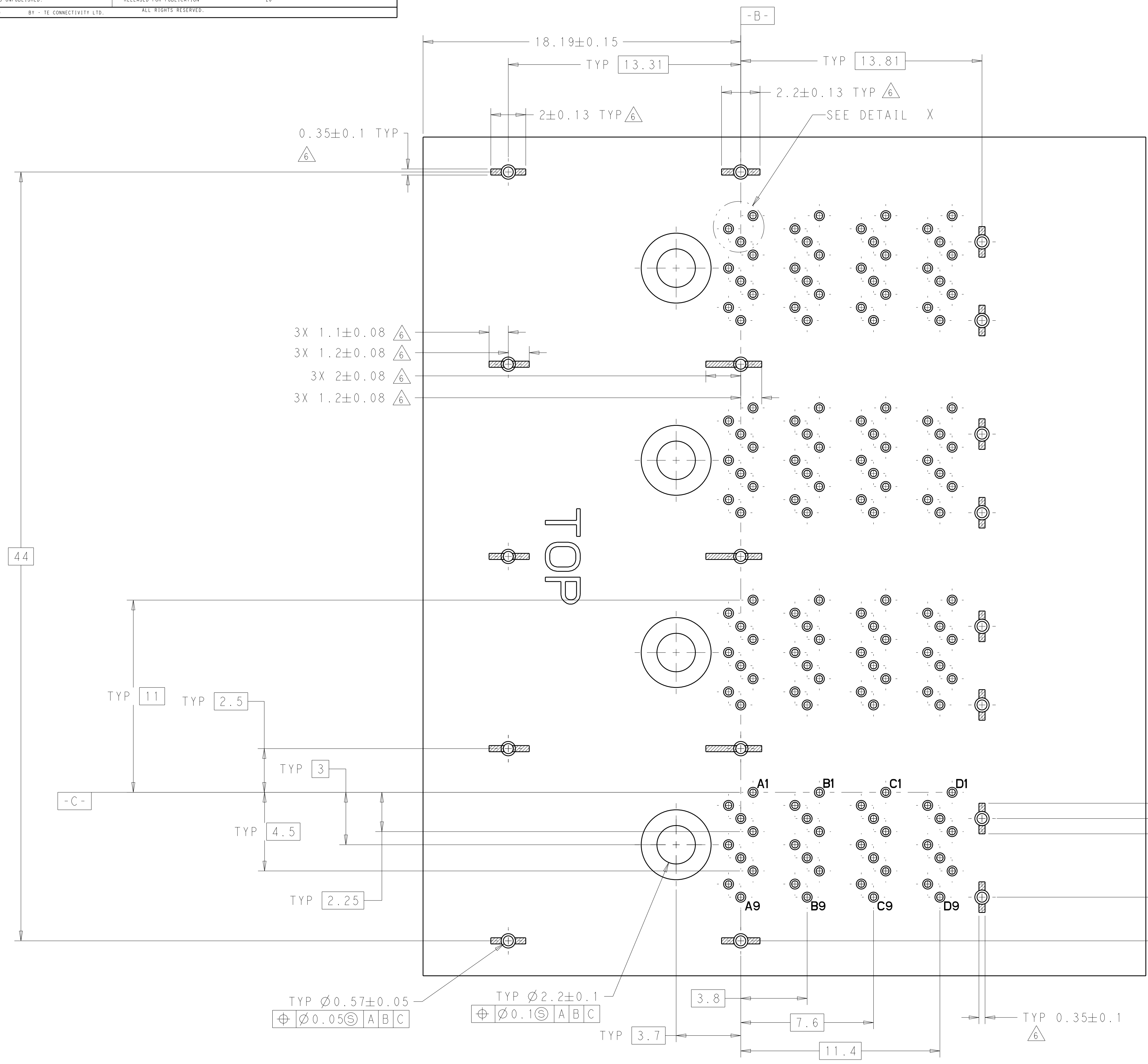
1. MATERIALS  
 RECEPTACLE HOUSING, LCP, BLACK, UL94V-0 RATED  
 SHIELD ASSY: NICKEL SILVER COPPER ALLOY  
 CONTACTS: COPPER ALLOY  
 EMI SPRING: COPPER ALLOY  
 THREADED NUT: BRASS  
 CHICKLETS: LCP, BLACK, UL 94V-0 RATED
2. FINISH  
 EMI SPRING: TIN PLATE OVER NICKEL PLATE  
 NON-PLATED EDGES PERMISSABLE  
 THREADED NUT: NICKEL PLATE
3. CONTACT FINISH: CONFORMS TO THE REQUIREMENTS OF TE PRODUCT SPECIFICATION, 108-2462. BASED ON EIA/ECA-364-1000.01A. (CONTROLLED ENVIRONMENT APPLICATIONS) ON MATING END. TIN PLATED ON PCB TAIL
4. THREAD LENGTH OF FASTENER = PCB THICKNESS+1.45 MAX
5. THIS PRODUCT HAS NOT COMPLETED VALIDATION/QUALIFICATION TESTING
6. RECOMMENDED TRACE KEEP OUT ZONE



2149375-1  
PART NUMBER

THIS DRAWING IS A CONTROLLED DOCUMENT.		DWN P. KERLIN CHK J. SECHRIST	06DEC2010 06DEC2010		
DIMENSIONS:		TOLERANCES UNLESS OTHERWISE SPECIFIED:		NAME	
mm		0 PLC ±		RECEPTACLE ASSEMBLY, MINI-SAS HD, 4X	
		1 PLC ±		SIZE CAGE CODE DRAWING NO	
		2 PLC ±		A100779C=2149375	
		3 PLC ±		RESTRICTED TO	
		4 PLC ±			
		ANGLES ±			
MATERIAL		FINISH		WEIGHT	
				CUSTOMER DRAWING	
				SCALE 6:1 SHEET 1 OF 3 REV 10	

LOC		DIST		REVISIONS			
AG	00	P	LTN	DESCRIPTION	DATE	DWN	APVD
		-		SEE SHEET 1	-	-	-



TYP  $\varnothing 0.57 \pm 0.05$   
 $\oplus \varnothing 0.05 \text{ A B C}$

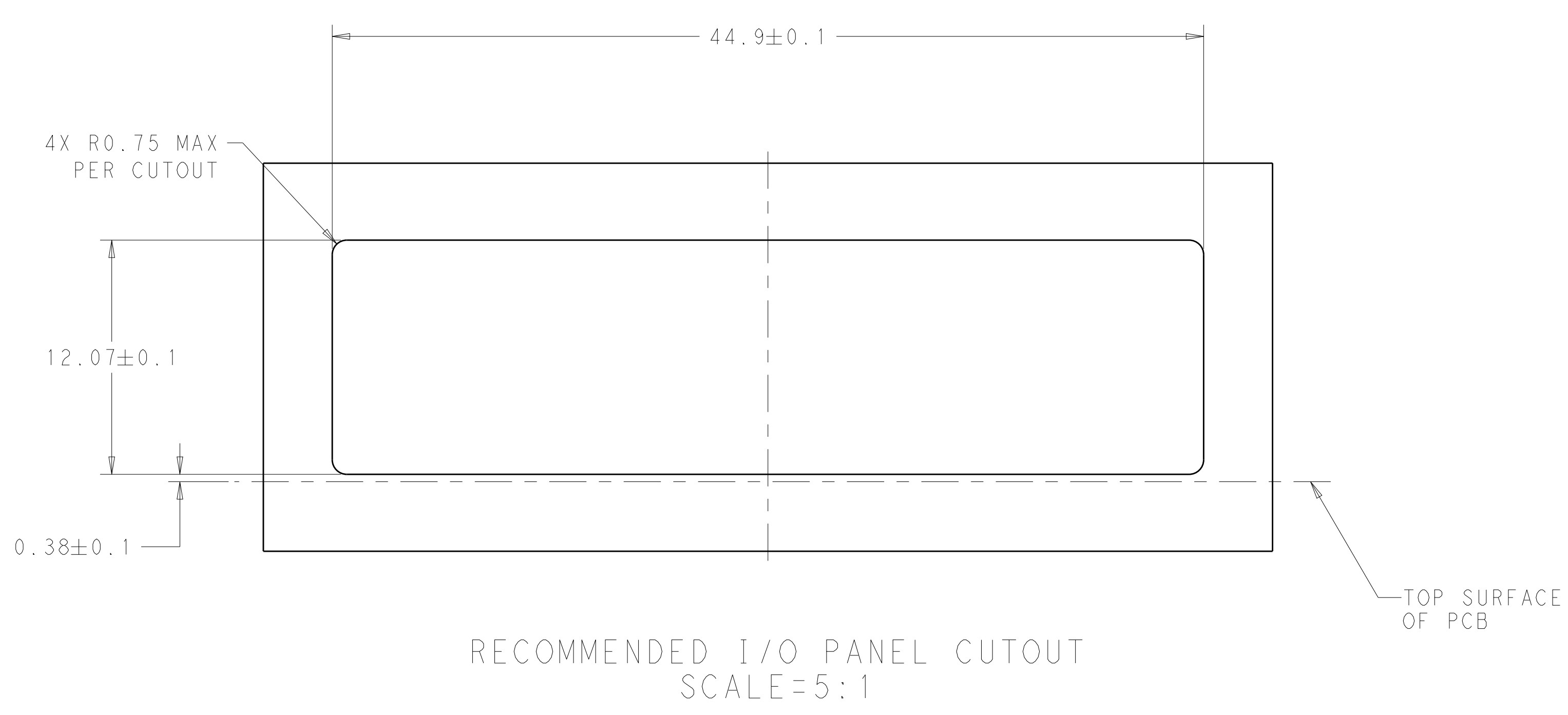
TYP  $\varnothing 2.2 \pm 0.1$   
 $\oplus \varnothing 0.1 \text{ A B C}$

144X  $\varnothing 0.37 \pm 0.05$   
 $\oplus \varnothing 0.05 \text{ A B C}$

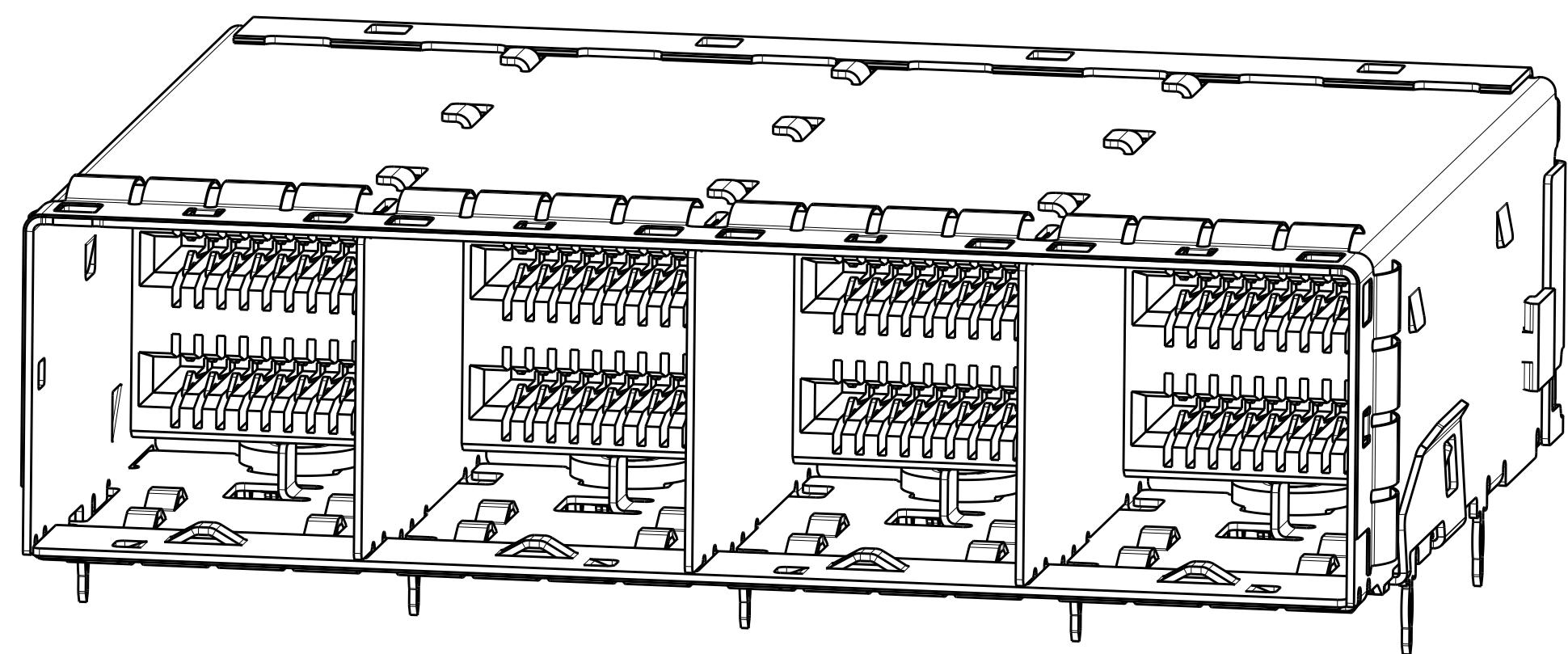
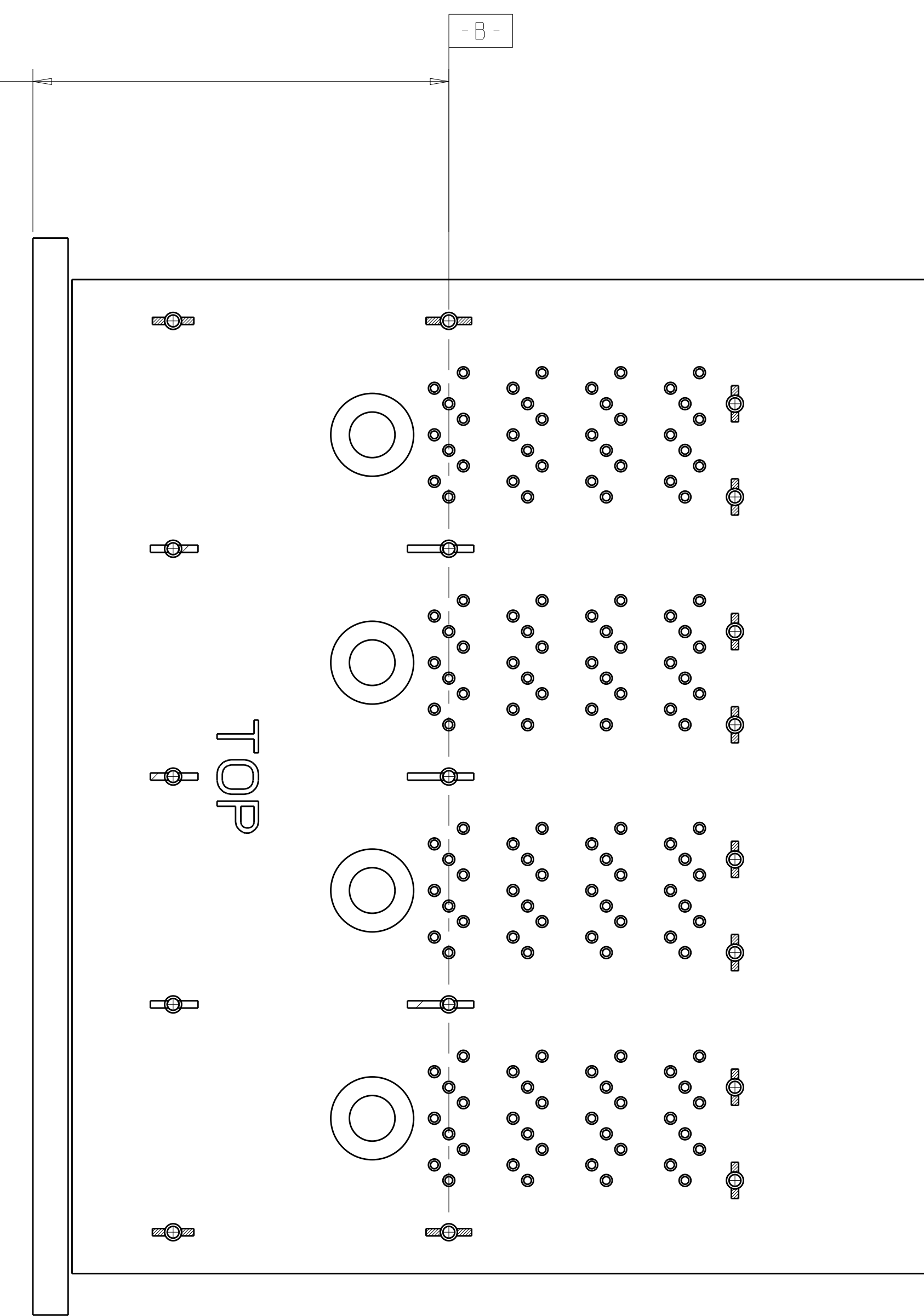
RECOMMENDED PCB LAYOUT

THIS DRAWING IS A CONTROLLED DOCUMENT.		DWN P. KERLIN 06DEC2010	TE Connectivity
DIMENSIONS: mm		CHK J. SECHRIST	
TOLERANCES UNLESS OTHERWISE SPECIFIED:		APVD -	NAME
0 PLC ±		PRODUCT SPEC	RECEPTACLE ASSEMBLY, MINI-SAS HD, 4X
1 PLC ±		108-2462	SIZE CAGE CODE DRAWING NO
2 PLC ±		APPLICATION SPEC	A100779C=2149375
3 PLC ±		114-13316	RESTRICTED TO
4 PLC ±		WEIGHT	-
ANGLES ±		CUSTOMER DRAWING	SCALE 6:1 SHEET 2 OF 3 REV 10

LOC		DIST		REVISIONS			
P	LTN	DESCRIPTION	DATE	DWN	APVD		
-	-	SEE SHEET 1	-	-	-		



19 PCI APPLICATION  
 20.08 ALL OTHER APPLICATIONS



THIS DRAWING IS A CONTROLLED DOCUMENT.		DWN P. KERLIN 06DEC2010	TE Connectivity	
DIMENSIONS:		CHK J. SECHRIST 06DEC2010	NAME	
mm	TOLERANCES UNLESS OTHERWISE SPECIFIED:	APVD	RECEPTACLE ASSEMBLY, MINI-SAS HD, 4X	
0 PLC	±	PRODUCT SPEC	SIZE CAGE CODE DRAWING NO RESTRICTED TO	
2 PLC	±	108-2462	A100779C=2149375	
3 PLC	±	APPLICATION SPEC	SCALE 6:1 SHEET 3 OF 3 REV 10	
4 PLC	±	114-13316		
ANGLES	±	WEIGHT		
MATERIAL	FINISH	CUSTOMER DRAWING		