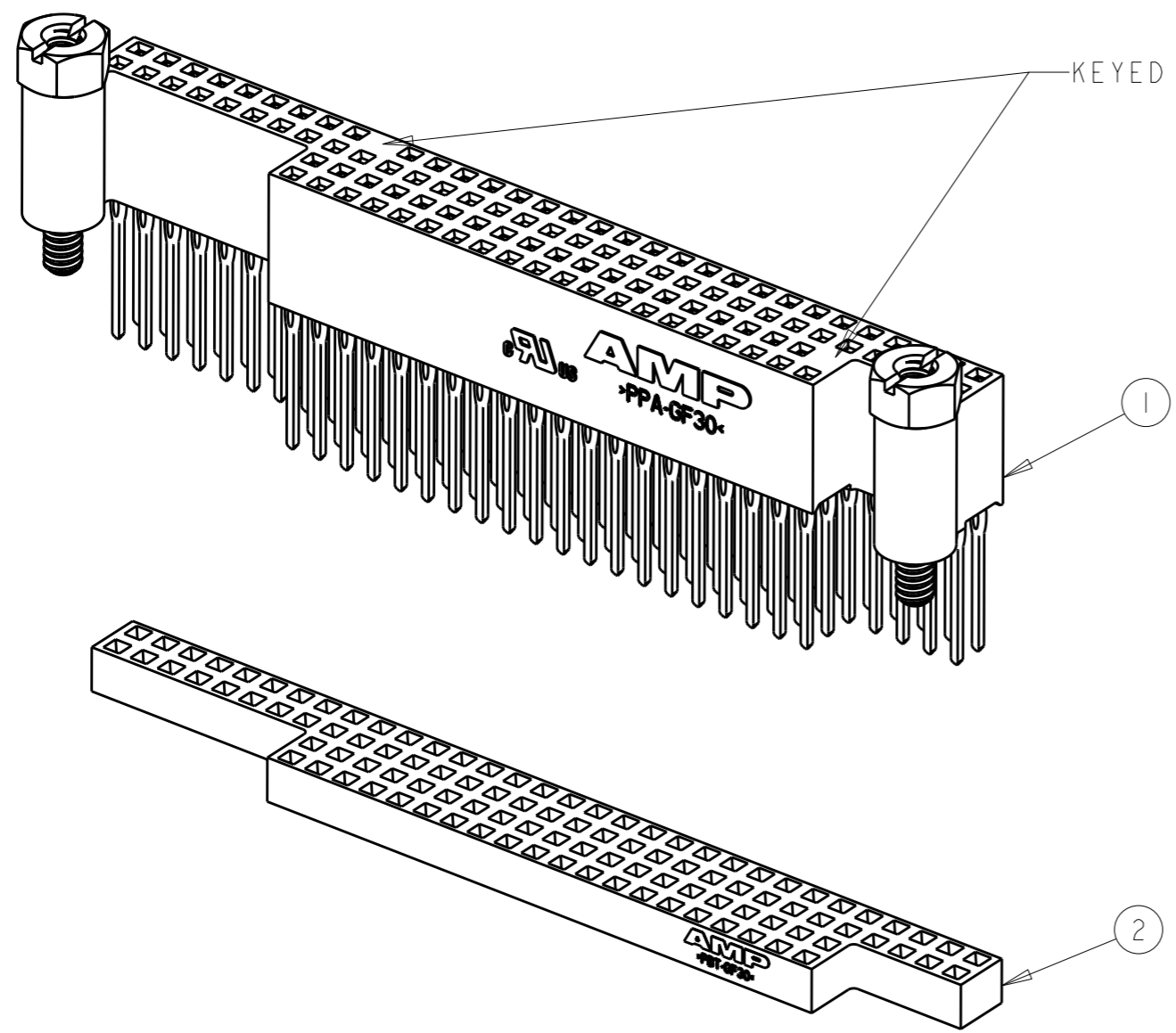


THIS DRAWING IS UNPUBLISHED. RELEASED FOR PUBLICATION 20
 © COPYRIGHT 20 BY TYCO ELECTRONICS CORPORATION. ALL RIGHTS RESERVED.

LOC	DIST	REVISIONS			
P	LTR	DESCRIPTION	DATE	DWN	APVD
AD	00	O	REV PER EC 0G3C-0183-01	13JUN2001	MB JO
		A	REV PER EC 0G3C-0313-04	25AUG2004	MB JO
		B	0G3C-0184-05	31AUG2005	RB JO
		BI	REVISED PER ECO-09-025699	08DEC2009	KK AEG



- 1. COMPONENTS BULK PACKAGED.
- 2 1445440-1 & -3 (AS SHOWN) KEYED VERSION PER PC104 SPECIFICATION.
- 3 1445440-2 & -4 UNKEYED VERSION.
- 4 ROHS 2002/95/EC COMPLIANT PART TO BE USED WITH ROHS 2002/95/EC COMPLIANT PCB'S.
- 5 OBSOLETE PARTS: OBSOLETE CIS STREAMLINING PER D.RENAUD/D.SINISI

4	3	1445251-1	1375793-4	1445440-4		
5	4	2	OBSOLETE	1445251-1	1375793-3	1445440-3
5	3	OBSOLETE	1445251-1	1375793-2	1445440-2	
5	2	OBSOLETE	1445251-1	1375793-1	1445440-1	
2	1	ORGANIZER QTY = 1	CONNECTOR ASSY QTY = 1	PART NUMBER		

<small>THIS DRAWING IS A CONTROLLED DOCUMENT FOR TYCO ELECTRONICS CORPORATION IT IS SUBJECT TO CHANGE AND THE CONTROLLING ENGINEERING ORGANIZATION SHOULD BE CONTACTED FOR THE LATEST REVISION.</small>		DWN R BROWN 29MAR2001 CHK J OLSON 29MAR2001 APVD J OLSON 29MAR2001		Tyco Electronics Corporation Harrisburg, PA 17105-3608	
DIMENSIONS: mm 		TOLERANCES UNLESS OTHERWISE SPECIFIED: 0 PLC ± 1 PLC ±0.5 2 PLC ±0.13 3 PLC ±0.013 4 PLC ±0.0001 ANGLES ±		NAME KIT, PC/104 ASSEMBLY, TWO STANDOFF W/ORGANIZER	
MATERIAL - FINISH -		PRODUCT SPEC 108-1956 APPLICATION SPEC 114-13021 WEIGHT -		SIZE A3 CAGE CODE 00779 DRAWING NO C-1445440 RESTRICTED TO -	
CUSTOMER DRAWING				SCALE 2:1 SHEET 1 OF 1 REV BI	