

MATERIALS AND FINISHES

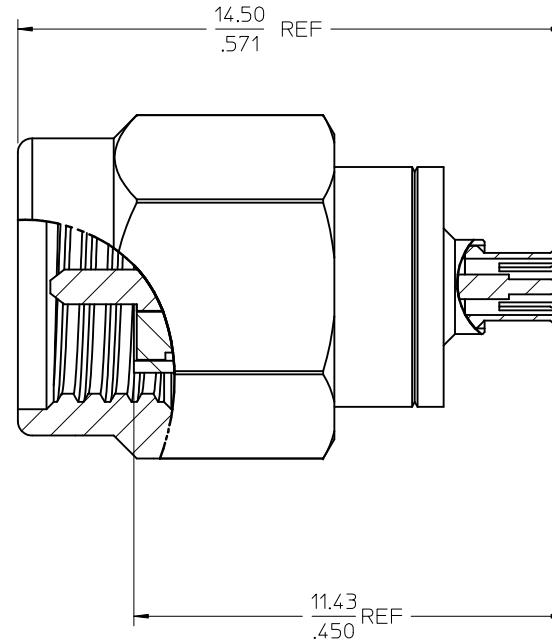
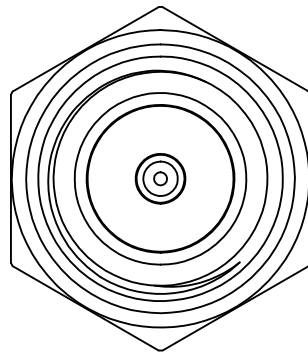
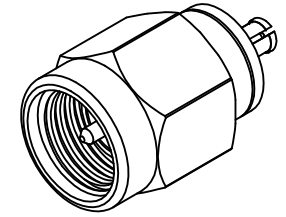
COUPLING NUT BRASS
PLATED GOLD

BODY BRASS
PLATED GOLD

CENTER CONTACT BRASS
PLATED GOLD

OUTER CONTACT BeCu
PLATED GOLD

INSULATOR TEFLON



73386-0831	73386-0830 ONE PIECE PER BAG
73386-0830	STANDARD
PART NO.	PACKAGING

ES-73599-0009-0001	INTERFACE SSMCX PLUG
MIL-STD-348A, FIG. 310.1	INTERFACE SMA PLUG
SPECIFICATION	DESCRIPTION

CHG: ADDED -0831
SINGLE BAG
EC NO: URF2011-0651
DRWN:JLEE02 2011/05/04
CHKD:SSS 2011/05/04
APPR:JWIENER 2011/05/05
REV DESCRIPTION

QUALITY SYMBOLS
▽=0
▽=0

GENERAL TOLERANCES (UNLESS SPECIFIED)

	mm	INCH
4 PLACES	± .005	± .0002
3 PLACES	± .003	± .0001
2 PLACES	± .002	± .0001
1 PLACE	± .001	± .0001

ANGULAR ± .2 °

DRAFT WHERE APPLICABLE
MUST REMAIN
WITHIN DIMENSIONS

DIMENSION STYLE
MM/IN

DRAWN BY	DATE
JOHN	2004/5/27
CHECKED BY	DATE
PAT	2004/5/27
APPROVED BY	DATE
MISEN	2005/4/27

MATERIAL NO.
SEE TABLE

SIZE
C

SCALE
DESIGN UNITS
METRIC

THIRD ANGLE PROJECTION

TITLE
SSMCX ADAPTER
SSMCX PLUG TO SMA PLUG
BSA-SSMCX/SMA

MOLEX MOLEX INCORPORATED

DOCUMENT NO.
SD-73386-083

SHEET NO.
1 OF 1

THIS DRAWING CONTAINS INFORMATION THAT IS PROPRIETARY TO MOLEX INCORPORATED AND SHOULD NOT BE USED WITHOUT WRITTEN PERMISSION