

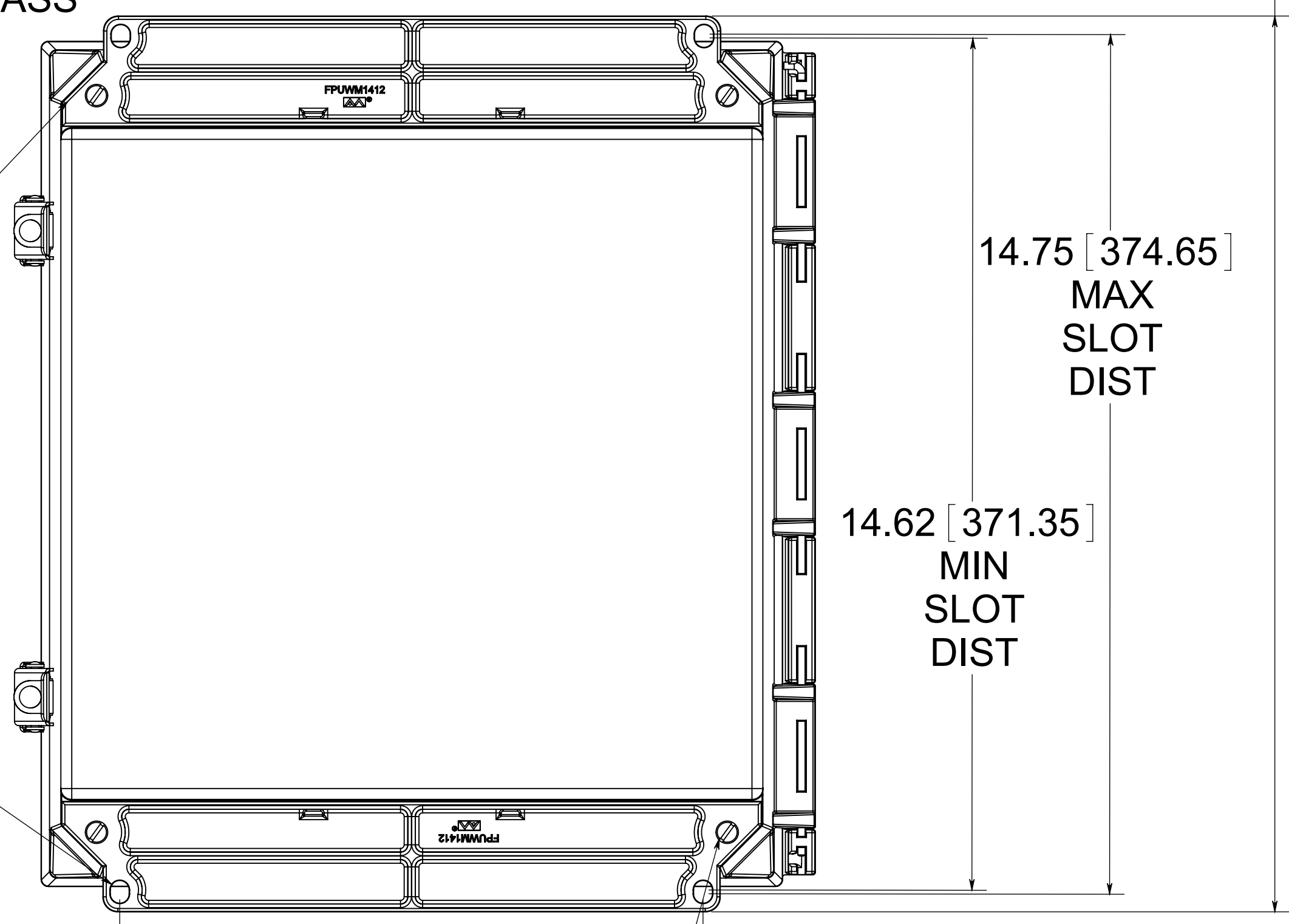
OPTIONAL BACK PANEL
 0.100 [2.54] TH'K- ALUMINUM
 0.075 [1.91] TH'K- WHITE STEEL & GALVANNEALED
 0.125 [3.18] TH'K- FIBERGLASS

(2) POLYCARBONATE FLANGES (GLUED)

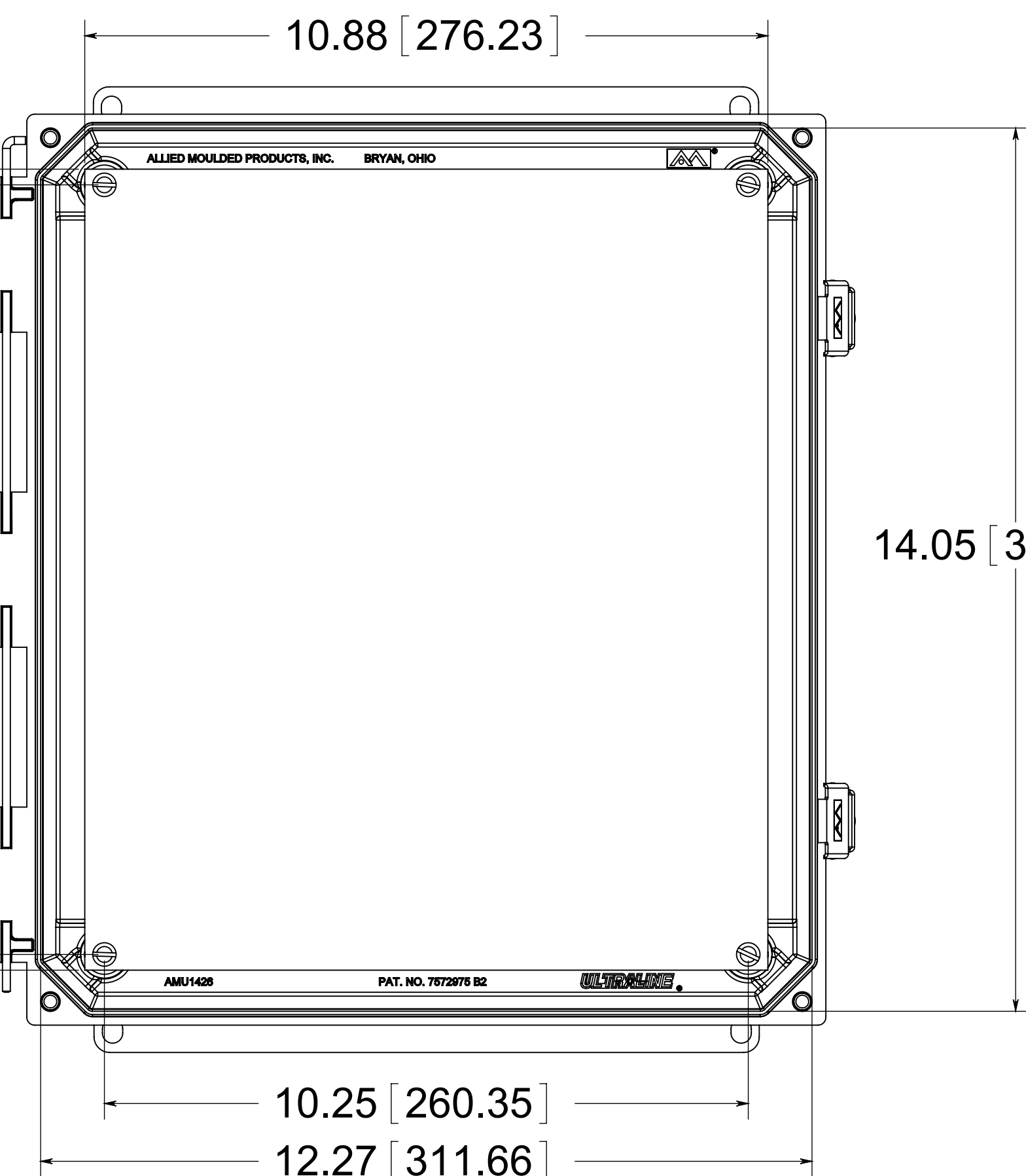
.10 [2.54]
 6.05 [153.54]

(8) R.162 [4.10]

BACK VIEW



FRONT VIEW
 WITH COVER REMOVED
 AND BACK PANEL DISPLAYED



(4) EACH #10-32 BRASS INSERTS, AND STAINLESS STEEL FLANGE AND FEET SCREWS

STAINLESS STEEL HINGE PIN

CLOSED CELL NEOPRENE GASKET

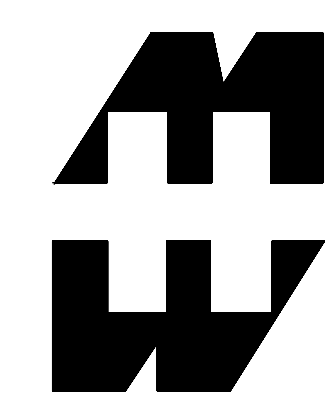
(2) STAINLESS STEEL LOCKABLE SNAP LATCHES

.13 [3.30]

(4) EACH #10-32 BRASS INSERTS AND PLATED CARBON STEEL SCREWS

MATERIAL:

BOX-COMPRESSION MOLDED FIBERGLASS REINFORCED POLYESTER
 COVER- COMPRESSION MOLDED FIBERGLASS REINFORCED POLYESTER
 CLEAR COVER AND WINDOWS- POLYCARBONATE



PART No. PJU14126CCLF
 for more information visit www.hammfg.com
 Data subject to change without notice
 Drawing Not to Scale