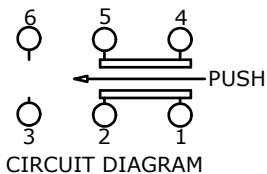


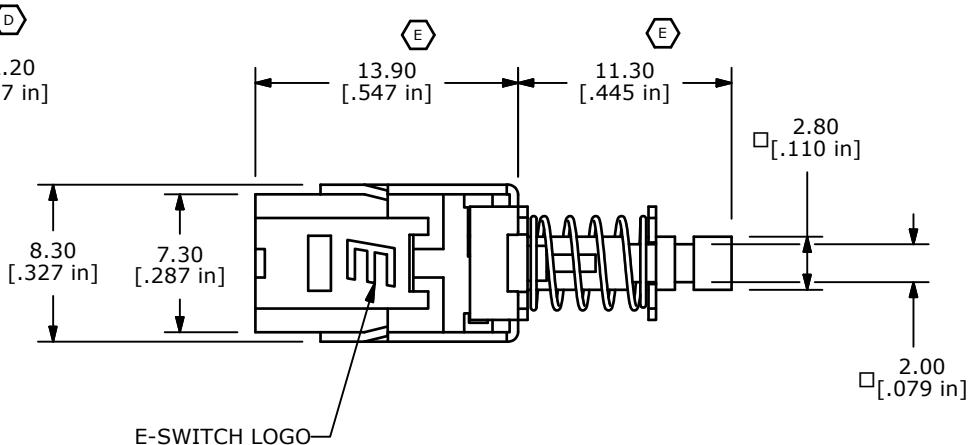
P.C.B. LAYOUT



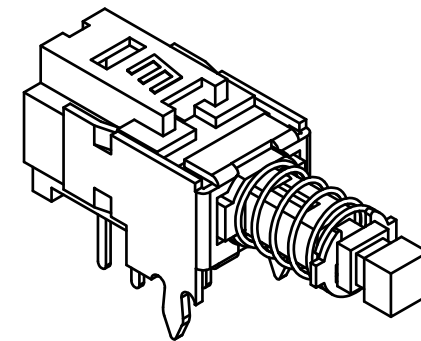
CIRCUIT DIAGRAM

NOTES:

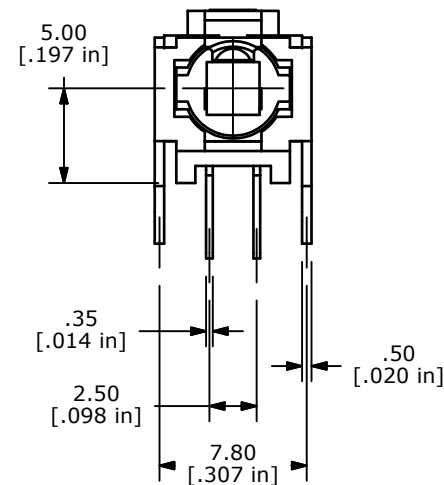
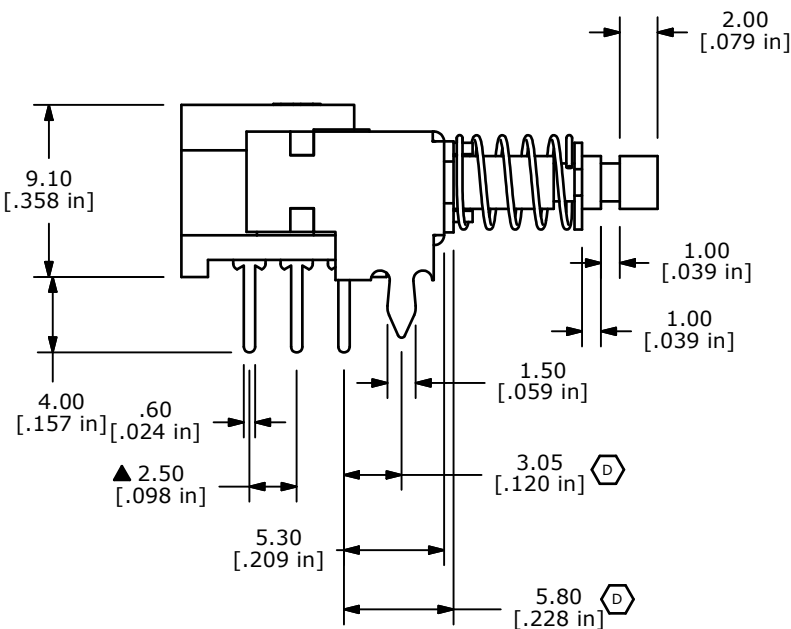
1. ALL DIMENSIONS IN MM [INCH]
2. GENERAL TOLERANCE: X.X±0.4
X.XX±0.25
3. TERM. NOS. FOR REFERENCE ONLY.
4. RATING 0.1A @30V DC
- ▲ 5. MATERIALS:
CONTACT/TERMINALS: SILVER PLATE
HOUSING: PBT UL94HB
BASE: PA66 UL94HB
ACTUATOR: POM
6. CONTACT RESISTANCE: 100 mΩ (INITIAL)
7. TIMING: NON-SHORTING
8. OPERATING FORCE: 230±50GF
- ▲ 9. TRAVEL: MOMENTARY: 3MM OVERALL
10. ELECTRICAL LIFE: 10000 CYCLES
11. OPERATING TEMP: -20°C TO +70°C
12. ▲ DENOTES CRITICAL PARAMETER.
13. 2002/95/EC (ROHS) COMPLIANT



E-SWITCH LOGO



ISOMETRIC



E	19753	CHANGE DIMENSION POINT TO BRACKET	3/10/11	BGL
D	19670	CIRCUIT DIAGRAM & DIM CHANGES	2/10/11	BGL
C	15942	MOVE KZX 0.45MM CLOSER TO SWITCH	4/4/06	BK
B	15671	ADD CRITICAL TO 2.50 DIM	1/10/06	PH
A	15287	RELEASED FOR PRODUCTION	9/16/05	PH
REV	PCR NO	DESCRIPTION	DATE	BY

THE INFORMATION CONTAINED IN THIS DOCUMENT IS PROPRIETARY TO E-SWITCH AND IS NOT TO BE COPIED OR TRANSFERRED



TITLE PBH2UOAKZXNAGX

SCALE	DATE	DR	DWG	REV
2.5:1	9/16/2005	PH	Q960011	E