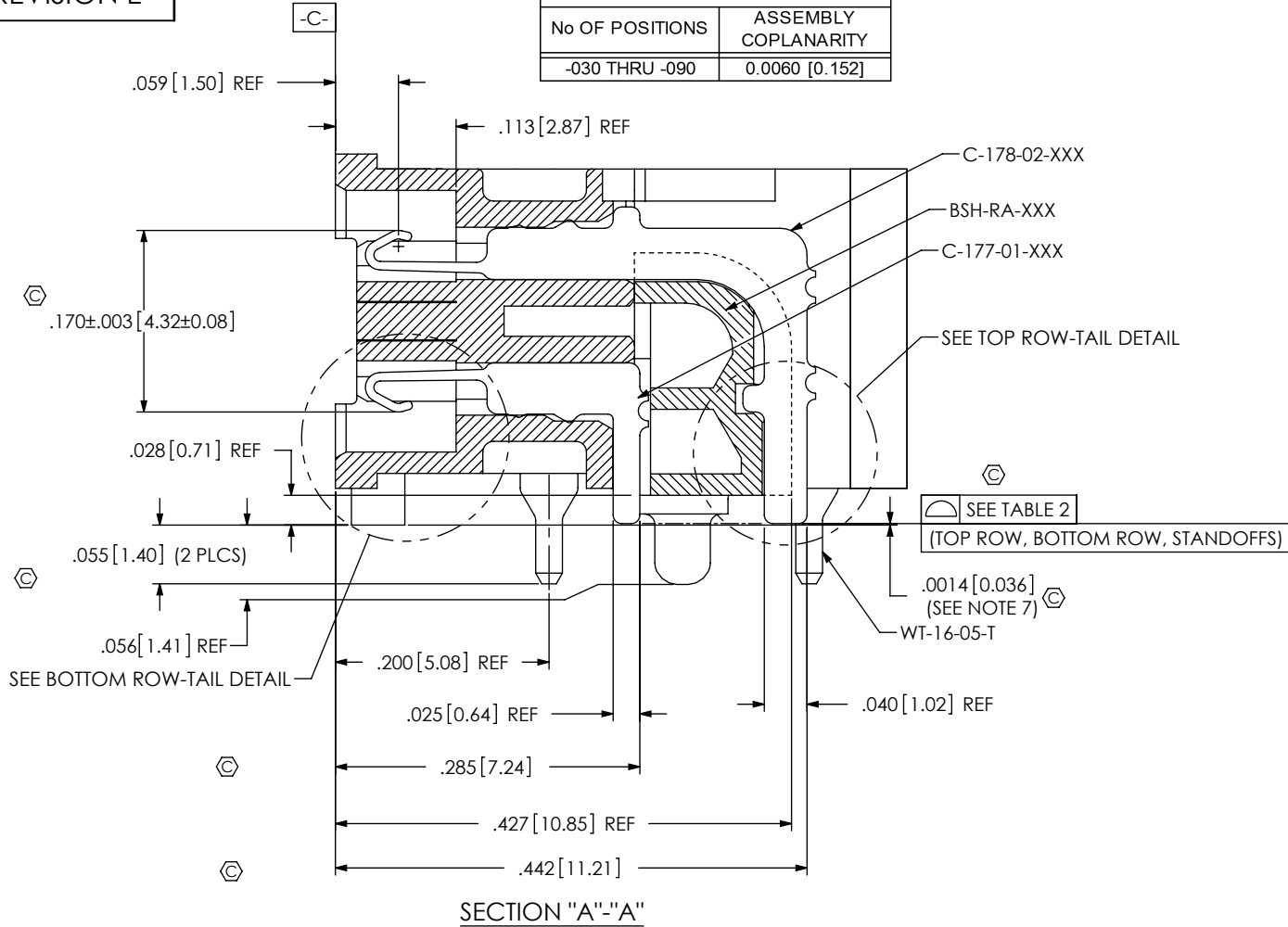
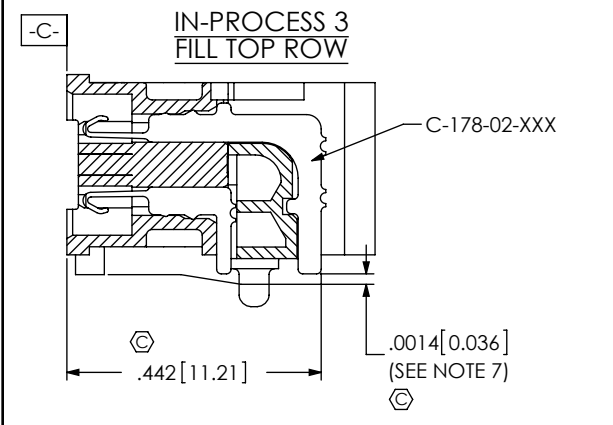
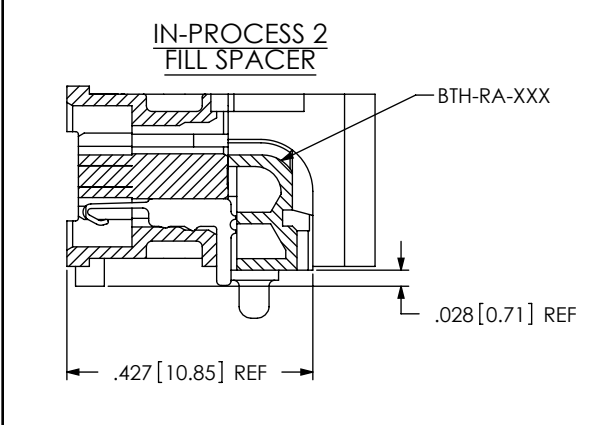
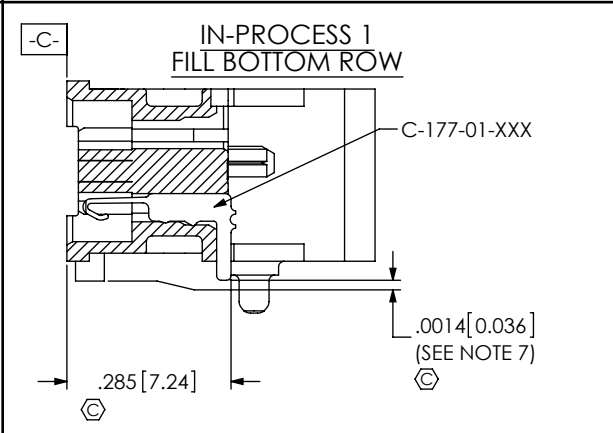
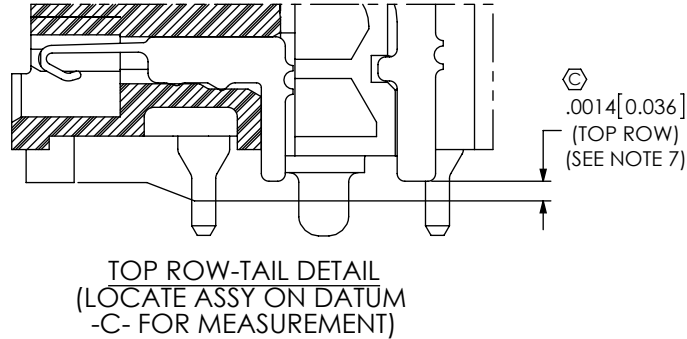
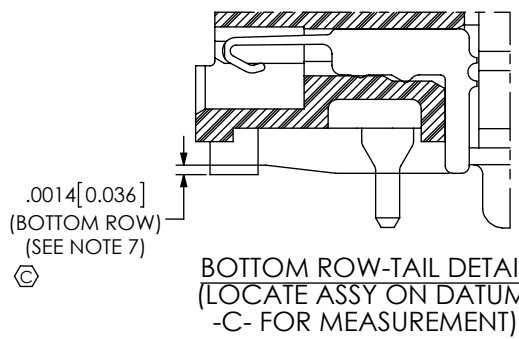


TABLE 2	
No OF POSITIONS	ASSEMBLY COPLANARITY
-030 THRU -090	0.0060 [0.152]



SECTION "A"-"A"



PROPRIETARY NOTE
 THIS DOCUMENT CONTAINS INFORMATION CONFIDENTIAL AND PROPRIETARY TO SAMTEC, INC. AND SHALL NOT BE REPRODUCED OR TRANSFERRED TO OTHER DOCUMENTS OR DISCLOSED TO OTHERS OR USED FOR ANY PURPOSE OTHER THAN THAT WHICH IT WAS OBTAINED WITHOUT THE EXPRESSED WRITTEN CONSENT OF SAMTEC, INC.

DO NOT SCALE DRAWING

SHEET SCALE: 6:1

samtec

520 PARK EAST BLVD, NEW ALBANY, IN 47150
 PHONE: 812-944-6733 FAX: 812-948-5047
 e-Mail: info@SAMTEC.com code 55322

DESCRIPTION:
 .50mm DOUBLE ROW RIGHT ANGLE SOCKET STRIP

DWG. NO.
BSH-XXX-XX-X-D-RA-WT-XXX

BY: KNOWLDEN 7/21/2011 | SHEET 2 OF 3

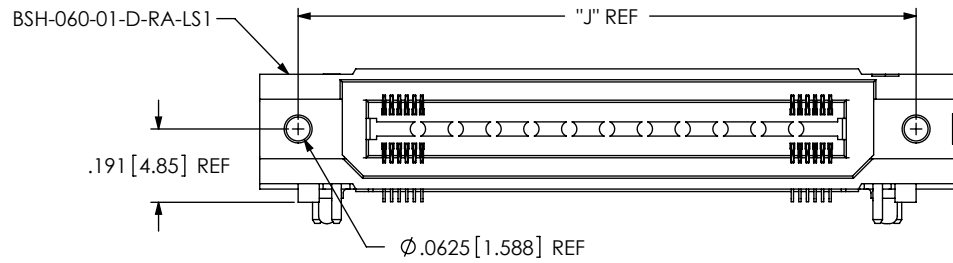
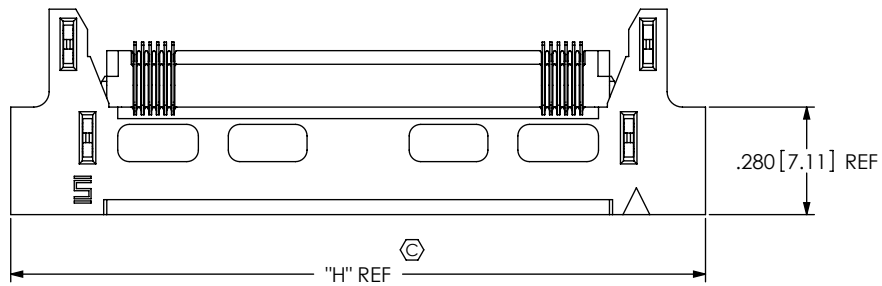


FIG 2
BSH-060-01-X-D-RA-LS1 SHOWN
(SAME AS FIG 1, EXCEPT AS SHOWN)
(NOT TOOLED)

NO OF POS	"H"	"J"
-30	1.219 [30.95]	1.019 [25.87]
-60	1.809 [45.96]	1.609 [40.88]
-90	2.400 [60.96]	2.200 [55.88]

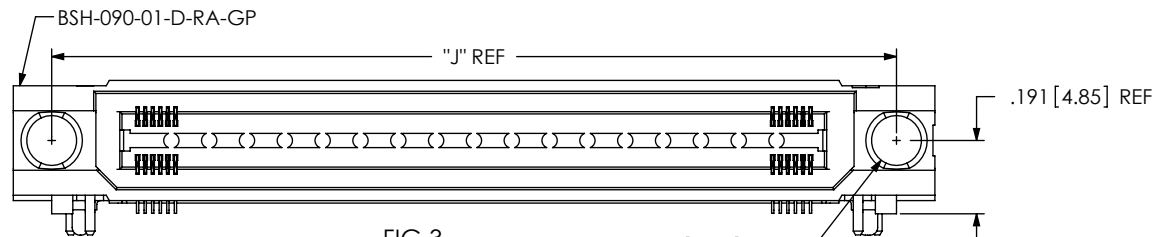
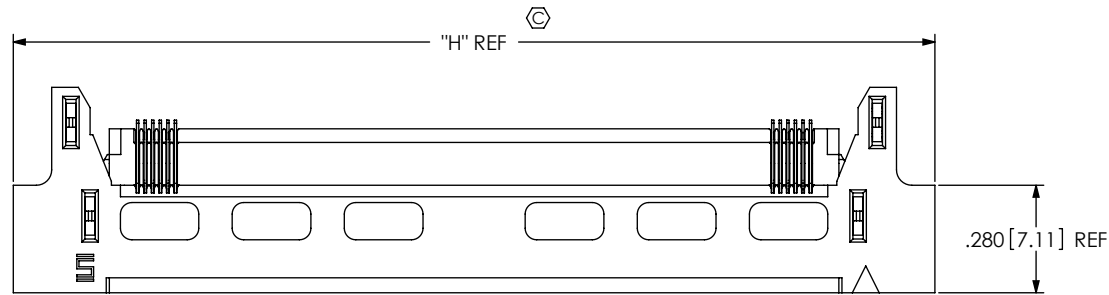


FIG 3
BSH-090-01-X-D-RA-WT-GP SHOWN
(SAME AS FIG 1, EXCEPT AS SHOWN)

PROPRIETARY NOTE
THIS DOCUMENT CONTAINS INFORMATION
CONFIDENTIAL AND PROPRIETARY TO
SAMTEC, INC. AND SHALL NOT BE REPRODUCED
OR TRANSFERRED TO OTHER DOCUMENTS OR
DISCLOSED TO OTHERS OR USED FOR ANY
PURPOSE OTHER THAN THAT WHICH IT WAS
OBTAINED WITHOUT THE EXPRESSED WRITTEN
CONSENT OF SAMTEC, INC.

DO NOT SCALE DRAWING

SHEET SCALE: 2:1



520 PARK EAST BLVD, NEW ALBANY, IN 47150
PHONE: 812-944-6733 FAX: 812-948-5047
e-Mail info@SAMTEC.com code 55322

DESCRIPTION:
.50mm DOUBLE ROW RIGHT ANGLE SOCKET STRIP
DWG. NO.
BSH-XXX-XX-X-D-RA-WT-XXX
BY: KNOWLDEN 7/21/2011 SHEET 3 OF 3